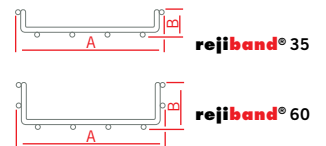
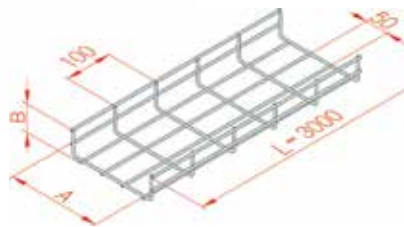
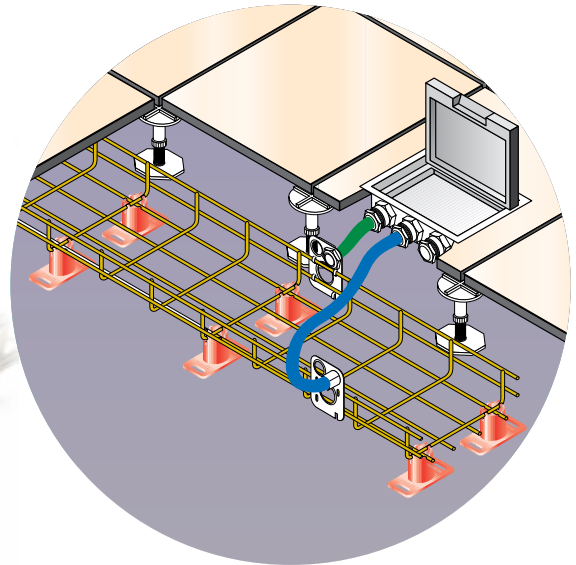


# rejiband® false floor

Wire Mesh Tray for managing and supporting underfloor cable installations.



**Patented safety edge.** Avoids damage to cables and injury to the installer.

It is lightweight providing maximum ventilation and cleanliness for the cables.

Provides high strength and flexibility.

Savings in material costs and labour.

DIM. AxB	rejiband® 35 and rejiband® 60					
	E.B.	E.G.	H.D.G.*	S.S. 304	S.S. 316	Pack Unit
	Reference	Reference	Reference	Reference	Reference	
60x35	60221060	60211060	60231060	60251060	60261060	24
100x35	60221100	60211100	60231100	60251100	60261100	24
150x35	60221150	60211150				24
200x35	60221200	60211200	60231200	60251200	60261200	18
300x35	60221300	60211300	60231300	60251300	60261300	18
400x35	60221400	60211400	60231400	60251400	60261400	12
60x60	60222060	60212060	60232060	60252060	60262060	24
100x60	60222100	60212100	60232100	60252100	60262100	24
150x60	60222150	60212150	60232150	60252150	60262150	24
200x60	60222200	60212200	60232200	60252200	60262200	18
300x60	60222300	60212300	60232300	60252300	60262300	12
400x60	60222400	60212400	60232400	60252400	60262400	6
450x60	60222450					6
500x60	60222500	60212500	60232500	60252500	60262500	6
600x60	60222600	60212600	60232600	60252600	60262600	6



## ADVANTAGES OF THE SYSTEM

- Fast and easy installation.
- Easy maintenance and identification of cables.
- Maximum cleaning and ventilation of the cables.
- Ensures a minimum 40mm distance off of the floor when installed with the floor foot.

## APPLICATION:

- Management and routing of underfloor electrical and data cables in Public Buildings, Offices, Data Processing Centres, Shopping Centres and Industrial facilities.

## Floor Foot (Reinforced)



Floor Foot		CLICK	REINFORCED
Plastic	Pack Unit		
Reference	Each		
68000060	Each		

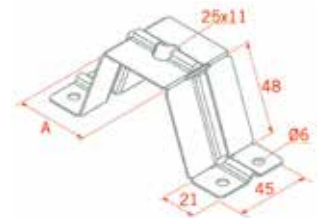
- Click fit for quick installation to **rejiband®**.
- Allows for a 40 mm floor clearance.
- 73mm clearance if two items are stacked.



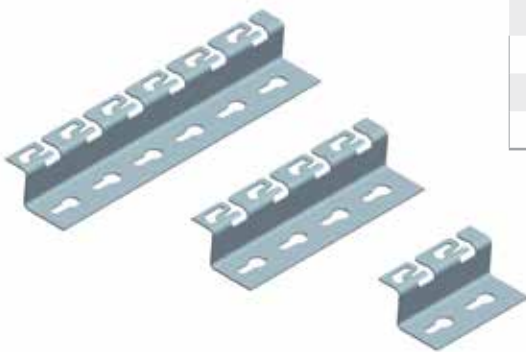
## Metal Foot



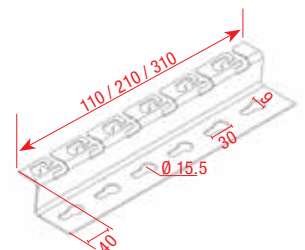
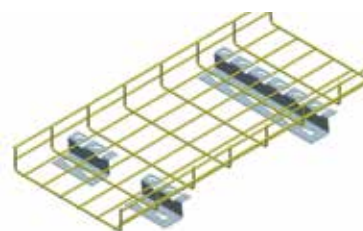
DIM. A	Metal Foot			CLICK	REINFORCED
	P.G.	H.D.G.*	Pack Unit		
	Reference	Reference			
45	67020020	67030020	10		
90	67020120	67030120	10		



## Stand off Bracket Click



DIM. A	Stand off Bracket Click				
	P.G.	H.D.G.*	S.S. 304	S.S. 316	Pack Unit
	Reference	Reference	Reference	Reference	
100	67020520	67030520	67050520	67060520	10
200	67020522	67030522	67050522	67060522	10
300	67020524	67030524	67050524	67060524	10



## Adhesive & Hardener A+B



Adhesive & Hardener A+B		CLICK	REINFORCED
Reference	Pack Unit		
68000066	Each		



- Suitable for fixing plastic foot to the floor.
- Comprises adhesive + hardener.
- **Contents:** enough for approx. 400 feet.

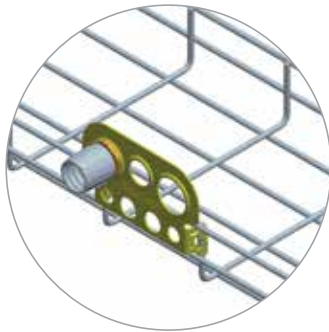
Bycro / E.B. Electrolytic Bichromate BS-EN ISO 2081  
E.G. Electrogalvanised BS-EN ISO 2081, available on request

P.G. Pre-galvanised BS-EN 10346  
H.D.G. Hot-dip galvanised BS-EN-ISO 1461

S.S. 304 Passivated stainless steel AISI 304  
S.S. 316 Passivated stainless steel AISI 316

(\* ) The hot dip galvanized finish is NOT AN ACCURATE AESTHETIC FINISH. It is a very effective corrosion protection. COLOUR DIFFERENCES CAN OCCUR (shades of grey), brightness and surface finish (roughness, smoothness), created during the process employed. This is normal and does NOT AFFECT THE QUALITY AND DURATION OF THE ANTI-CORROSION PROTECTION.

## Conduit Gland Bracket



Conduit Gland Bracket		
E.B.	E.G.	Pack Unit
Reference	Reference	
67020040	67010040	10

- Press fit.
- Hole Sizes:  
12mm  
16mm  
20mm  
25mm  
29mm
- Allows connection of flexible or rigid conduit.



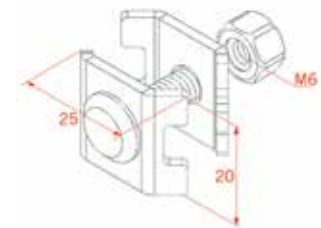
## rejiband® Earth Terminal



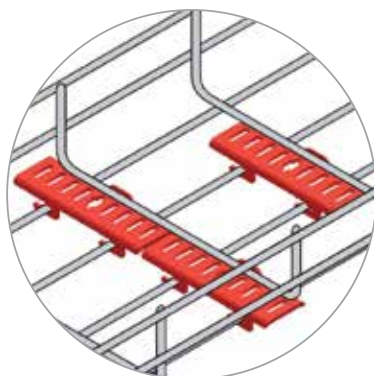
rejiband® Earth Terminal	
Brass	Pack Unit
Reference	Pack Unit
68000032	20

SUITABLE FOR CABLE SIZES 16-35 MM<sup>2</sup>

- Facilitates earthing of **rejiband®** trays.
- New design.
- Manufactured in brass.
- More economical. Less weight.



## rejiband® Fixing Support



rejiband® Fixing Support	
ABS	Pack Unit
Reference	Pack Unit
68000010	20



SUITABLE FOR VOICE, DATA AND FIBRE OPTIC INSTALLATIONS

- Especially suitable for fixing cable with Rejifix.
- Economical and reusable.
- The supports allow for adjacent installation.
- It requires no bolts or other fastenings for installation.
- Manufactured from a fire retardant plastic material.

