

Cable Management System, Supports and Accessories

Catalogue Ref: **149**



NEW PRODUCT
megaband[®]
Cable Ladder

Product Catalogue

Detailed information on the tray and support systems, brackets and the wide range of flexible conduits and accessories.



Visit our new website

www.pemsas-rejiband.com

Pemsas Corporate

Research & Development, Sales, Subsidiaries, Export.



News

Product and corporate news.

Downloads

On this page you will find all documents created by **pemsas**, Catalogues, Certificates, Documents etc.

Engineering Section

Focused on specialist support in resolving any issues in the use of trays and conduit systems in engineered projects.

pemsas has created a series of tools and documents to help installers and engineers to gain optimal technical information and descriptions of the goods **pemsas** can offer for engineering and construction projects.

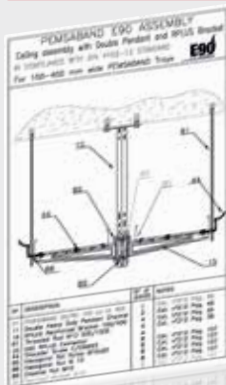


Pemsapro Calculation Software

Technical Data Sheet Specifications



CAD drawings



Items available in Presto



REBT Documentation



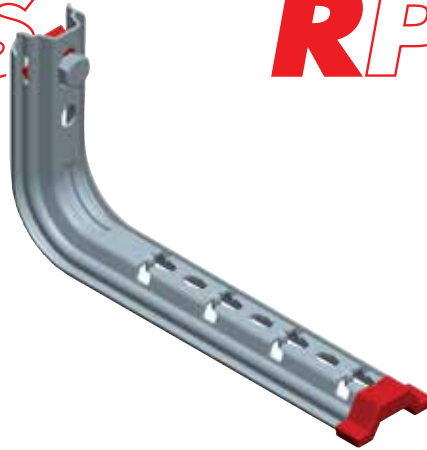
Cable Management System, Supports and Accessories

	2	News. New range of Omega Universal SPLUS and RPLUS Supports
	3	News. New range of rejiband ® Accessories
	4	Certifications and Approvals
	5	Leader advantages
rejiband ® System (Wire Mesh Trays)	6 - 7	rejiband ® Tray System
	8 - 15	rejiband ® Accessories
	16 - 18	rejiband ® False floor
rejitech ® System	19	rejitech ® Ceiling mounted tray
megaband ® System (Cable Ladder)	21	megaband ® System
	22	megaband ® Benefits and Features
	23	megaband ® Cable Ladder
	24 - 31	megaband ® Accessories
	32	Channel Support System and accessories for megaband ® Cable Ladder
pemsaband ® System (Perforated and Solid Metallic Trays)	33 - 37	pemsaband ® System
pemsaband ® Accessories	38 - 44	pemsaband ® Accessories
Supports and Structures	45 - 54	Supports Selection Guide
	55 - 59	Channel Systems and Fasteners
	60 - 61	Nuts, Bolts and Washers
Technical Information	64 - 65	Supporting Assemblies
	66 - 73	Fire Resistant installations. E90
	74	Tray system. Fire behaviour
	75	Surface protection against corrosion
	76 - 78	Installation Recommendations
	79	Other Products. Flexible Conduit System
	80 - 104	Product Reference Index
	105 - 106	Terms and Conditions of Sale



Omega Supports

SPLUS



Reinforced Supports

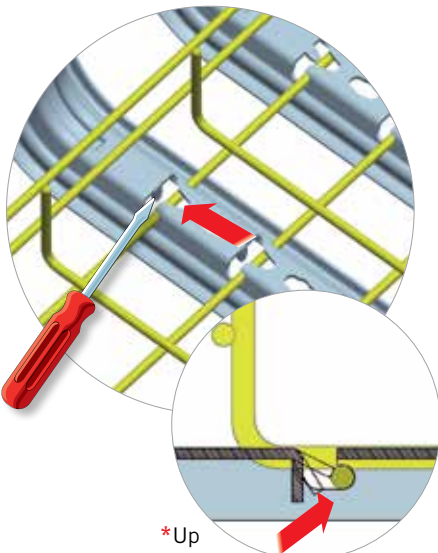
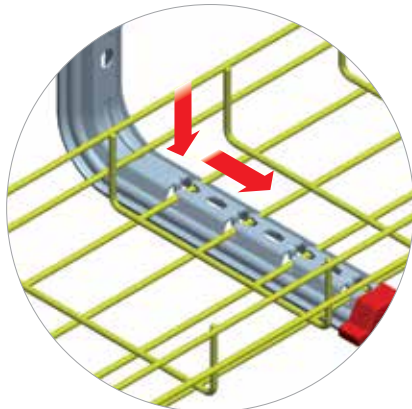
RPLUS



Distinct Advantages

- Compatible with all trays on the market: **rejiband**®, metal and PVC.
- 50% reduction in number of references. Savings in investment in stock. Savings in storage space. Better service and lower stock.
- New strengthened profile, 20% increase in mechanical performance.

SPLUS



*Up

Quick installation

Only two steps

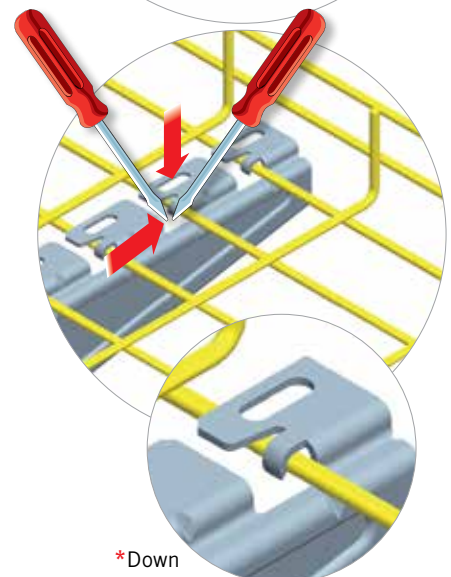
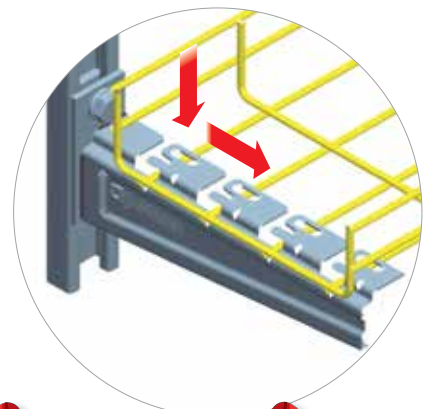
1

PLACE THE TRAY INTO THE SLOTS

2

BEND THE CLIPS WITH A TOOL*

RPLUS



*Down

NEWS

New **rejiband**® accessories

Quick installation

Save 80% on installation time



Fast Clip **rejiband**®



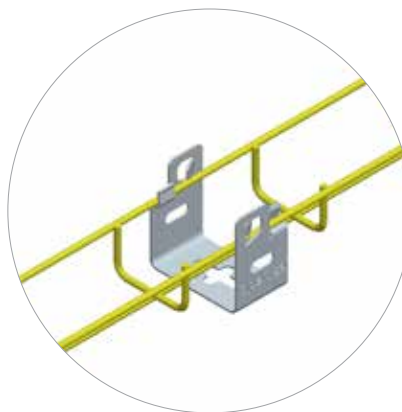
Easy and quick making of curves with **rejiband**®.



Base Support 60 **rejiband**®



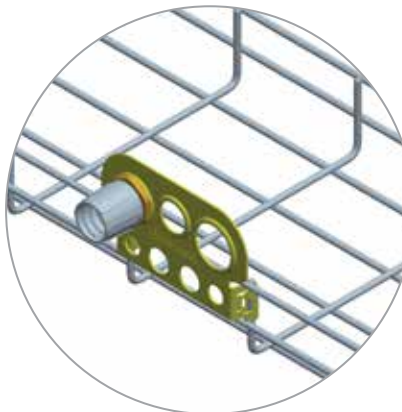
Suitable for the Installation of **rejiband**® 35x60 and 60x60.



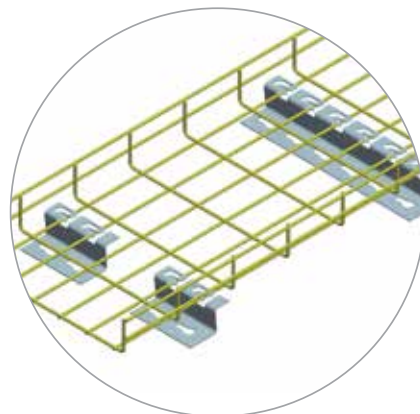
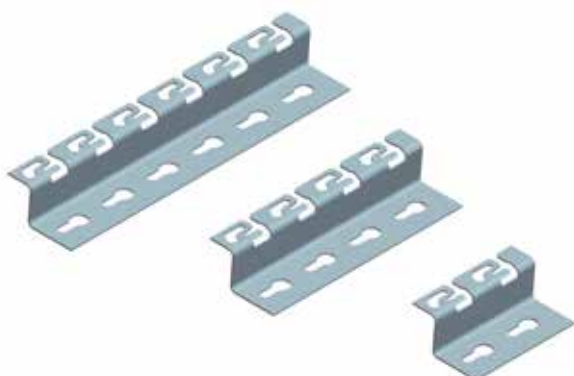
Conduit Gland Bracket



- Press fit.
- Hole Sizes:
 - 12mm
 - 16mm
 - 20mm
 - 25mm
 - 29mm
- Allows connection of flexible or rigid conduit.



Stand off Bracket Click



Approval from some of the toughest tests

The necessary international presence and the technical demands of the sector highlight our leadership position in a market that requires continuous contribution of new solutions, according to standards, certifications and more demanding requirements. Pemsa has thus obtained the following approvals:



AENOR N mark - Trays and supports

rejiiband® and **pemsaband**® are the only metal trays on the market that have achieved the N mark of AENOR. This certifies that the N marked **rejiiband**® and **pemsaband**® have exceeded the requirements of European standard UNE-EN-61537, "Cable Management - Cable Tray Systems and Cable Ladder Systems" which specifies the security, testing, technical features, etc., which the trays must meet.

N Certificate Rejiiband
030/002090

N Certificate Pemsaband
030/002096

N Certificate Supports
030/002089



AENOR N mark - Rigid conduits

Rigid metallic conduits, researched, developed and provided by Pemsa, have been certified by AENOR that they have passed compliance testing requirements and European standards UNE-EN 61386-1:2005 and UNEEN 61386-21:2005, which specifies the safety, testing, technical features, etc., to be met by conduits.

N Certificate Rigid Metal Conduits
030/002199



E90. Fire resistance

rejiiband® wire mesh tray has successfully exceeded the fire resistance tests defined by the German Standard DIN 4102-12 "Fire behaviour of building materials and elements, Fire resistance of electric cable systems required to maintain circuit integrity", by withstanding 1000 °C (1832°F) temperature for 90 minutes, thus obtaining the E90 certification.



UL Classified. Electrical Continuity guaranteed

This certification ensures, when using **rejiiband**® wire mesh tray, that the correct electrical continuity between trays exists which could, under certain circumstances, be used as a protective earth without using any additional protective conductor. Any protective conductor would connect all earthed points of an installation to the earth conductor, in order to eliminate the risks through indirect contact.



BYCRO finish in compliance with RoHS 2002/95/EC

Pemsa has removed all hexavalent chromium from their production processes, ensuring that their BYCRO **rejiiband**® finish complies with all of the latest environmental directives.

CUSTOMER SERVICE

Tel: **+34 91 802 34 99**

Fax: **+34 91 802 34 82**

@ export@pemsa-rejiband.com

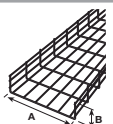

CUSTOMER SERVICE UK:

Tel: **0113 277 9090**

Fax: **0113 277 5939**

@ sales@pemsa.co.uk



pemsa	REJIBAND WIRE MESH TRAY	
	A 300 B 100	Acabado / Finish BYCRO
	6 m	60223300
		

Graphic Labels

Allows perfect identification of all elements of the **rejiband®** system.

- Facilitates storage.
- Allows product identification during the entire manufacturing process.
- Includes the following: 13-digit EAN bar code, reference number, the units it contains, type of finish and part dimensions.

Protective packaging

Allows perfect identification of all elements of the **rejiband®** system

- With heat-sealed film and identification label.
- It ensures maximum protection and perfect storage.

CE Marking

All products in this catalogue comply with CE directives.



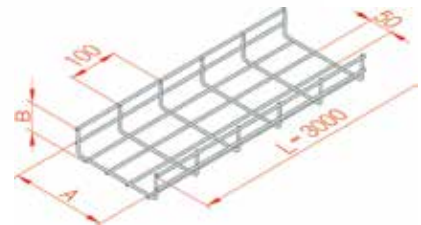
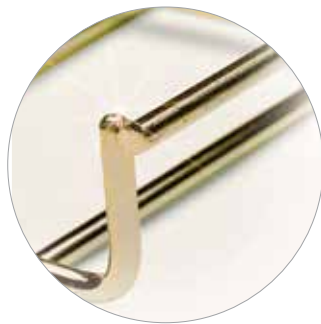
EAN Code

All products in this catalogue have been assigned their corresponding 13-digit, European bar code (EAN).



rejiband®

Welded rod metal tray, with safety edge, for the carrying of electrical and telecommunications wiring.



Patented safety edge. Avoids damage to cables and injury to the installer. It is lightweight providing maximum ventilation and cleanliness for the cables. Provides high strength and flexibility. Savings in material costs and labour.

DIM. AxB	rejiband®					
	Bycro	E.G.	H.D.G.*	Rod diameter (mm)	Loading values* (kg)	Pack Unit
	Reference	Reference	Reference			
60x35	60221060	60211060	60231060	4.0	27	24
100x35	60221100	60211100	60231100	4.0	27	24
150x35	60221150	60211150	60231150	4.5	27	24
200x35	60221200	60211200	60231200	4.5	27	18
300x35	60221300	60211300	60231300	4.5	28	18
400x35	60221400	60211400	60231400	4.5	34	12
60x60	60222060	60212060	60232060	4.0	34	24
100x60	60222100	60212100	60232100	4.0	47	24
150x60	60222150	60212150	60232150	4.5	48	24
200x60	60222200	60212200	60232200	4.5	48	18
300x60	60222300	60212300	60232300	5.0	75	12
400x60	60222400	60212400	60232400	5.0	78	6
450x60	60222450			5.0	90	6
500x60	60222500	60212500	60232500	5.0	96	6
600x60	60222600	60212600	60232600	5.0	107	6
100x100	60223100	60213100	60233100	5.0	95	12
150x100	60223150	60213150	60233150	5.0	95	6
200x100	60223200	60213200	60233200	5.0	95	6
300x100	60223300	60213300	60233300	5.0	106	6
400x100	60223400	60213400	60233400	5.0	106	6
500x100	60223500	60213500	60233500	5.0	150	6
600x100	60223600	60213600	60233600	5.0	137	6



* kg/m at 1.5m support distance.

Applications:

- Management and distribution of electrical and telecommunications wiring for Civil Works Facilities, Tunnels, Public Buildings, Shopping Centres, Hospitals, Major Infrastructures, Airports, Underground Transport, Railways, etc.
- Industrial facilities sectors. Naval applications, Petrochemical, Textile, Chemical and Food.
- Especially suitable for photovoltaic (PV) systems, Wind, Energy Industry, Renewable Energy.

Corrosion Resistance of the finishes according to BS-EN 61537:			
Finish	Meets	Hours resistance	Applications
Bycro	5	450	High protection for indoor installation.
E.G.	3	190	Indoor contaminant-free.
H.D.G.*	7	660	Outside in aggressive or wet conditions. Industrial plants, polluted and coastal areas.
S.S. 304	9C	> 850	Outdoor facilities, the food industry.
S.S. 316 L	9D	> 850	High security facilities, marine, industrial and aggressive indoor installations.

ADVANTAGES

ANOR QUALITY GUARANTEED AT THE MOST COMPETITIVE PRICE

COMPARE AND **INSTALL rejiband®**

SAVINGS

30% MATERIAL COMPARED TO TRADITIONAL SHEET STEEL TRAYS

50% TIME OF INSTALLATION

rejiband®					
S.S. 304	S.S. 316 L	Rod diameter (mm)	Loading values (kg)	Pack Unit	
Reference	Reference				
60251060	60261060	4.0	25	24	
60251100	60261100	4.0	25	24	
60251200	60261200	4.5	25	18	
60251300	60261300	4.5	25	18	
60251400	60261400	4.5	30	12	
60252060	60262060	4.0	26	24	
60252100	60262100	4.0	35	24	
60252150	60262150	4.5	35	24	
60252200	60262200	4.5	38	18	
60252300	60262300	4.5	40	12	
60252400	60262400	4.5	41	6	
60252500	60262500	4.5	52	6	
60252600	60262600	4.5	64	6	
60253100	60263100	4.5	55	12	
60253150	60263150	4.5	55	6	
60253200	60263200	4.5	59	6	
60253300	60263300	4.5	61	6	
60253400	60263400	4.5	70	6	
60253500	60263500	4.5	66	6	
60253600	60263600	4.5	59	6	

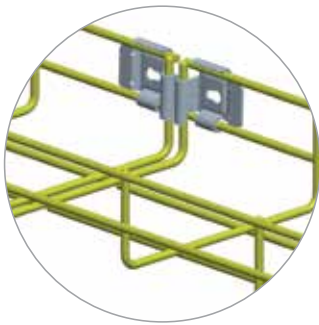
Bycro / E.B. Electrolytic Bichromate BS-EN ISO 2081
E.G. Electrogalvanised BS-EN ISO 2081, available on request

P.G. Pre-galvanised BS-EN 10346
H.D.G. Hot-dip galvanised BS-EN-ISO 1461

S.S. 304 Passivated stainless steel AISI 304
S.S. 316 Passivated stainless steel AISI 316

(* The hot dip galvanised finish is NOT AN ACCURATE AESTHETIC FINISH. It is a very effective corrosion protection. COLOUR DIFFERENCES CAN OCCUR (shades of grey), brightness and surface finish (roughness, smoothness), created during the process employed. This is normal and does NOT AFFECT THE QUALITY AND DURATION OF THE ANTI-CORROSION PROTECTION.

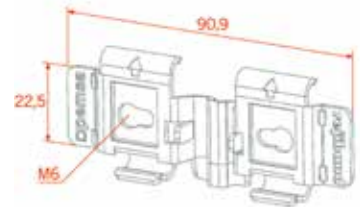
Fast Click Joint



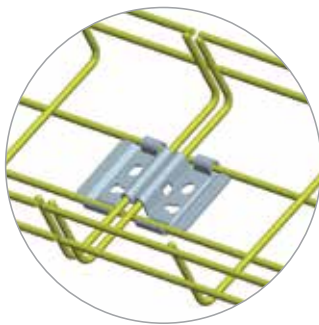
Width	No. of connectors	Fast Click Joint			
		Bycro	E.G.	H.D.G.*	Pack Unit
		Reference	Reference	Reference	
060	2	64020035	64010035	64030035	50
100	2				
150	2				
200	2				
300	2				
400	2				
450	2				
500	2				
600	2				

NEW

- Quick Fitting. 80% savings in installation time.
- No bolts or special tools required.
- Electrical continuity guaranteed.
- Suitable for use with all widths of **rejiband®** in 60 and 100 depths only.
- The number of recommended connectors, per tray joint, is shown in the table.
- Security tabs should be locked with a screwdriver.



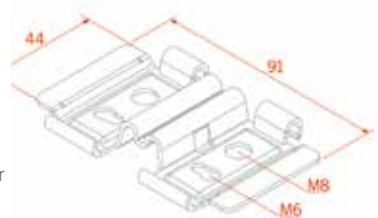
Fast Click Base Joint



Width	No. of connectors	Fast Click Base Joint			
		Bycro	E.G.	H.D.G.*	Pack Unit
		Reference	Reference	Reference	
060	0	64020036	64010036	64030036	10
100	0				
150	0				
200	0				
300	1				
400	1				
450	2				
500	2				
600	2				

NEW

- Quick Fitting.
- No bolts or special tools required.
- Electrical continuity guaranteed.
- Suitable for use with **rejiband®** in 60 and 100 depths only and all widths except 60.
- Must be used in conjunction with Fast Click Joint.
- The number of recommended connectors, per tray joint, is shown in the table.
- Security tabs should be locked with a screwdriver.



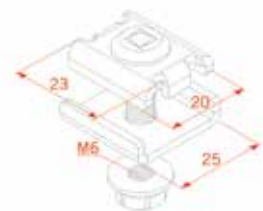
Reinforced Joint Clamp



Width	No. of connectors	Reinforced Joint Clamp				Pack Unit
		E.B.	E.G.	H.D.G.*	S.S. 316	
		Reference	Reference	Reference	Reference	
060	2	64020061	64010061	64030061	64060061	50
100	2					
150	2					
200	2+1					
300	2+1					
400	2+2					
450	2+2					
500	2+2					
600	2+2					

JUST 3 PARTS!

- Captive bolt.
- Simplifies assembly.
- 20% improvement in mechanical performance.
- The number of recommended connectors, per tray joint, is shown in the table.

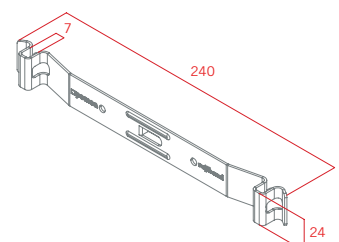


Click Connector



Width	No. of connectors	Click Connector			
		E.B.	E.G.	H.D.G.*	Pack Unit
		Reference	Reference	Reference	
060	2	64020030	64010020	64030030	25
100	2				
150	2				
200	2+1				
300	2+1				
400	2+2				
450	2+2				
500	2+2				
600	2+2				

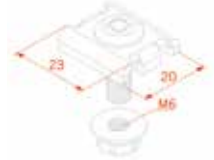
- Suitable for all depths of **rejiband®**.
- Quick fitting.
- No bolts.
- No special tools.
- Electrical continuity guaranteed.
- Security tabs should be locked with a screwdriver.
- The number of recommended connectors, per tray joint, is shown in the table.



Part Clamp



DIM	Part Clamp				
	E.B.	E.G.	H.D.G.*	S.S. 316	Pack Unit
	Reference	Reference	Reference	Reference	
M6x20	64020060	64010060	64030060	64060060	50
M6x30			64030160		50

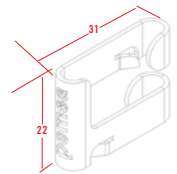


- Suitable for connection to **rejiband**® supports and other accessories.
- The code 64030160 is the correct fixing for attaching the Omega E90 connector 62031090 to the Omega SPLUS brackets.

Fast Clip **rejiband**®



Fast Clip rejiband ®			
E.B.	E.G.	H.D.G.*	Pack Unit
Reference	Reference	Reference	Reference
64020072	64010072	64030072	50

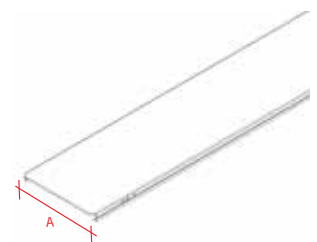


- Easy and quick making of curves with **rejiband**®.

Cover



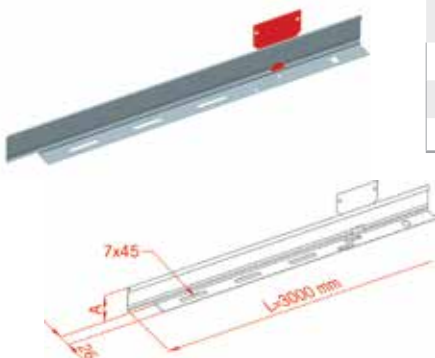
DIM. A	Cover				
	P.G.	H.D.G.*	S.S. 304	S.S. 316	Pack Unit
	Reference	Reference	Reference	Reference	
60	73021060	73031060	73051060	73061060	8
100	73021100	73031100	73051100	73061100	8
150	73021150	73031150	73051150	73061150	4
200	73021200	73031200	73051200	73061200	4
300	73021300	73031300	73051300	73061300	2
400	73021400	73031400	73051400	73061400	2
500	73021500	73031500	73051500	73061500	2
600	73021600	73031600	73051600	73061600	2



3M LENGTH

- Click Fit
- Security side tabs fix to the rods.
- These tabs prevent sliding of the covers in vertical installations.

Click Divider



DIM. A	Click Divider			
	P.G.	H.D.G.*	S.S. 316	Pack Unit
	Reference	Reference	Reference	
25	67020610	67030610	67060610	20
50	67020611	67030611	67060611	16
80	67020612	67030612	67060612	12

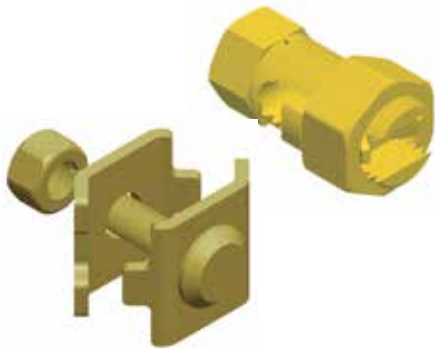



3M LENGTH

- Faster fitting thanks to the Click system.
- Economical. No additional fixings required when fitting to **rejiband**®.

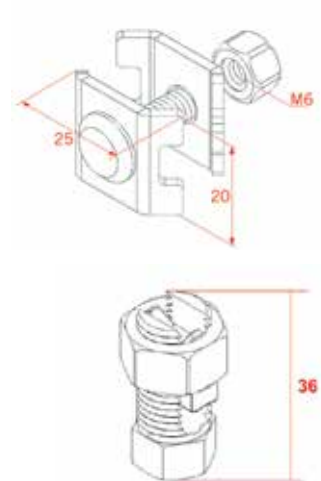
(*) The hot dip galvanized finish is NOT AN ACCURATE AESTHETIC FINISH. It is a very effective corrosion protection. COLOUR DIFFERENCES CAN OCCUR (shades of grey), brightness and surface finish (roughness, smoothness), created during the process employed. This is normal and does NOT AFFECT THE QUALITY AND DURATION OF THE ANTI-CORROSION PROTECTION.

rejiband® Earth Terminal




rejiband® Earth Terminal		
Brass		
Cables (mm²)	Reference	Pack Unit
16-35	68000032	20
35-50	68000033	20

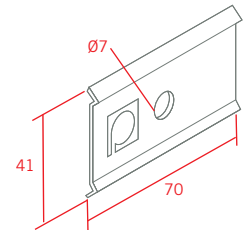
- Facilitates earthing of **rejiband®** trays.
- New design.
- Manufactured in brass.
- More economical. Less weight.



Side Joint Plate




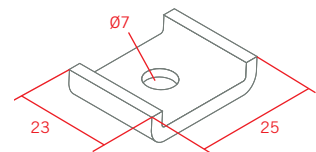
Side Joint Plate				
E.B.	E.G.	H.D.G.*	S.S. 316	
Reference	Reference	Reference	Reference	Pack Unit
64020041	64010041	64030041	64060041	50



Connector Plate




Connector Plate				
E.B.	E.G.	H.D.G.*	S.S. 316	
Reference	Reference	Reference	Reference	Pack Unit
64020062	64010062	64030062	64060062	50



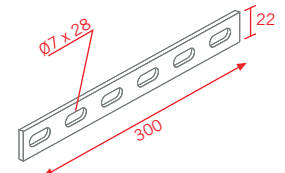
Splice Plate

(Used to create bends etc.)



Splice Plate				
E.B.	E.G.	H.D.G.*	S.S. 316	
Reference	Reference	Reference	Reference	Pack Unit
67020053	67010053	67030047	67060053	10


- Suitable for joining straight sections of **rejiband®** as well as for creating bends and other accessories.



rejiband® pemsa band® Coupler



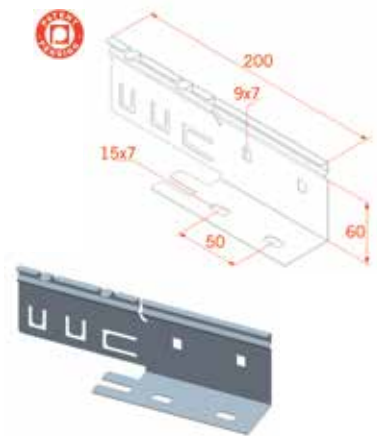
rejiband® pemsa band® Coupler

P.G.	H.D.G.*	
Reference	Reference	Pack Unit
70120200	70130200	Each

Contents: Each package contains two parts.
One for each flange.



- Special Coupler for joining together **rejiband®** and **pemsa band®**.



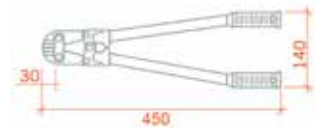
Bolt Croppers

(asymmetrical cut)

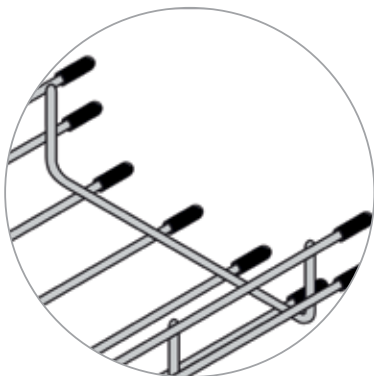



Bolt Croppers	
Reference	Pack Unit
68000058	Each

- Suitable for cutting the rods of **rejiband®** Tray, due to the asymmetrical cut.



Wire End Cap




Wire End Cap	
Reference	Pack Unit
68000049	100

- Facilitates protection from the cut ends of the rods.



Zinc Paint Spray



Zinc Paint Spray	
Reference	Pack Unit
68000052	Each

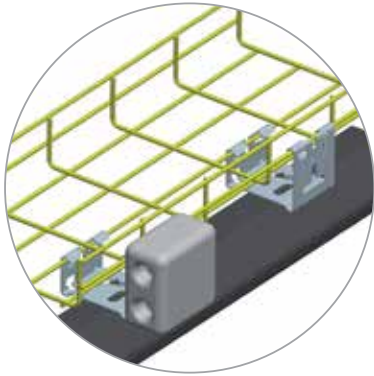
Contents: 400 ml

- Recommended for protecting the finish of the trays after cutting.



(*) The hot dip galvanized finish is NOT AN ACCURATE AESTHETIC FINISH. It is a very effective corrosion protection. COLOUR DIFFERENCES CAN OCCUR (shades of grey), brightness and surface finish (roughness, smoothness), created during the process employed. This is normal and does NOT AFFECT THE QUALITY AND DURATION OF THE ANTI-CORROSION PROTECTION.

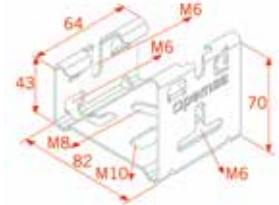
Luminaire and Box Support



Luminaire and Box Support			
E.B.	E.G.	H.D.G.*	Pack Unit
Reference	Reference	Reference	
67020030	67010030	67030030	8



- Suitable for **rejiband®** 35 and 60 flange heights and all widths except for 60, 150 and 450.



rejiband® Box Support



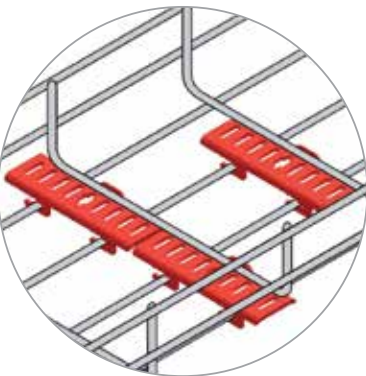
rejiband® Box Support	
Plastic	Pack Unit
Reference	
68000040	20



- Using the click system, enables the rapid installation of junction boxes to the flange of **rejiband®**.



rejiband® Fixing Support

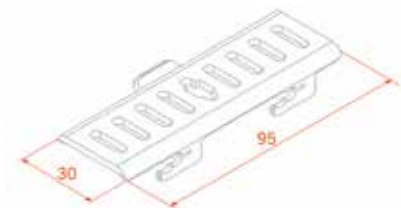


rejiband® Fixing Support	
ABS	Pack Unit
Reference	
68000010	20

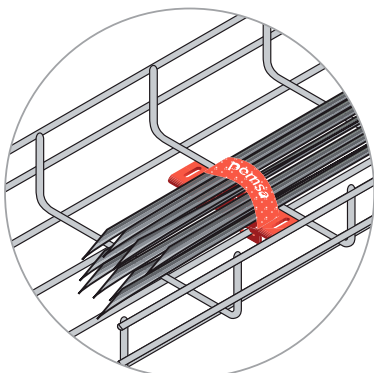


SUITABLE FOR VOICE, DATA AND FIBRE OPTIC INSTALLATIONS

- Especially suitable for fixing cable with Rejifix.
- Economical and reusable.
- The supports allow for adjacent installation.
- It requires no bolts or other fastenings for installation.
- Manufactured from a fire retardant plastic material.



Rejifix



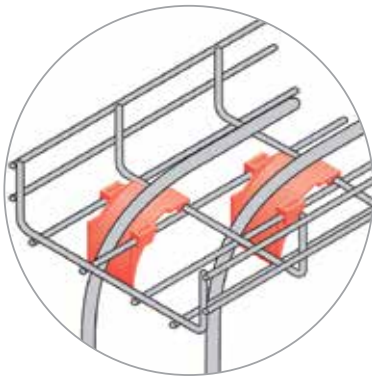
Rejifix	Pack Unit
Reference	
89011000	25

Package: 1 Roll 25 m.

- Re-usable "Velcro" type tape to connect cables to the fixing supports.

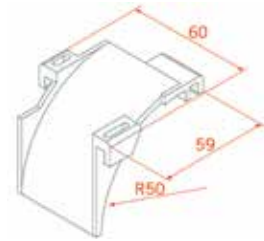


Data Outlet

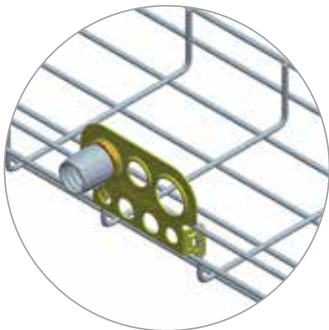


Data Outlet	
Plastic	
Reference	Pack Unit
67020039	10

- Press fit.
- Ensures the correct curve is maintained when exiting **rejiband®** with data or fibre optic cables.



Conduit Gland Bracket

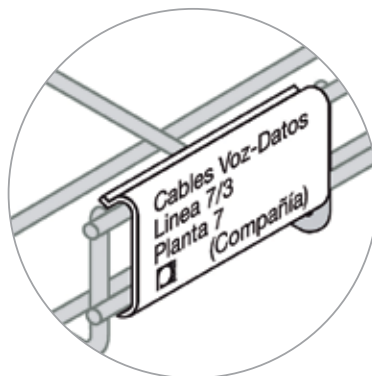


Conduit Gland Bracket		
E.B.	E.G.	
Reference	Reference	Pack Unit
67020040	67010040	10

- Press fit.
- Hole Sizes: 12mm, 16mm, 20mm, 25mm, 29mm
- Allows connection of flexible or rigid conduit.



Identification Plate

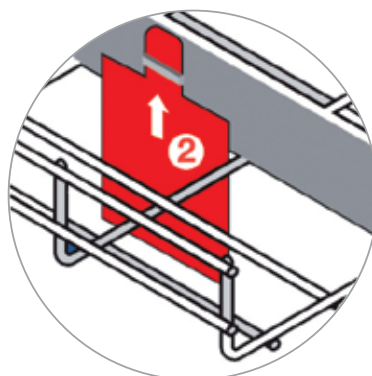


Identification Plate	
Plastic	
Reference	Pack Unit
89010000	50

- No text - for marking by the user.



Identification Label



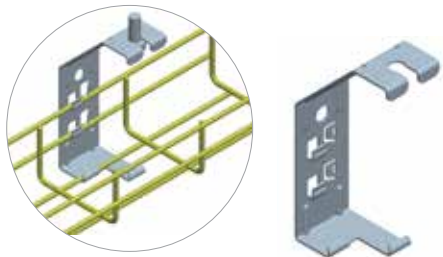
Identification Label	
Plastic	
Reference	Pack Unit
68000020	50

- For attaching to divider.
- Allows for identification of the different circuits of the cables.

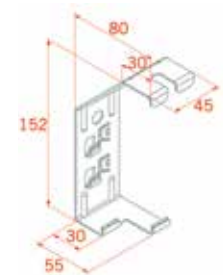


(*) The hot dip galvanized finish is NOT AN ACCURATE AESTHETIC FINISH. It is a very effective corrosion protection. COLOUR DIFFERENCES CAN OCCUR (shades of grey), brightness and surface finish (roughness, smoothness), created during the process employed. This is normal and does NOT AFFECT THE QUALITY AND DURATION OF THE ANTI-CORROSION PROTECTION.

Light Duty Ceiling Support



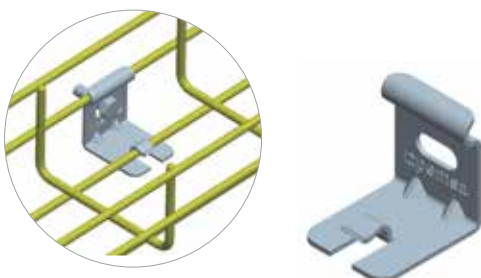
Light Duty Ceiling Support				CLICK	NEW
Bycro	E.G.	H.D.G.*	Pack Unit		
Reference	Reference	Reference			
62026020	62016020	62036020	36		



EASY INSTALL.

- Suitable for **rejiband®** 35 and 60 flange. 60, 100 and 150 wide. Except for 35x60.

Light Duty Wall Support



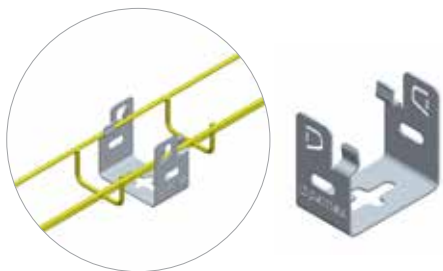
Light Duty Wall Support				CLICK	NEW
Bycro	E.G.	H.D.G.*	Pack Unit		
Reference	Reference	Reference			
62026021	62016021	62036021	25		



EASY INSTALL.

- Suitable for **rejiband®** 35x60, 35x100 and 60x100.

Base Support 60 rejiband®



Base Support 60 rejiband®				
Bycro	E.G.	H.D.G.*	S.S. 316	Pack Unit
Reference	Reference	Reference	Reference	
62026022	62016022	62036022	62066022	25

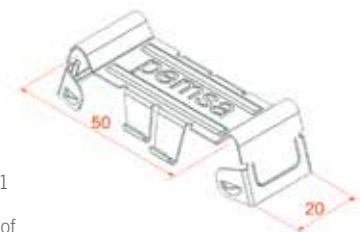
- Suitable for the installation of **rejiband®** 35x60 and 60x60.



Channel Strut Clip (Stainless Steel)

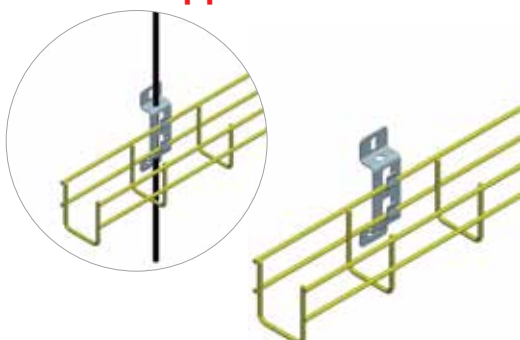


Channel Strut Clip		CLICK	NEW
S.S. 316	Pack Unit		
Reference			
67060050	100		



- Allows quick installation to 41x21 or 41x41 channel.
- Compatible with all of the leading brands of Channel.
- Can be used with all sizes of **rejiband®** except 35x60 and 60x60.

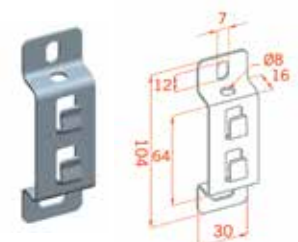
Side Support 60



Side Support 60					CLICK	NEW
E.B.	E.G.	H.D.G.*	S.S. 316	Pack Unit		
Reference	Reference	Reference	Reference			
62021060	62011060	62031060	62061060	25		

ESSENTIAL FOR 60X60 **rejiband®**

- For fixing **rejiband®** 60x60 to the wall or suspending on a rod.
- Can also be used in pairs for suspending wider widths of tray on rods.



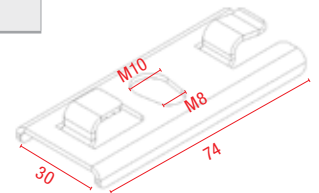
Click Central Suspension



DIM. A	Click Central Suspension				
	E.B.	E.G.	H.D.G.*	S.S. 316	Pack Unit
	Reference	Reference	Reference	Reference	
M6	67020143	67010143	67030143	67060143	20
M8/M10	67020043	67010043	67030043	67060043	20

ONLY 1 PART REQUIRED ALONG WITH 2 NUTS!

- Suitable for quick installation to **rejaband**® when suspending with threaded rod.
- Cannot be used with 35x60 or 60x60.



Central Hanging Plate



DIM. A	Central Hanging Plate				
	E.G.	E.B.	H.D.G.*	S.S. 316	Pack Unit
	Reference	Reference	Reference	Reference	
M6	67010144				20
M8-M10	67010046	67020046	67030046	67060046	20



- Suitable, used in pairs, for suspending **rejaband**® with threaded rod or used singly as a channel clamp.
- Cannot be used with **rejaband**® 35x60 or 60x60.

Threaded Rod M6/M8/M10



DIM. A & B	Threaded Rod M6/M8/M10			
	E.B.	E.G.	S.S. 316	Pack Unit
	Reference	Reference	Reference	
M6x500	67020140	67010140		50
M6x1000	67020141	67010141	67060141	50
M8x500	67020044		67060044	50
M8x1000	67020045		67060045	50
M10x1000	67020145		67060145	50



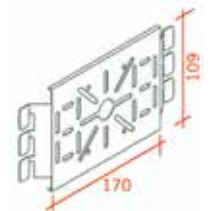
EXPANDED RANGE

Universal Bracket rejaband®



Universal Bracket rejaband®				
P.G.	H.D.G.*	S.S. 316	Pack Unit	
Reference	Reference	Reference		
62026011	62036011	62066011	10	

- For installing boxes, use M5 bolts.
- Suitable for wall mounting **rejaband**® or attaching accessories to the trays.

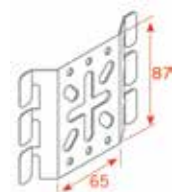


Mini Universal Bracket



Mini Universal Bracket			
P.G.	H.D.G.*	S.S. 316	Pack Unit
Reference	Reference	Reference	
62026010	62036010	62066010	10

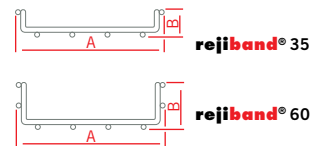
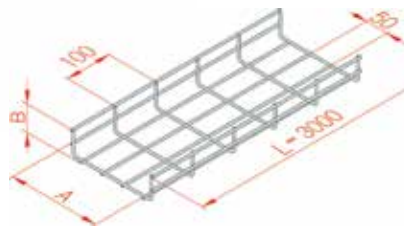
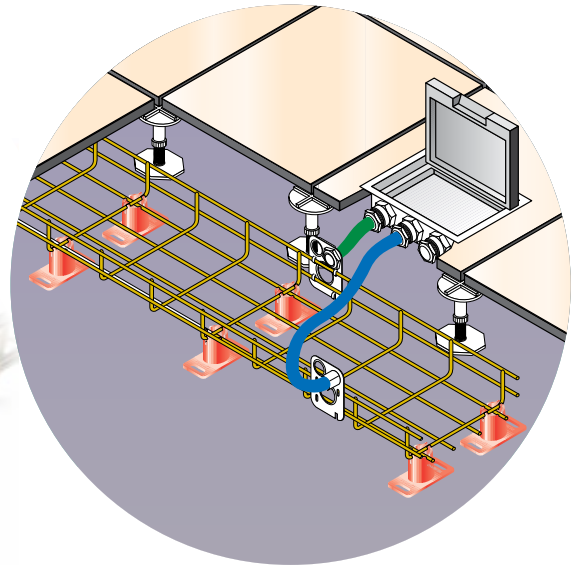
- For installing boxes, use M5 bolts.
- Suitable for wall mounting **rejaband**® or attaching accessories to the trays.



(*) The hot dip galvanized finish is NOT AN ACCURATE AESTHETIC FINISH. It is a very effective corrosion protection. COLOUR DIFFERENCES CAN OCCUR (shades of grey), brightness and surface finish (roughness, smoothness), created during the process employed. This is normal and does NOT AFFECT THE QUALITY AND DURATION OF THE ANTI-CORROSION PROTECTION.

rejiband® false floor

Wire Mesh Tray for managing and supporting underfloor cable installations.



Patented safety edge. Avoids damage to cables and injury to the installer.

It is lightweight providing maximum ventilation and cleanliness for the cables.

Provides high strength and flexibility.

Savings in material costs and labour.

DIM. AxB	rejiband® 35 and rejiband® 60					
	E.B.	E.G.	H.D.G.*	S.S. 304	S.S. 316	Pack Unit
	Reference	Reference	Reference	Reference	Reference	
60x35	60221060	60211060	60231060	60251060	60261060	24
100x35	60221100	60211100	60231100	60251100	60261100	24
150x35	60221150	60211150				24
200x35	60221200	60211200	60231200	60251200	60261200	18
300x35	60221300	60211300	60231300	60251300	60261300	18
400x35	60221400	60211400	60231400	60251400	60261400	12
60x60	60222060	60212060	60232060	60252060	60262060	24
100x60	60222100	60212100	60232100	60252100	60262100	24
150x60	60222150	60212150	60232150	60252150	60262150	24
200x60	60222200	60212200	60232200	60252200	60262200	18
300x60	60222300	60212300	60232300	60252300	60262300	12
400x60	60222400	60212400	60232400	60252400	60262400	6
450x60	60222450					6
500x60	60222500	60212500	60232500	60252500	60262500	6
600x60	60222600	60212600	60232600	60252600	60262600	6

For further information about this product, see pages 6 and 7.



ADVANTAGES OF THE SYSTEM

- Fast and easy installation.
- Easy maintenance and identification of cables.
- Maximum cleaning and ventilation of the cables.
- Ensures a minimum 40mm distance off of the floor when installed with the floor foot.

APPLICATION:

- Management and routing of underfloor electrical and data cables in Public Buildings, Offices, Data Processing Centres, Shopping Centres and Industrial facilities.

Floor Foot (Reinforced)



Floor Foot		CLICK	REINFORCED
Plastic	Pack Unit		
Reference	Each		
68000060	Each		

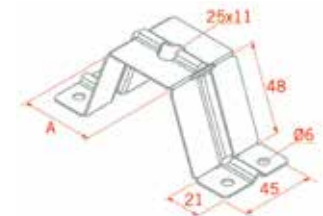
- Click fit for quick installation to **rejjiband®**.
- Allows for a 40 mm floor clearance.
- 73mm clearance if two items are stacked.



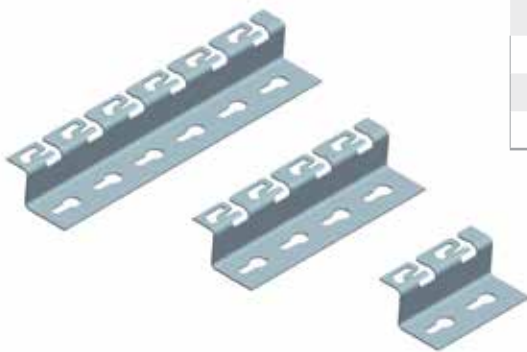
Metal Foot



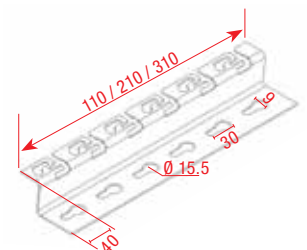
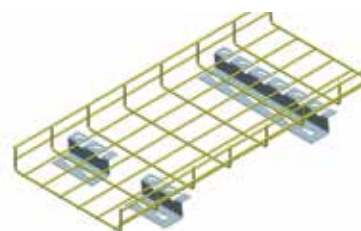
DIM. A	Metal Foot			CLICK	REINFORCED
	P.G.	H.D.G.*	Pack Unit		
	Reference	Reference			
45	67020020	67030020	10		
90	67020120	67030120	10		



Stand off Bracket Click



DIM. A	Stand off Bracket Click				
	P.G.	H.D.G.*	S.S. 304	S.S. 316	Pack Unit
	Reference	Reference	Reference	Reference	
100	67020520	67030520	67050520	67060520	10
200	67020522	67030522	67050522	67060522	10
300	67020524	67030524	67050524	67060524	10



Adhesive & Hardener A+B



Adhesive & Hardener A+B		CLICK	REINFORCED
Reference	Pack Unit		
68000066	Each		



- Suitable for fixing plastic foot to the floor.
- Comprises adhesive + hardener.
- **Contents:** enough for approx. 400 feet.

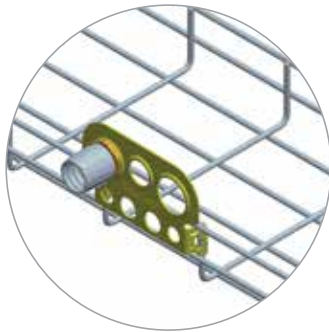
Bycro / E.B. Electrolytic Bichromate BS-EN ISO 2081
E.G. Electrogalvanised BS-EN ISO 2081, available on request

P.G. Pre-galvanised BS-EN 10346
H.D.G. Hot-dip galvanised BS-EN-ISO 1461

S.S. 304 Passivated stainless steel AISI 304
S.S. 316 Passivated stainless steel AISI 316

(*) The hot dip galvanized finish is NOT AN ACCURATE AESTHETIC FINISH. It is a very effective corrosion protection. COLOUR DIFFERENCES CAN OCCUR (shades of grey), brightness and surface finish (roughness, smoothness), created during the process employed. This is normal and does NOT AFFECT THE QUALITY AND DURATION OF THE ANTI-CORROSION PROTECTION.

Conduit Gland Bracket



rejiband® Conduit Gland Bracket		
E.B.	E.G.	Pack Unit
Reference	Reference	
67020040	67010040	10

- Press fit.
- Hole Sizes:
12mm
16mm
20mm
25mm
29mm
- Allows connection of flexible or rigid conduit.



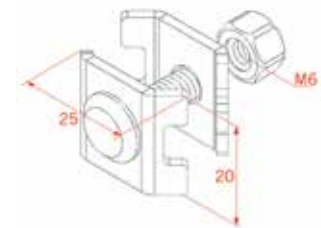
rejiband® Earth Terminal



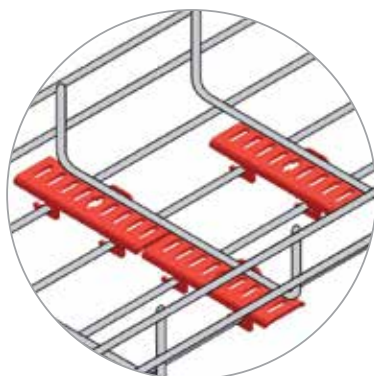
rejiband® Earth Terminal	
Brass	Pack Unit
Reference	
68000032	20

SUITABLE FOR CABLE SIZES 16-35 MM²

- Facilitates earthing of rejiband® trays.
- New design.
- Manufactured in brass.
- More economical. Less weight.



rejiband® Fixing Support

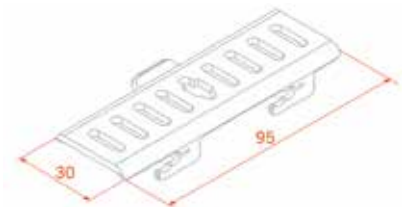


rejiband® Fixing Support	
ABS	Pack Unit
Reference	
68000010	20



SUITABLE FOR VOICE, DATA AND FIBRE OPTIC INSTALLATIONS

- Especially suitable for fixing cable with Rejifix.
- Economical and reusable.
- The supports allow for adjacent installation.
- It requires no bolts or other fastenings for installation.
- Manufactured from a fire retardant plastic material.



rejitech®

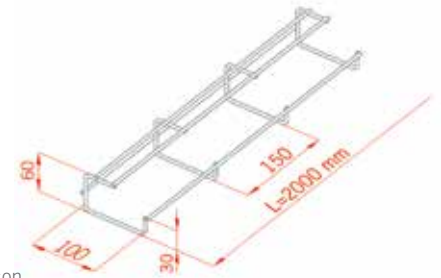
(False Ceiling and Under Desk Tray)



DIM.	rejitech® (False Ceiling Tray)		
	E.B.	E.G.	Pack Unit
	Reference	Reference	
60x100	60225020	60215020	8

SIDE ENTRY FOR CABLES

- Suitable for installation in false ceilings and small spaces.
- Fast installation without the need for joints or bends.
- The assembly work can be carried out by just one person.
- Tidy cabling.
- Easy to modify.
- Minimum height.
- Cables can be inserted from the side.
- Maximum ventilation.



rejitech®

Ceiling Fastener



rejitech® Ceiling Fastener		
E.B.	E.G.	Pack Unit
Reference	Reference	
67020052	67010052	25



- Used for the installation of **rejitech®**.

rejitech® Box Support



rejitech® Box Support		CLICK	RECYCLED
E.B.	Pack Unit		
Reference	Reference		
67020041	10		

- Only for use with **rejitech®**.
- Mount accessories with M6 screws.



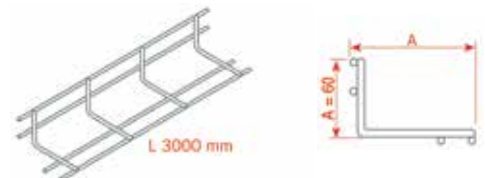
rejiband® Wire Mesh Angle Tray

(For mounting directly on beams)



DIM.:A	rejiband® Wire Mesh Angle Tray				
	E.B.	H.D.G.*	S.S. 304	S.S. 316	Pack Unit
	Reference	Reference	Reference	Reference	
109	60220000	60230000	60250000	60260000	6

- L-shaped tray suitable for installation using the angle tray fastener.



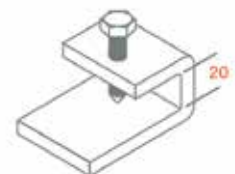
Angle Tray Fastener

(For mounting on beams)



Angle Tray Fastener	
E.B.	Pack Unit
Reference	Reference
67020051	10

- Use with hexagonal cone point screw M10x20 Ref. 67020098 (not included).

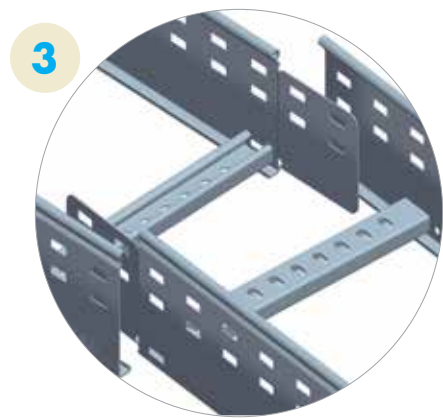
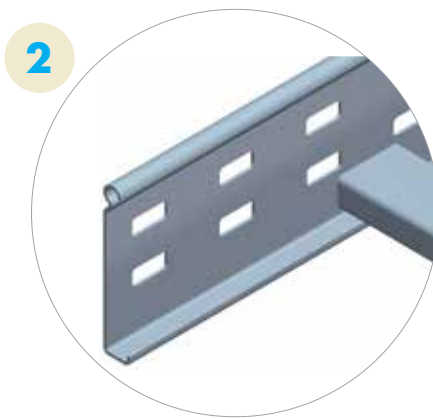
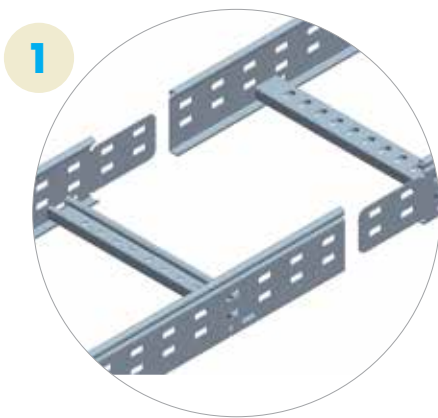
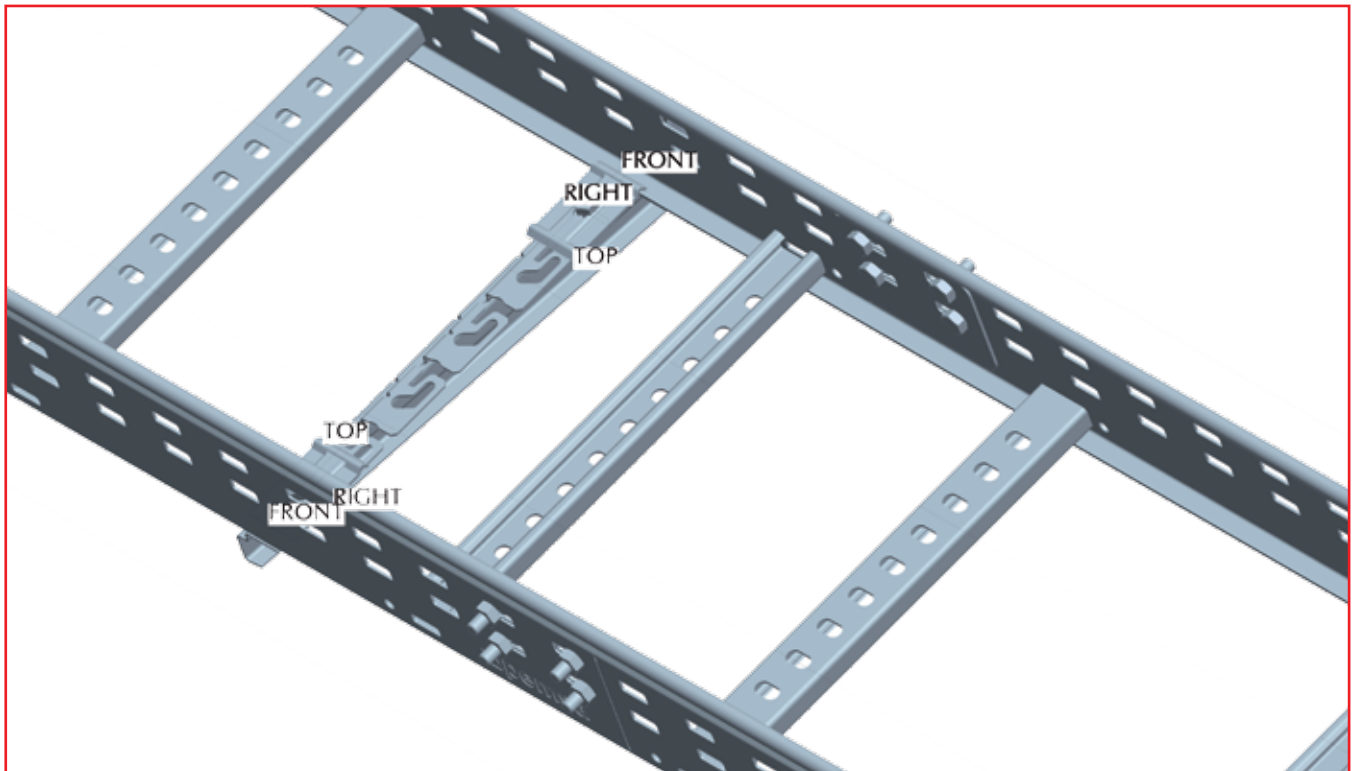


(*) The hot dip galvanized finish is NOT AN ACCURATE AESTHETIC FINISH. It is a very effective corrosion protection. COLOUR DIFFERENCES CAN OCCUR (shades of grey), brightness and surface finish (roughness, smoothness), created during the process employed. This is normal and does NOT AFFECT THE QUALITY AND DURATION OF THE ANTI-CORROSION PROTECTION.



megaband[®]
Cable Ladder
and Accessories

megaband®. Cable ladder for heavy loads and industrial environments



Advantages and features of the range

- 3 metre and 6 metre lengths.
- Widths of 150 to 900 mm and heights of 60, 100 and 120 mm.
- Range available in Light, Medium and Heavy Duty.
- Integrated Click System Couplers giving notable savings in couplers and installation time. (1).
- Safety edge similar to that of **pemsa**®. Maximum safety combined with Pemsa quality. The profile of the tray gives increased strength for greater loadings. (2).
- Alternate reversed rungs as standard. Increases the flexibility for fixing of cables etc.
- The alternate integrated couplers allows for the maintenance and removal of installed sections without the removal of other Megaband lengths. (3).
- Hot Dip Galvanised finish.
- High Load Capacity.
- Wide range of accessories: 90° Bend, Tee, Crossover, Riser etc.

megaband® Cable Ladder

Length 3m.



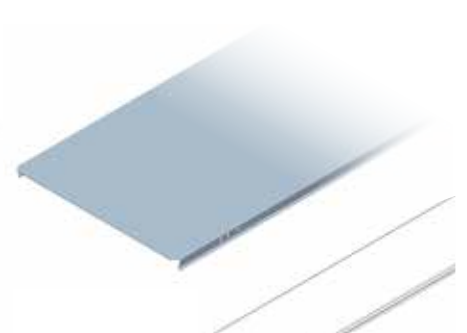
megaband® Cable Ladder

Length 6m.



Cover

Straight Cover for megaband® Cable Ladder



Integrated Coupler System for depths 60, 85, 100 and 120. Length of ladder sections 3m.



Integrated Coupler System for depths 60, 85, 100 and 120. Length of ladder sections 6m.



Click Fit (no screws or fasteners). The cover remains fixed even in a vertical position.

RANGE	DIM. AXB	megaband® Cable Ladder		megaband® Cable Ladder		Cover megaband®	
		H.D.G.*		H.D.G.*		H.D.G.*	
		Reference	Pack Unit	Reference	Pack Unit	Reference	Pack Unit
Standard Light Duty	60x100	92032100	3	92132100	6	73031100	24
	60x150	92032150	3	92132150	6	73031150	12
	60x200	92032200	3	92132200	6	73031200	12
	60x300	92032300	3	92132300	6	73031300	6
	60x400	92032400	3	92132400	6	73031400	6
	60x450	92032450	3	92132400	6	73031450	6
	60x500	92032500	3	92132500	6	73031500	6
	60x600	92032600	3	92132600	6	73031600	6
	60x700	92032700	3(*)	92132700	6(*)	73031700	6(*)
	60x800	92032800	3(*)	92132800	6(*)	73031800	4(*)
	60x900	92032900	3(*)	92132900	6(*)	73031900	4(*)
	60x1000	92032990	3(*)	92132990	6(*)	73031990	4(*)
	85x100	92033100	3	92133100	6	73031100	24
	85x200	92033200	3	92133200	6	73031200	12
	85x300	92033300	3	92133300	6	73031300	6
	85x400	92033400	3	92133400	6	73031400	6
	85x500	92033500	3	92133500	6	73031500	6
	85x600	92033600	3	92133600	6	73031600	6
	85x700	92033700	3(*)	92133700	6(*)	73031700	6(*)
	85x800	92033800	3(*)	92133800	6(*)	73031800	4(*)
85x900	92033900	3(*)	92133900	6(*)	73031900	4(*)	
85x1000	92033990	3(*)	92133990	6(*)	73031990	4(*)	
Medium Duty	100x100	92034100	3	92134100	6	73031100	24
	100x150	92034150	3	92134100	6	73031150	12
	100x200	92034200	3	92134200	6	73031200	12
	100x300	92034300	3	92134300	6	73031300	6
	100x400	92034400	3	92134400	6	73031400	6
	100x450	92034450	3	92134400	6	73031450	6
	100x500	92034500	3	92134500	6	73031500	6
	100x600	92034600	3	92134600	6	73031600	6
	100x700	92034700	3(*)	92134700	6(*)	73031700	6(*)
	100x750	92034750	3(*)	92134700	6(*)	73031750	4(*)
	100x800	92034800	3(*)	92134800	6(*)	73031800	4(*)
	100x900	92034900	3(*)	92134900	6(*)	73031900	4(*)
	100x1000	92034990	3(*)	92134990	6(*)	73031990	4(*)
Heavy Duty	120x100	92035100	3	92135100	6	73031100	24
	120x150	92035150	3	92135150	6	73031150	12
	120x200	92035200	3	92135200	6	73031200	12
	120x300	92035300	3	92135300	6	73031300	6
	120x400	92035400	3	92135400	6	73031400	6
	120x450	92035450	3	92135450	6	73031450	6
	120x500	92035500	3	92135500	6	73031500	6
	120x600	92035600	3	92135600	6	73031600	6
	120x700	92035700	3(*)	92135700	6(*)	73031700	6(*)
	120x750	92035750	3(*)	92135750	6(*)	73031750	4(*)
	120x800	92035800	3(*)	92135800	6(*)	73031800	4(*)
	120x900	92035900	3(*)	92135900	6(*)	73031900	4(*)
	120x1000	92035990	3(*)	92135990	6(*)	73031990	4(*)

Also available, to order, in other widths and depths.

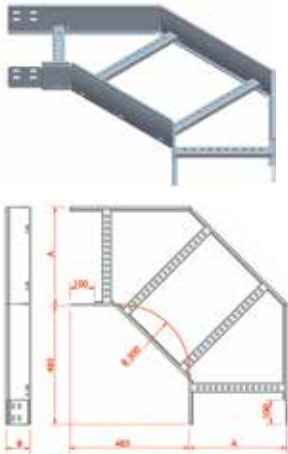
Bycro finish, Electrogalvanised, stainless steel 304 and 316L available on request.

(*) Consult for minimum quantities and pack units.

(*) The hot dip galvanized finish is NOT AN ACCURATE AESTHETIC FINISH. It is a very effective corrosion protection. COLOUR DIFFERENCES CAN OCCUR (shades of grey), brightness and surface finish (roughness, smoothness), created during the process employed. This is normal and does NOT AFFECT THE QUALITY AND DURATION OF THE ANTI-CORROSION PROTECTION.

90° Bend megaband®

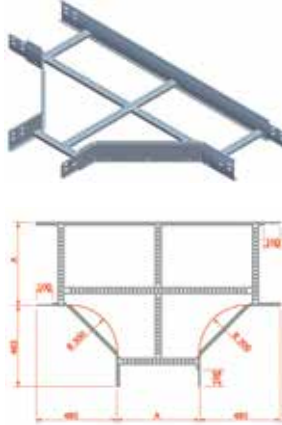
For cable ladder



Integrated Coupler System for depths 60, 85, 100 and 120.

Tee megaband®

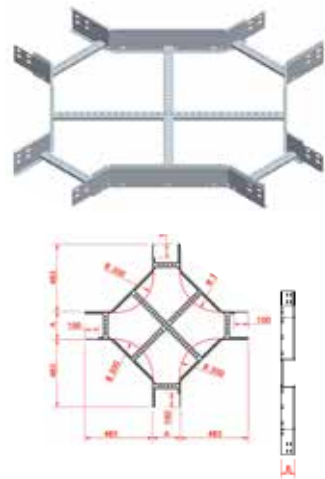
For cable ladder



Integrated Coupler System for depths 60, 85, 100 and 120.

Crossover megaband®

For cable ladder



Integrated Coupler System for depths 60, 85, 100 and 120.

M.M. AxB CLICK NEW	90° Bend megaband®	Tee megaband®	Crossover megaband®	Pack Unit
	H.D.G.*	H.D.G.*	H.D.G.*	
	Reference	Reference	Reference	
60x100	93032100	93132100	93232100	Each
60x150	93032150	93132150	93232150	Each
60x200	93032200	93132200	93232200	Each
60x300	93032300	93132300	93232300	Each
60x400	93032400	93132400	93232400	Each
60x450	93032450	93132450	93232450	Each
60x500	93032500	93132500	93232500	Each
60x600	93032600	93132600	93232600	Each
60x700	93032700	93132700	93232700	Each(*)
60x800	93032800	93132800	93232800	Each(*)
60x900	93032900	93132900	93232900	Each(*)
60x1000	93032990	93132990	93232990	Each(*)
85x100	93033100	93133100	93233100	Each
85x200	93033200	93133200	93233200	Each
85x300	93033300	93133300	93233300	Each
85x400	93033400	93133400	93233400	Each
85x500	93033500	93133500	93233500	Each
85x600	93033600	93133600	93233600	Each
85x700	93033700	93133700	93233700	Each(*)
85x800	93033800	93133800	93233800	Each(*)
85x900	93033900	93133900	93233900	Each(*)
85x1000	93033990	93133990	93233990	Each(*)
100x100	93034100	93134100	93234100	Each
100x150	93034150	93134150	93234150	Each
100x200	93034200	93134200	93234200	Each
100x300	93034300	93134300	93234300	Each
100x400	93034400	93134400	93234400	Each
100x450	93034450	93134450	93234450	Each
100x500	93034500	93134500	93234500	Each
100x600	93034600	93134600	93234600	Each
100x700	93034700	93134700	93234700	Each(*)
100x750	93034750	93134750	93234750	Each(*)
100x800	93034800	93134800	93234800	Each(*)
100x900	93034900	93134900	93234900	Each(*)
100x1000	93034990	93134990	93234990	Each(*)
120x100	93035100	93135100	93235100	Each
120x150	93035150	93135150	93235150	Each
120x200	93035200	93135200	93235200	Each
120x300	93035300	93135300	93235300	Each
120x400	93035400	93135400	93235400	Each
120x450	93035450	93135450	93235450	Each
120x500	93035500	93135500	93235500	Each
120x600	93035600	93135600	93235600	Each
120x700	93035700	93135700	93235700	Each(*)
120x750	93035750	93135750	93235750	Each(*)
120x800	93035800	93135800	93235800	Each(*)
120x900	93035900	93135900	93235900	Each(*)
120x1000	93035990	93135990	93235990	Each(*)

Also available to order in other widths, depths, angles and Radius.

(*) Consult pack units.

Bycro / E.B.
E.G.

Electrolytic Bichromate BS-EN ISO 2081
Electro-galvanised BS-EN ISO 2081, available on request

P.G.
H.D.G.

Pre-galvanised BS-EN 10346
Hot-dip galvanised BS-EN-ISO 1461

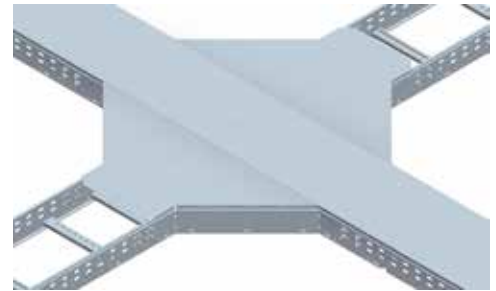
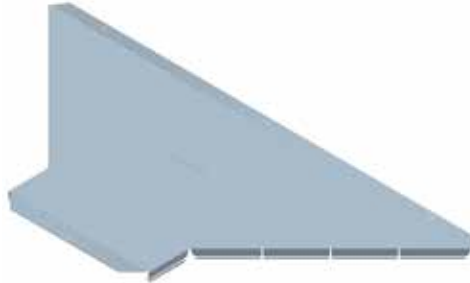
S.S. 304
S.S. 316

Passivated stainless steel AISI 304
Passivated stainless steel AISI 316

90° Bend Cover megaband®

Tee Cover megaband®

Crossover Cover megaband®



Click cover requires no additional fixings.



Click cover requires no additional fixings.



The megaband crossover cover is made up from 2 megaband tee covers connected to the straight cover.

DIM. AXB	90° Bend Cover megaband®		Tee Cover megaband®		Crossover Cover megaband®		Pack Unit
	H.D.G.*	Reference	H.D.G.*	Reference	H.D.G.*	Reference	
60x100		94030100		94130100		94130100	Each
60x150		94030150		94130150		94130150	Each
60x200		94030200		94130200		94130200	Each
60x300		94030300		94130300		94130300	Each
60x400		94030400		94130400		94130400	Each
60x450		94030450		94130450		94130450	Each
60x500		94030500		94130500		94130500	Each
60x600		94030600		94130600		94130600	Each
60x700		94030700		94130700		94130700	Each(*)
60x800		94030800		94130800		94130800	Each(*)
60x900		94030900		94130900		94130900	Each(*)
60x1000		94030990		94130990		94130990	Each(*)
85x100		94030100		94130100		94130100	Each
85x200		94030200		94130200		94130200	Each
85x300		94030300		94130300		94130300	Each
85x400		94030400		94130400		94130400	Each
85x500		94030500		94130500		94130500	Each
85x600		94030600		94130600		94130600	Each
85x700		94030700		94130700		94130700	Each(*)
85x800		94030800		94130800		94130800	Each(*)
85x900		94030900		94130900		94130900	Each(*)
85x1000		94030990		94130990		94130990	Each(*)
100x100		94030100		94130100		94130100	Each
100x150		94030150		94130150		94130150	Each
100x200		94030200		94130200		94130200	Each
100x300		94030300		94130300		94130300	Each
100x400		94030400		94130400		94130400	Each
100x450		94030450		94130450		94130450	Each
100x500		94030500		94130500		94130500	Each
100x600		94030600		94130600		94130600	Each
100x700		94030700		94130700		94130700	Each(*)
100x750		94030750		94130750		94130750	Each(*)
100x800		94030800		94130800		94130800	Each(*)
100x900		94030900		94130900		94130900	Each(*)
100x1000		94030990		94130990		94130990	Each(*)
120x100		94030100		94130100		94130100	Each
120x150		94030150		94130150		94130150	Each
120x200		94030200		94130200		94130200	Each
120x300		94030300		94130300		94130300	Each
120x400		94030400		94130400		94130400	Each
120x450		94030450		94130450		94130450	Each
120x500		94030500		94130500		94130500	Each
120x600		94030600		94130600		94130600	Each
120x700		94030700		94130700		94130700	Each(*)
120x750		94030750		94130750		94130750	Each(*)
120x800		94030800		94130800		94130800	Each(*)
120x900		94030900		94130900		94130900	Each(*)
120x1000		94030990		94130990		94130990	Each(*)

(*) Consult pack units.

(*) The hot dip galvanized finish is NOT AN ACCURATE AESTHETIC FINISH. It is a very effective corrosion protection. COLOUR DIFFERENCES CAN OCCUR (shades of grey), brightness and surface finish (roughness, smoothness), created during the process employed. This is normal and does NOT AFFECT THE QUALITY AND DURATION OF THE ANTI-CORROSION PROTECTION.

90° Inside Riser **megaband®**



90° Outside Riser **megaband®**



Articulated Riser Section



Contents: Unit consists of one straight section with two rungs. (Illustration shows 3 units joined together)

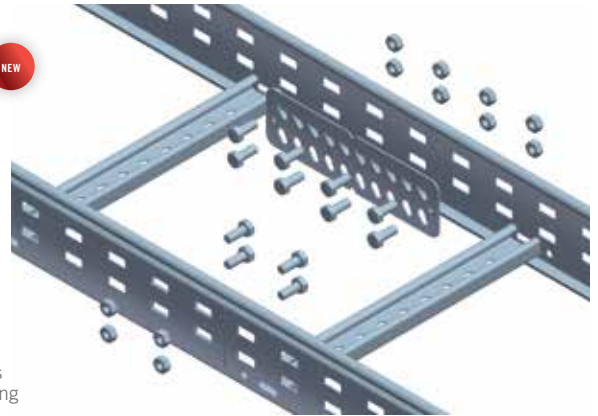
DIM. AxB	90° Inside Riser megaband®		90° Outside Riser megaband®		Articulated Riser Section		Pack Unit
	H.D.G.*	Reference	H.D.G.*	Reference	H.D.G.*	Reference	
60x100		93532100		93632100		93432100	Each
60x150		93532150		93632150		93432150	Each
60x200		93532200		93632200		93432200	Each
60x300		93532300		93632300		93432300	Each
60x400		93532400		93632400		93432400	Each
60x450		93532450		93632450		93432450	Each
60x500		93532500		93632500		93432500	Each
60x600		93532600		93632600		93432600	Each
60x700		93532700		93632700			Each(*)
60x800		93532800		93632800			Each(*)
60x900		93532900		93632900			Each(*)
60x1000		93532990		93632990			Each(*)
85x100		93533100		93633100		93433100	Each
85x200		93533200		93633200		93433200	Each
85x300		93533300		93633300		93433300	Each
85x400		93533400		93633400		93433400	Each
85x500		93533500		93633500		93433500	Each
85x600		93533600		93633600		93433600	Each
85x700		93533700		93633700			Each(*)
85x800		93533800		93633800			Each(*)
85x900		93533900		93633900			Each(*)
85x1000		93533990		93633990			Each(*)
100x100		93534100		93634100		93434100	Each
100x150		93534150		93634150		93434150	Each
100x200		93534200		93634200		93434200	Each
100x300		93534300		93634300		93434300	Each
100x400		93534400		93634400		93434400	Each
100x450		93534450		93634450		93434450	Each
100x500		93534500		93634500		93434500	Each
100x600		93534600		93634600		93434600	Each
100x700		93534700		93634700			Each(*)
100x750		93534750		93634750			Each(*)
100x800		93534800		93634800			Each(*)
100x900		93534900		93634900			Each(*)
100x1000		93534990		93634990			Each(*)
120x100		93535100		93635100		93435100	Each
120x150		93535150		93635150		93435150	Each
120x200		93535200		93635200		93435200	Each
120x300		93535300		93635300		93435300	Each
120x400		93535400		93635400		93435400	Each
120x450		93535450		93635450		93435450	Each
120x500		93535500		93635500		93435500	Each
120x600		93535600		93635600		93435600	Each
120x700		93535700		93635700			Each(*)
120x750		93535750		93635750			Each(*)
120x800		93535800		93635800			Each(*)
120x900		93535900		93635900			Each(*)
120x1000		93535990		93635990			Each(*)

Coupler



DIM	Coupler	
	H.D.G.*	Pack Unit
	Reference	
60	93930002	50
85/120	93930003	50
60	93930002/10	10
85/120	93930003/10	10

NEW



- Straight Coupler for use when full lengths have been cut.
- The full length sections have integrated couplers therefore no other couplers are required for joining them.
- Couplers connect with M8 nuts and bolts (page 27).

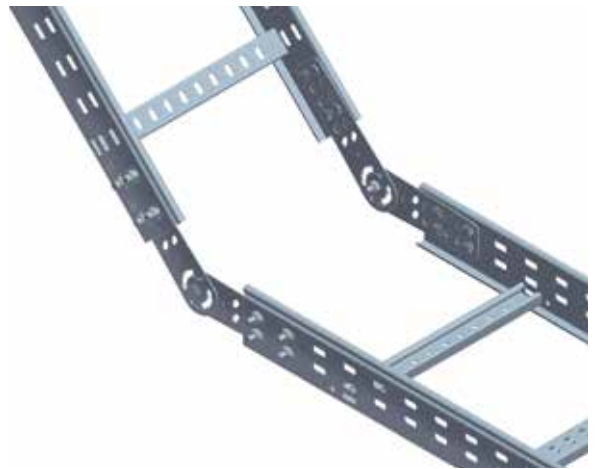
Riser/Dropper



DIM	Riser/Dropper	
	H.D.G.*	Pack Unit
	Reference	
60	93930012	8
85/120	93930013	8

NEW

- For creating risers and droppers with adjustable angles.
- Connect with M8 nuts and bolts (page 27).
- For Articulated Riser see page 26.



megaband® Hold down Clamp



Hold Down Clamp	
H.D.G.*	Pack Unit
Reference	
93930021	50

NEW

- Clamp for horizontal fastening of the ladder to Channel, RPLUS Brackets or Heavy Duty Pendant.
- Connect with M8 nuts and bolts (page 27).
- Support requires two clamps.



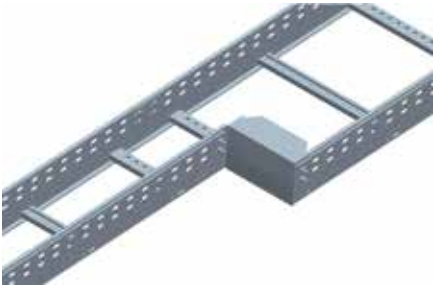
Megaband Joint Kit M8



DIM	Megaband Joint Kit M8	
	H.D.G.*	Pack Unit
	Reference	
M8x15	67030094	100

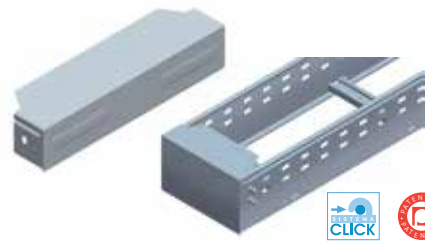
(*) The hot dip galvanized finish is NOT AN ACCURATE AESTHETIC FINISH. It is a very effective corrosion protection. COLOUR DIFFERENCES CAN OCCUR (shades of grey), brightness and surface finish (roughness, smoothness), created during the process employed. This is normal and does NOT AFFECT THE QUALITY AND DURATION OF THE ANTI-CORROSION PROTECTION.

Reducer



Please ask for availability of other sizes.

End Cover



megaband® accessory for terminating the end of the ladder.
Promotes total protection of the whole section.
Other sizes available. Please ask.

DIM. AxB	Reducer megaband®		End Cover megaband®		Pack Unit
	H.D.G.*		H.D.G.*		
	Reference		Reference		
150x60	71032015		70039215		1
300x60	71032030		70039230		1
450x60	71032045		70039245		1
600x60	71032060		70039260		1
150x100	71034015		70039415		1
300x100	71034030		70039430		1
450x100	71034045		70039445		1
600x100	71034060		70039460		1
150x120	71035015		70039515		1
300x120	71035030		70039530		1
450x120	71035045		70039545		1
600x120	71035060		70039560		1

megaband® Luminaire and Box Support



Luminaire and Box support **megaband®**

H.D.G.*	Pack Unit
Reference	
93930005	5

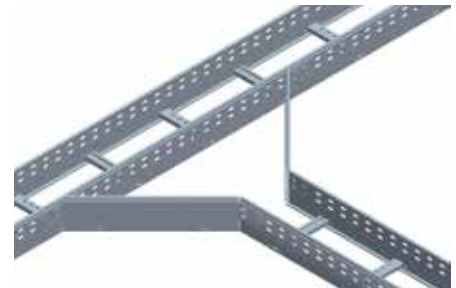


Side Connector



DIM	Side Connector	
	H.D.G.*	Pack Unit
	Reference	
60	93930202	1
100	93930204	1
120	93930205	1

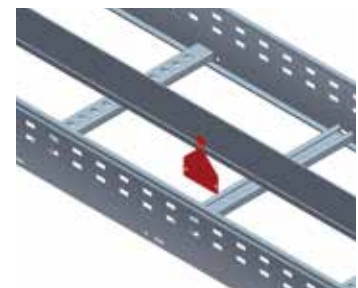
Contents: Unit consists of two pieces.



Click Divider



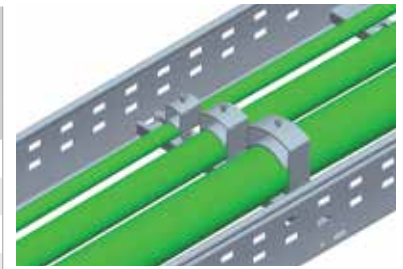
DIM	Click Divider	
	H.D.G.*	Pack Unit
	Reference	
25	67030610	20
50	67030611	16
80	67030612	12



Metal Cable Clamp



Cable Diameter	Metal Cable Clamp		Cable Diameter	Metal Cable Clamp		Pack Unit
	H.D.G.*	Reference		H.D.G.*	Reference	
DN10		93930110	DN45		93930145	Each
DN15		93930115	DN50		93930150	Each
DN20		93930120	DN60		93930160	Each
DN25		93930125	DN70		93930170	Each
DN32		93930132	DN80		93930180	Each
DN40		93930140	DN90		93930190	Each



- Suitable for correct fixing of cables directly to the rungs of the ladder.
- Especially suitable for vertical installations.

rejiband® megaband® Coupler



rejiband® megaband® Coupler



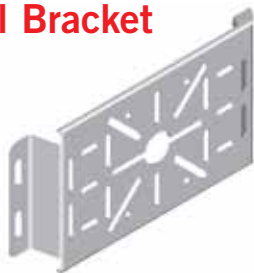
H.D.G.*	Pack Unit
Reference	70130200
	Each

Contents: Each package contains 2 parts. One for each side.

- Designed for joining straight sections of **megaband®** and **rejiband®**
- Connect with M8 nuts and bolts (page 27).



Universal Bracket



Universal Bracket



H.D.G.*	Pack Unit
Reference	70430911
	10

- For installing boxes use M5 bolts.



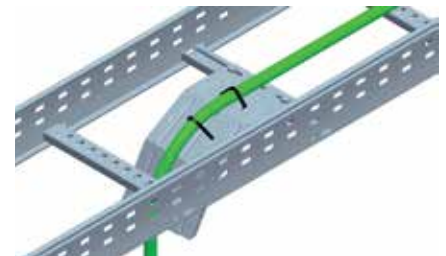
Cable Outlet megaband®



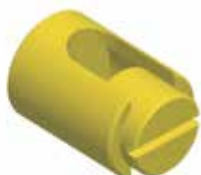
Cable Outlet megaband®



H.D.G.*	Pack Unit
Reference	93930004
	Each

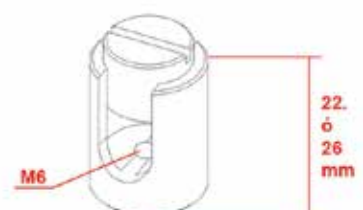


Earth Terminal



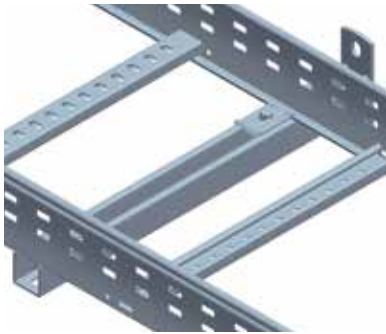
Earth Terminal		Pack Unit
Cables (mm²)	Reference	
16-50mm²	68000034	20
50-110mm²	68000035	20

- Material: Brass.



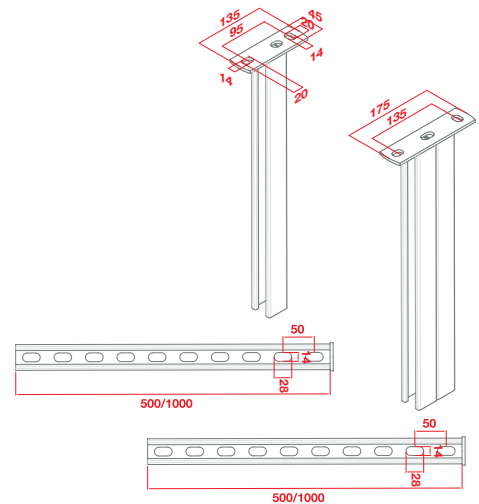
(*) The hot dip galvanized finish is NOT AN ACCURATE AESTHETIC FINISH. It is a very effective corrosion protection. COLOUR DIFFERENCES CAN OCCUR (shades of grey), brightness and surface finish (roughness, smoothness), created during the process employed. This is normal and does NOT AFFECT THE QUALITY AND DURATION OF THE ANTI-CORROSION PROTECTION.

Heavy Duty Pendant Drop

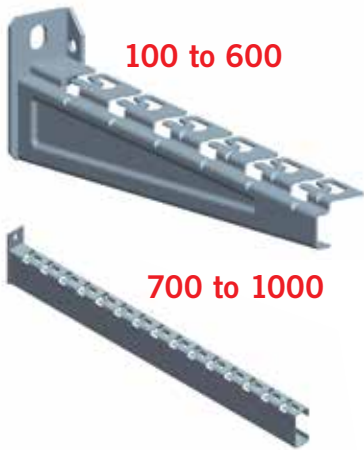


DIM	Heavy Duty Pendant Drop 41x41	Double Heavy Duty Pendant Drop 41x41	Pack Unit
	H.D.G.*	H.D.G.*	
	Reference	Reference	
500	67030660	67030662	Each
1000	67030661	67030663	Each

• For further product information see page 46.



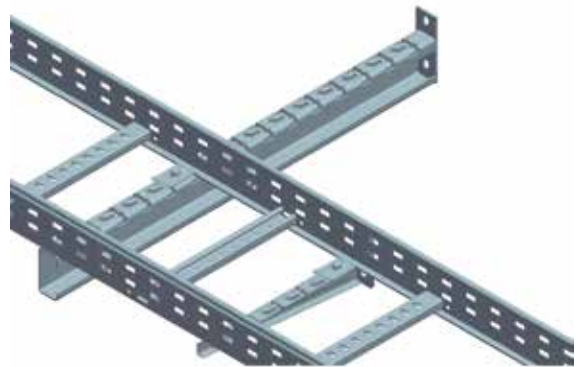
Medium Duty Cantilever RPLUS



DIM	Medium Duty Cantilever RPLUS	
	H.D.G.*	Pack Unit
	Reference	Pack Unit
100	62035103	Each
150	62035153	Each
200	62035203	Each
300	62035303	Each
400	62035403	Each
500	62035503	Each
600	62035603	Each
700	62035703	Each
750	62035753	Each
800	62035803	Each
900	62035903	Each
1000	62035993	Each

Pack unit: 4

- Universal, therefore 50% reduction in references required.
- Compatible with **megaband®**, **rejoband®**, sheet metal and PVC trays.
- Patented.



Heavy Duty Cantilever RPLUS



DIM	Heavy Duty Cantilever RPLUS	
	H.D.G.*	Pack Unit
	Reference	Pack Unit
300	63033303	Each
400	63033403	Each
500	63033503	Each
600	63033603	Each

Pack unit: 4

- Reinforced support for increased loads.



E90 RPLUS Connector



E90 RPLUS Connector	
H.D.G.*	Pack Unit
Reference	Pack Unit
62035001	15

- Necessary and unique component to create an E90 support.
- Allows the connection of the rod to ceiling or wall and RPlus bracket.
- For more information see E90 in Product Solution pages 58 to 65.

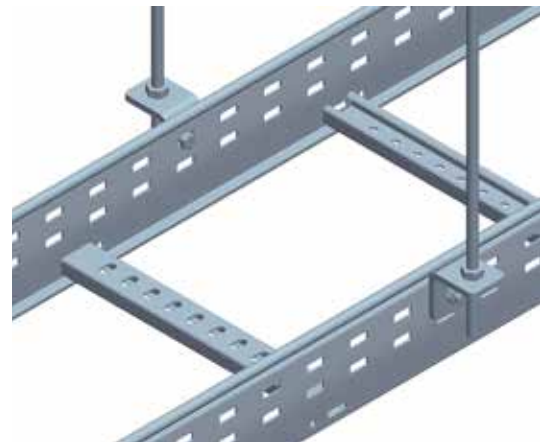


2 Hole Angle Bracket

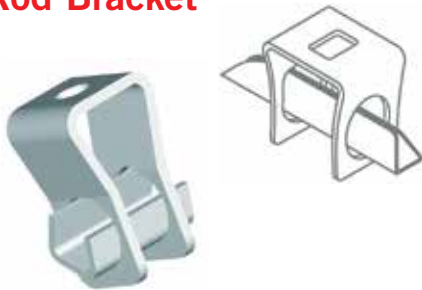


2 Hole Angle Bracket	
H.D.G.*	
Reference	Pack Unit
67030201	Each

- Allows connection of **megaband**® to the ceiling by the use of threaded rods.



Variable Ceiling Rod Bracket



Variable Ceiling Rod Bracket	
H.D.G.*	
Reference	Pack Unit
67030061	Each

NEW

- Allows connection of **megaband**® to the ceiling by the use of M8 or M10 threaded rods.
- This piece allows you to install rod holders on ceilings or inclines.

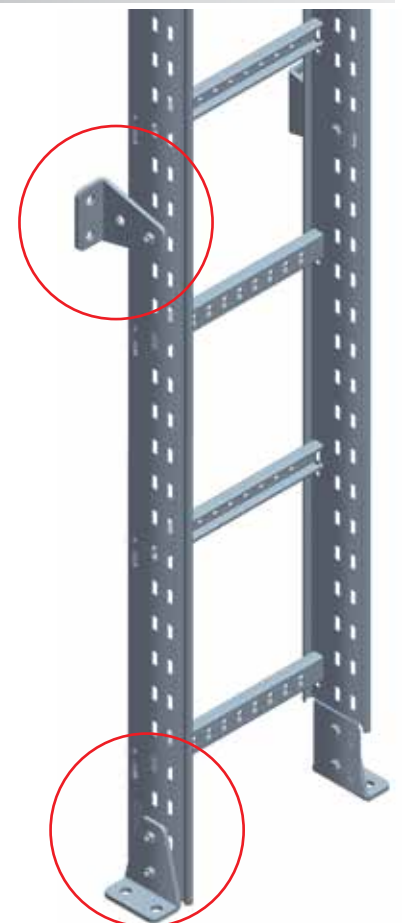
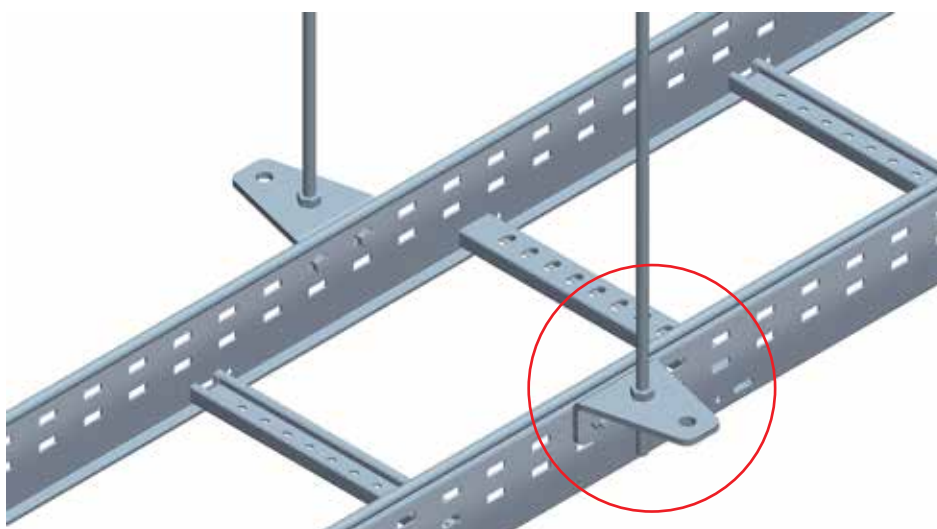


90° Tee Joint



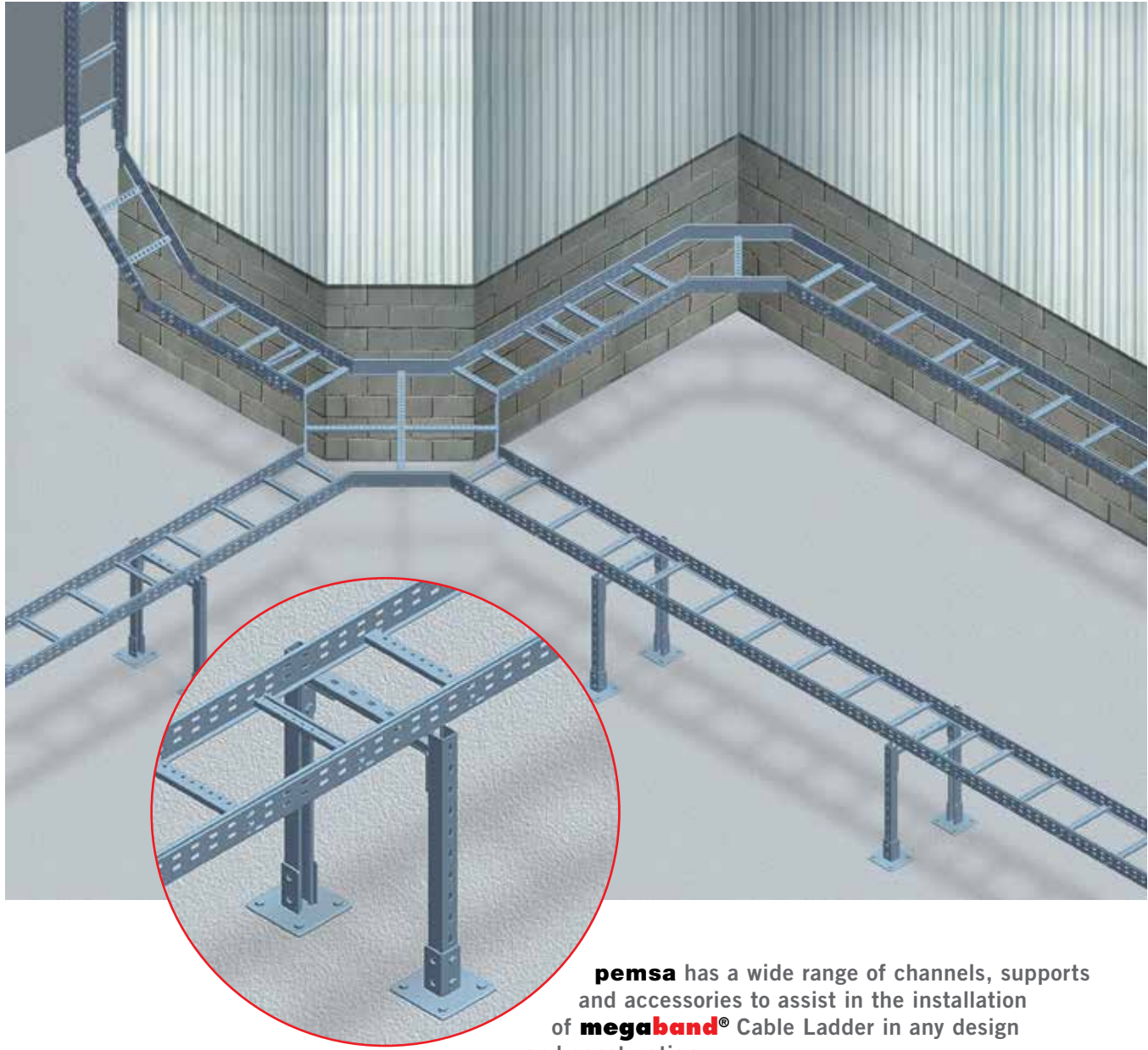
90° Tee Joint	
H.D.G.*	
Reference	Pack Unit
67030204	Each

- Support for connecting straight lengths of **megaband**® to the floor in a vertical installation.
- Suitable also, in a vertical installation, for lateral connection to the wall.



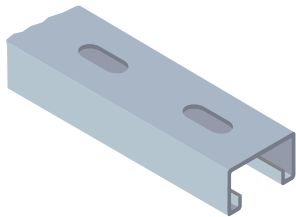
(*) The hot dip galvanized finish is NOT AN ACCURATE AESTHETIC FINISH. It is a very effective corrosion protection. COLOUR DIFFERENCES CAN OCCUR (shades of grey), brightness and surface finish (roughness, smoothness), created during the process employed. This is normal and does NOT AFFECT THE QUALITY AND DURATION OF THE ANTI-CORROSION PROTECTION.

Channel and accessories for the support structure of **megaband**® Cable Ladder

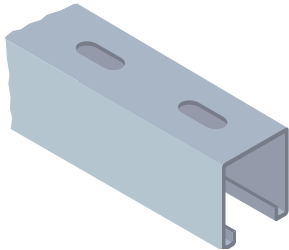


pemsa has a wide range of channels, supports and accessories to assist in the installation of **megaband**® Cable Ladder in any design and construction.

Heavy duty channel 41x21



Heavy duty channel 41x41



Channel floor boss 41x41



90° Tee Bracket No.16



INFORMATION: For more information on Channels and accessories see pages 47 to 51.

Bycro / E.B. Electrolytic Bichromate BS-EN ISO 2081
E.G. Electrogalvanised BS-EN ISO 2081, available on request

P.G. Pre-galvanised BS-EN 10346
H.D.G. Hot-dip galvanised BS-EN-ISO 1461

S.S. 304 Passivated stainless steel AISI 304
S.S. 316 Passivated stainless steel AISI 316



pemsaband®
Sheet steel trays

pemsaband® Range of Trays

A comprehensive range of sheet steel trays providing a solution to many installation requirements

Trays are categorised according to their load capabilities and mechanical properties



pemsaband® RX

Reinforced tray 1.5 mm gauge (also available in 1.2 mm)

For applications demanding high load capabilities. Petrochemical industry, refineries and other industrial activities.



Config..	Coupling method	Finish	35 Flange					60 Flange						
			100	150	200	300	400	100	150	200	300	400	500	600
Perforated	Couplers	Thickness						1.5	1.5	1.5	1.5	1.5	1.5	1.5
		Ref.						76122100	76122150	76122200	76122300	76122400	76122500	76122600
		Thickness						1.5	1.5	1.5	1.5	1.5	1.5	1.5
		Ref.						76132100	76132150	76132200	76132300	76132400	76132500	76132600

pemsaband® SX

N Mark Tray. For heavy loads

For Standard heavy load applications with a demand for quality.. Civil engineering, tunnels, public buildings etc.



Config..	Coupling method	Finish	35 Flange					60 Flange						
			100	150	200	300	400	100	150	200	300	400	500	600
	Click	Ref.						75522100	75522150	75522200	75522300	75522400	75522500	75522600
		Ref.						75232100	75232150	75232200	75232300	75232400	75232500	75232600

- DEMANDED AND SPECIFIED IN ENGINEERING PROJECTS.
- CHARACTERISTICS GUARANTEED THROUGH THE AENOR N MARK.

pemsaband® Inducanal

Inducanal. Metal channel

Metal channel, plain and embossed, for applications requiring protection and watertightness for the cables.



Config..	Coupling method	Finish	35 Flange					60 Flange						
			100	150	200	300	400	100	150	200	300	400	500	600
	Click	Ref.	75121100	75121150	75121200	75121300	75121400	75122100	75122150	75122200	75122300	75122400	75122500	75122600
		Ref.	75131100	75131150	75131200	75131300	75131400	75132100	75132150	75132200	75132300	75132400	75132500	75132600

pemsaband® LX

Tray for medium loads

Perforated and embossed tray for standard market applications.

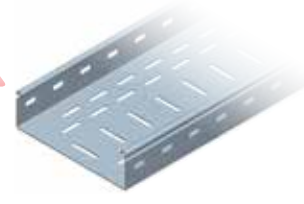


Config..	Coupling method	Finish	35 Flange					60 Flange						
			100	150	200	300	400	100	150	200	300	400	500	600
	Click	Ref.	75821100	75821150	75821200	75821300		75822100	75822150	75822200	75822300	75822400	75822500	75822600
		Ref.	75831100	75831150	75831200	75831300		75832100	75832150	75832200	75832300	75832400	75832500	75832600



Coupling method	85 Flange					Coupling method	100 Flange				
	200	300	400	500	600		200	300	400	500	600
Couplers	1.5	1.5	1.5	1.5	1.5	Couplers	1.5	1.5	1.5	1.5	1.5
	76123200	76123300	76123400	76123500	76123600		76124200	76124300	76124400	76124500	76124600
	1.5	1.5	1.5	1.5	1.5		1.5	1.5	1.5	1.5	1.5
	76133200	76133300	76133400	76133500	76133600		76134200	76134300	76134400	76134500	76134600

CONSULT FOR LOAD VALUES (KG/M)



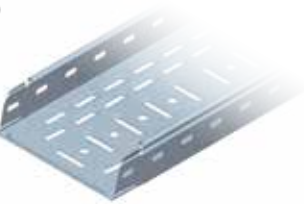
- Reinforced Range for heavy load values.
- On request.

Coupling method	85 Flange					Coupling method	100 Flange				
	200	300	400	500	600		200	300	400	500	600
Click	75523200	75523300	75523400	75523500	75523600	Couplers	75524200	75524300	75524400	75524500	75524600
	75533200	75533300	75533400	75533500	75533600		75534200	75534300	75534400	75534500	75534600

LOAD VALUES (KG/M)

2.805

930



- Reinforced Range for heavy load values.
- On request.

Coupling method	85 Flange					Coupling method	100 Flange				
	200	300	400	500	600		200	300	400	500	600
Click	75423200	75423300	75423400	75423500	75423600	Couplers	75424200	75424300	75424400	75424500	75424600
	75433200	75433300	75433400	75433500	75433600		75434200	75434300	75434400	75434500	75434600

LOAD VALUES (KG/M)

2.200

760

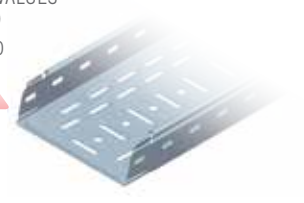
- Reinforced Range for heavy load values

Coupling method	85 Flange					Coupling method	100 Flange				
	200	300	400	500	600		200	300	400	500	600
Click	75223200	75223300	75223400	75223500	75223600	Couplers	75224200	75224300	75224400	75224500	75224600
	75233200	75233300	75233400	75233500	75233600		75234200	75234300	75234400	75234500	75234600

LOAD VALUES (KG/M)

2.200

760



- Availability whilst stocks last.

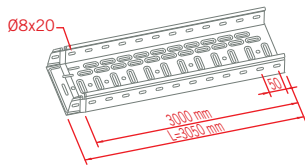
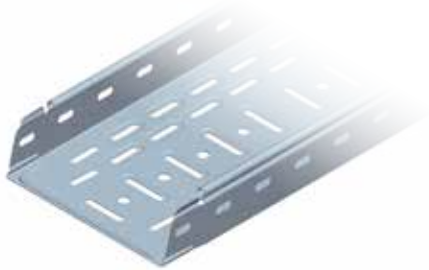
P.G. Pre-galvanised BS-EN 10346. Corrosion resistance according to UNE-EN-61 387: Class 2.

H.D.G. Hot-dip galvanised BS-EN-ISO 1461. Corrosion resistance according to UNE-EN-61 387: Class 7.



pemsaband® LX perforated and embossed

Metal tray
GTV 3001



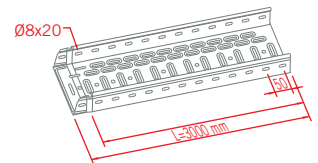
Inducanal®

Solid metal tray with embosses



pemsaband® SX perforated and embossed

Metal tray



Metal tray with embossed and perforated base for light and medium loads. The Quick Click Joint System is available in 35 60 and 85 depths. 100 flange requires couplers. All available in both PG and HDG.



Metal solid tray with embossed base for light and medium loads. The Quick Click Joint System is available in 35 60 and 85 depths. 100 flange requires couplers. All available in both PG and HDG.



Metal tray with embossed and perforated base for medium loads. The Quick Click Joint System is available in 35 60 and 85 depths. 100 flange requires couplers. All available in both PG and HDG.

On Request (Please consult for minimum order quantity).

pemsaband® DIM. AxB	pemsaband® LX		inducanal		pemsaband® SX		Pack Unit
	P.G.	H.D.G.*	P.G.	H.D.G.*	P.G.	H.D.G.*	
	Reference	Reference	Reference	Reference	Reference	Reference	
100x35	75821100	75831100	75121100	75131100			24
150x35	75821150	75831150	75121150	75131150			12
200x35	75821200	75831200	75121200	75131200			12
300x35	75821300	75831300	75121300	75131300			12
60x60			75122060	75132060			24
100x60	75822100	75832100	75122100	75132100	75522100	75232100	24
150x60	75822150	75832150	75122150	75132150	75522150	75232150	12
200x60	75822200	75832200	75122200	75132200	75522200	75232200	12
300x60	75822300	75832300	75122300	75132300	75522300	75232300	6
400x60	75822400	75832400	75122400	75132400	75522400	75232400	6
500x60	75822500	75832500	75122500	75132500	75522500	75232500	6
600x60	75822600	75832600	75122600	75132600	75522600	75232600	6
200x85	•75223200	•75233200	•75423200	•75433200	•75523200	•75533200	6
300x85	•75223300	•75233300	•75423300	•75433300	•75523300	•75533300	6
400x85	•75223400	•75233400	•75423400	•75433400	•75523400	•75533400	6
500x85	•75223500	•75233500	•75423500	•75433500	•75523500	•75533500	6
600x85	•75223600	•75233600	•75423600	•75433600	•75523600	•75533600	6
200x100	75224200	75234200	75424200	75434200	75524200	75534200	6
300x100	75224300	75234300	75424300	75434300	75524300	75534300	6
400x100	75224400	75234400	75424400	75434400	75524400	75534400	6
500x100	75224500	75234500	75424500	75434500	75524500	75534500	6
600x100	75224600	75234600	75424600	75434600	75524600	75534600	6



P.G. Corrosion resistance: Class 2.
H.D.G. Corrosion resistance: Class 3



P.G. Corrosion resistance: Class 2.
H.D.G. Corrosion resistance: Class 7

• Availability whilst stocks last.

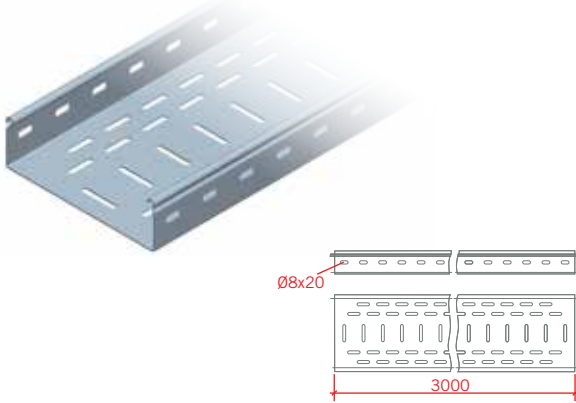
Bycro / E.B. Electrolytic Bichromate BS-EN ISO 2081
E.G. Electrogalvanised BS-EN ISO 2081, available on request

P.G. Pre-galvanised BS-EN 10346
H.D.G. Hot-dip galvanised BS-EN-ISO 1461

S.S. 304 Passivated stainless steel AISI 304
S.S. 316 Passivated stainless steel AISI 316

pemsaband® RX heavy duty

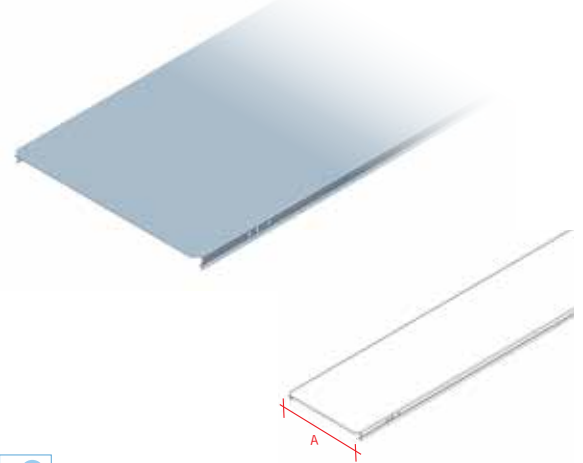
Reinforced metal sheet tray for heavy loads values.



Metal sheet tray with perforated base designed for heavy loads values. **ON REQUEST (Please consult for minimum order quantity)**

pemsaband® Cover

Metal straight cover for cable trays pemsaband®, rejiband® y megaband®



Click Fit (no screws or fasteners). The cover remains fixed even in a vertical position..

pemsaband® DIM. Ax B	pemsaband® RX perforated				pemsaband® Cover		
	P.G.	H.D.G.*	ESP (mm)	Pack Unit	P.G.	H.D.G.*	Pack Unit
	Reference	Reference			Reference	Reference	
100x35					73021100	73031100	24
150x35					73021150	73031150	12
200x35					73021200	73031200	12
300x35					73021300	73031300	6
60x60					73021060	73031060	24
100x60	76122100	76132100	1,5	24	73021100	73031100	24
150x60					73021150	73031150	12
200x60	76122200	76132200	1,5	12	73021200	73031200	12
300x60	76122300	76132300	1,5	6	73021300	73031300	6
400x60	76122400	76132400	1,5	6	73021400	73031400	6
500x60	76122500	76132500	1,5	6	73021500	73031500	6
600x60	76122600	76132600	1,5	6	73021600	73031600	6
200x85	•76123200	•76133200	1,5	6	73021200	73031200	12
300x85	•76123300	•76133300	1,5	6	73021300	73031300	6
400x85	•76123400	•76133400	1,5	6	73021400	73031400	6
500x85	•76123500	•76133500	1,5	6	73021500	73031500	6
600x85	•76123600	•76133600	1,5	6	73021600	73031600	6
200x100	76124200	76134200	1,5	6	73021200	73031200	12
300x100	76124300	76134300	1,5	6	73021300	73031300	6
400x100	76124400	76134400	1,5	6	73021400	73031400	6
500x100	76124500	76134500	1,5	6	73021500	73031500	6
600x100	76124600	76134600	1,5	6	73021600	73031600	6



P.G. Corrosion resistance: Class 2.

G.C. Corrosion resistance: Class 7.

pemsaband® RX available on request.

• Availability whilst stocks last. .

(*) The hot dip galvanized finish is NOT AN ACCURATE AESTHETIC FINISH. It is a very effective corrosion protection. COLOUR DIFFERENCES CAN OCCUR (shades of grey), brightness and surface finish (roughness, smoothness), created during the process employed. This is normal and does NOT AFFECT THE QUALITY AND DURATION OF THE ANTI-CORROSION PROTECTION.

90° Bend Click

pemsaband® accessory to create a 90 degree bend

90° Bend Cover Click

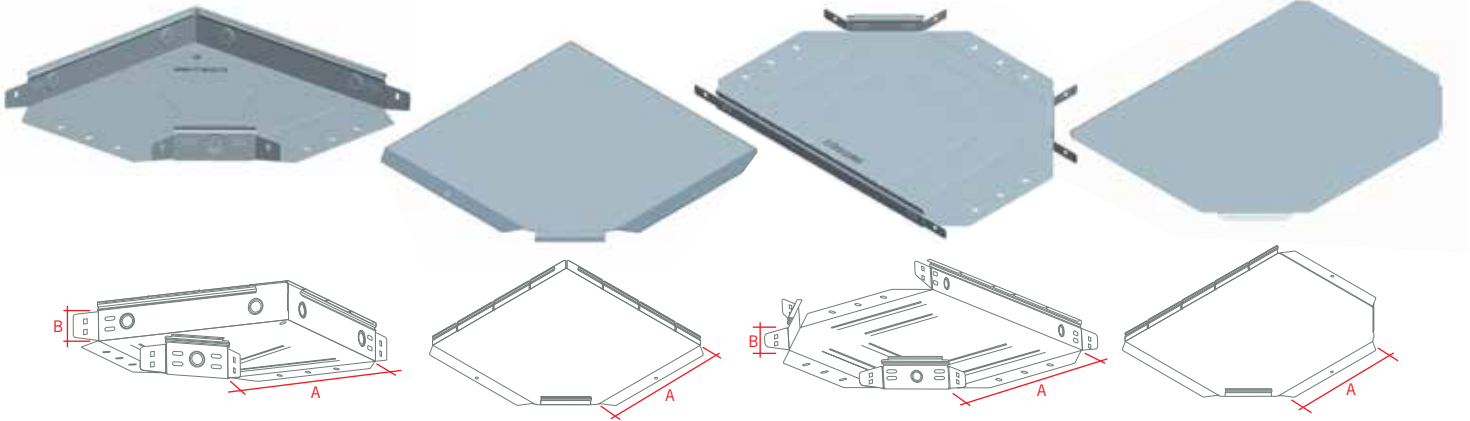
Cover for 90° Bend Click accessory

Tee Click

pemsaband® accessory to create a Tee junction

Tee Cover Click

Cover for Tee Click accessory



Click System does not require couplers. Only two nuts and bolts per joint, for correct connection. Accessory + cover = IP44



Click System does not require couplers. Only two nuts and bolts per joint, for correct connection. Accessory + cover = IP44



Click System does not require couplers. Only two nuts and bolts per joint, for correct connection. Accessory + cover = IP44



Click cover does not require fixings. Accessory + cover = IP44

DIM. AxB	90° Bend Click		90° Bend Cover Click		Tee Click		Tee Cover Click	
	P.G.	H.D.G.*	P.G.	H.D.G.*	P.G.	H.D.G.*	P.G.	H.D.G.*
	Reference	Reference	Reference	Reference	Reference	Reference	Reference	Reference
100x35	70020110	70030110	73020100	73030100	70022110	70032110	73022100	73032100
150x35	70020115	70030115	73020150	73030150	70022115	70032115	73022150	73032150
200x35	70020120	70030120	73020200	73030200	70022120	70032120	73022200	73032200
300x35	70020130	70030130	73020300	73030300	70022130	70032130	73022300	73032300
60x60	70020206		73020060					
100x60	70020210	70030210	73020100	73030100	70022210	70032210	73022100	73032100
150x60	70020215	70030215	73020150	73030150	70022215	70032215	73022150	73032150
200x60	70020220	70030220	73020200	73030200	70022220	70032220	73022200	73032200
300x60	70020230	70030230	73020300	73030300	70022230	70032230	73022300	73032300
400x60	70020240	70030240	73020400	73030400	70022240	70032240	73022400	73032400
500x60	70020250	70030250	73020500	73030500	70022250	70032250	73022500	73032500
600x60	70020260	70030260	73020600	73030600	70022260	70032260	73022600	73032600
200x85	•70020320	•70030320	•73020200	•73030200	•70022320	•70032320	•73022200	•73032200
300x85	•70020330	•70030330	•73020300	•73030300	•70022330	•70032330	•73022300	•73032300
400x85	•70020340	•70030340	•73020400	•73030400	•70022340	•70032340	•73022400	•73032400
500x85	•70020350	•70030350	•73020500	•73030500	•70022350	•70032350	•73022500	•73032500
600x85	•70020360	•70030360	•73020600	•73030600	•70022360	•70032360	•73022600	•73032600
200x100	70020420	70030420	73020200	73030200	70022420	70032420	73022200	73032200
300x100	70020430	70030430	73020300	73030300	70022430	70032430	73022300	73032300
400x100	70020440	70030440	73020400	73030400	70022440	70032440	73022400	73032400
500x100	70020450	70030450	73020500	73030500	70022450	70032450	73022500	73032500
600x100	70020460	70030460	73020600	73030600	70022460	70032460	73022600	73032600

Unit of sale: Each.

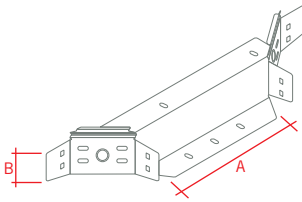
P.G. Corrosion resistance: Class 2.



H.D.G. Corrosion resistance: Class 7

• Availability whilst stocks last.

Side Entry Click

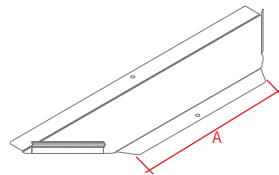
pemsaband® accessory to create a side entry





  Allows construction of a T at any point even when the trays are of different widths (eg 300-100)
Click System does not require couplers. Only two nuts and bolts per joint, for correct connection. Accessory + cover = IP44

Side Entry Cover Click

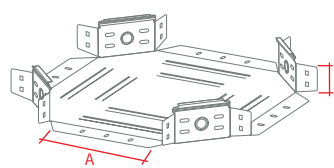
Cover for Side entry Click accessory





  Click cover does not require fixings. Accessory + cover = IP44

Crossover Click

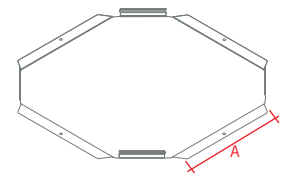
pemsaband® accessory to create a crossover





  Click System does not require couplers. Only two nuts and bolts per joint, for correct connection. Accessory + cover = IP44

Crossover Cover Click

Cover for Crossover Click accessory



  Click cover does not require fixings. Accessory + cover = IP44

DIM. AxB	Side Entry Click		Side Entry Cover Click		Crossover Click		Crossover Cover Click	
	P.G.	H.D.G.*	P.G.	H.D.G.*	P.G.	H.D.G.*	P.G.	H.D.G.*
	Reference	Reference	Reference	Reference	Reference	Reference	Reference	Reference
100x35	70023110	70033110	73023100	73033100	70024110	70034110	73024100	73034100
150x35	70023115	70033115	73023150	73033150	70024115	70034115	73024150	73034150
200x35	70023120	70033120	73023200	73033200	70024120	70034120	73024200	73034200
300x35	70023130	70033130	73023300	73033300	70024130	70034130	73024300	73034300
60x60	70023206		73023060					
100x60	70023210	70033210	73023100	73033100	70024210	70034210	73024100	73034100
150x60	70023215	70033215	73023150	73033150	70024215	70034215	73024150	73034150
200x60	70023220	70033220	73023200	73033200	70024220	70034220	73024200	73034200
300x60	70023230	70033230	73023300	73033300	70024230	70034230	73024300	73034300
400x60	70023240	70033240	73023400	73033400	70024240	70034240	73024400	73034400
500x60	70023250	70033250	73023500	73033500	70024250	70034250	73024500	73034500
600x60	70023260	70033260	73023600	73033600	70024260	70034260	73024600	73034600
200x85	•70023320	•70033320	73023200	73033200	•70024320	•70034320	73024200	73034200
300x85	•70023330	•70033330	73023300	73033300	•70024330	•70034330	73024300	73034300
400x85	•70023340	•70033340	73023400	73033400	•70024340	•70034340	73024400	73034400
500x85	•70023350	•70033350	73023500	73033500	•70024350	•70034350	73024500	73034500
600x85	•70023360	•70033360	73023600	73033600	•70024360	•70034360	73024600	73034600
200x100	70023420	70033420	73023200	73033200	70024420	70034420	73024200	73034200
300x100	70023430	70033430	73023300	73033300	70024430	70034430	73024300	73034300
400x100	70023440	70033440	73023400	73033400	70024440	70034440	73024400	73034400
500x100	70023450	70033450	73023500	73033500	70024450	70034450	73024500	73034500
600x100	70023460	70033460	73023600	73033600	70024460	70034460	73024600	73034600

Unit of sale: Each.

P.G. Corrosion resistance: Class 2.

H.D.G. Corrosion resistance: Class 7

• Availability whilst stocks last.

(*) The hot dip galvanized finish is NOT AN ACCURATE AESTHETIC FINISH. It is a very effective corrosion protection. COLOUR DIFFERENCES CAN OCCUR (shades of grey), brightness and surface finish (roughness, smoothness), created during the process employed. This is normal and does NOT AFFECT THE QUALITY AND DURATION OF THE ANTI-CORROSION PROTECTION.

Inside Riser Click

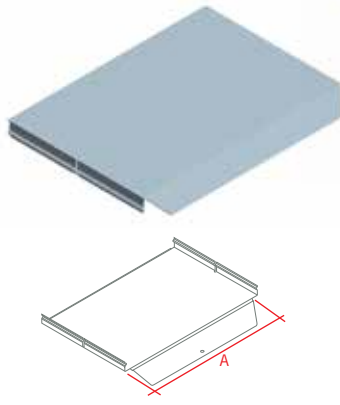
pemsaband® accessory to create a 90 degree inside riser



Click System does not require couplers. Only two nuts and bolts per joint, for correct connection. Accessory + cover = IP44

Inside Riser Cover Click

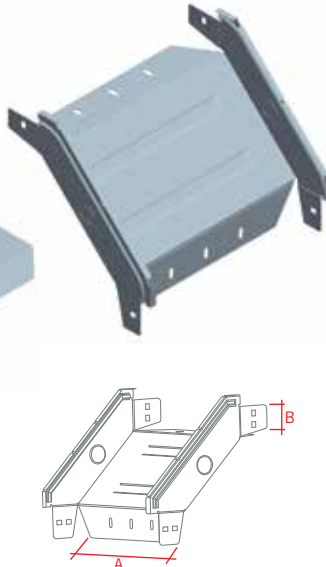
Cover for inside Riser Click accessoryk



Click cover does not require fixings. Accessory + cover = IP44

Outside Riser Click

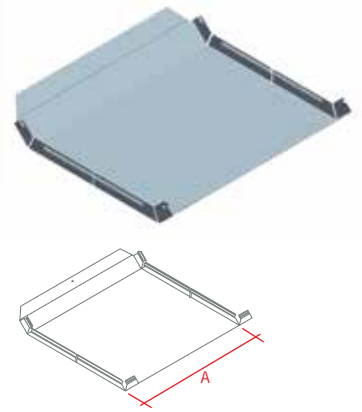
pemsaband® accessory to create a 90 degree outside riser



Click System does not require couplers. Only two nuts and bolts per joint, for correct connection. Accessory + cover = IP44

Outside Riser Cover Click

Cover for outside Riser Click accessory Click



Click cover does not require fixings. Accessory + cover = IP44

DIM. AxB	Inside Riser Click		Inside Riser Cover Click		Outside Riser Click		Outside Riser Cover Click	
	P.G.	H.D.G.*	P.G.	H.D.G.*	P.G.	H.D.G.*	P.G.	H.D.G.*
	Reference	Reference	Reference	Reference	Reference	Reference	Reference	Reference
100x35	70025110	70035110	73025100	73035100	70026110	70036110	73026100	73036100
150x35	70025115	70035115	73025150	73035150	70026115	70036115	73026150	73036150
200x35	70025120	70035120	73025200	73035200	70026120	70036120	73026200	73036200
300x35	70025130	70035130	73025300	73035300	70026130	70036130	73026300	73036300
60x60	70025206		73025060		70026206		73026060	
100x60	70025210	70035210	73025100	73035100	70026210	70036210	73026100	73036100
150x60	70025215	70035215	73025150	73035150	70026215	70036215	73026150	73036150
200x60	70025220	70035220	73025200	73035200	70026220	70036220	73026200	73036200
300x60	70025230	70035230	73025300	73035300	70026230	70036230	73026300	73036300
400x60	70025240	70035240	73025400	73035400	70026240	70036240	73026400	73036400
500x60	70025250	70035250	73025500	73035500	70026250	70036250	73026500	73036500
600x60	70025260	70035260	73025600	73035600	70026260	70036260	73026600	73036600
200x85	•70025320	•70035320	73025200	73035200	•70026320	•70036320	73026200	73036200
300x85	•70025330	•70035330	73025300	73035300	•70026330	•70036330	73026300	73036300
400x85	•70025340	•70035340	73025400	73035400	•70026340	•70036340	73026400	73036400
500x85	•70025350	•70035350	73025500	73035500	•70026350	•70036350	73026500	73036500
600x85	•70025360	•70035360	73025600	73035600	•70026360	•70036360	73026600	73036600
200x100	70025420	70035420	73025200	73035200	70026420	70036420	73026200	73036200
300x100	70025430	70035430	73025300	73035300	70026430	70036430	73026300	73036300
400x100	70025440	70035440	73025400	73035400	70026440	70036440	73026400	73036400
500x100	70025450	70035450	73025500	73035500	70026450	70036450	73026500	73036500
600x100	70025460	70035460	73025600	73035600	70026460	70036460	73026600	73036600

Unit of sale: Each.

P.G. Corrosion resistance: Class 2.

H.D.G. Corrosion resistance: Class 7

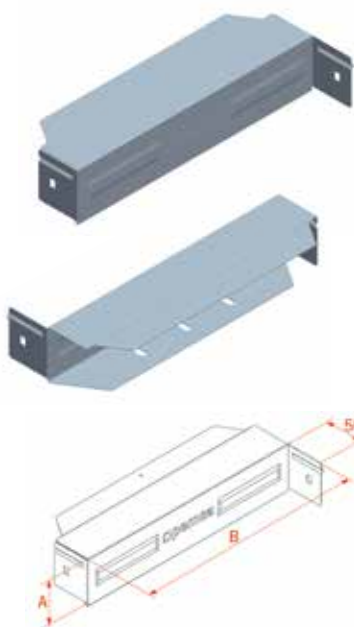
Bycro / E.B. Electrolytic Bichromate BS-EN ISO 2081
E.G. Electrogalvanised BS-EN ISO 2081, available on request

P.G. Pre-galvanised BS-EN 10346
H.D.G. Hot-dip galvanised BS-EN-ISO 1461

S.S. 304 Passivated stainless steel AISI 304
S.S. 316 Passivated stainless steel AISI 316

Reducer

pemsaband® accessory to create a reducer



facilitates the reduction of width in the **pemsa**band® tray.

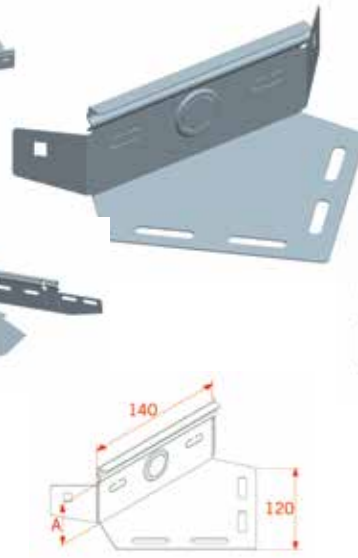
Adjustable Bend Click

Bend with variable angle from 90° to 180°



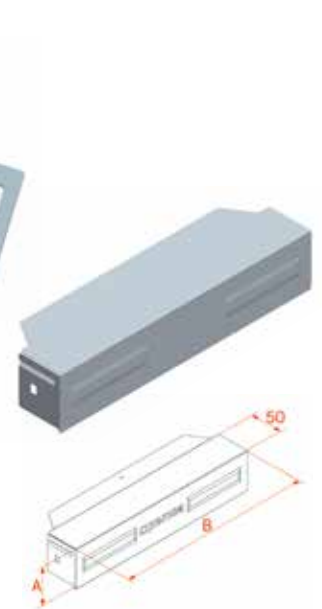
Universal Corner

versatile piece for **pemsa**band® trays. Allows the creation of various accessories



End Cover

pemsaband® accessory for closure of the extreme ends



Final end unit for the **pemsa**band® tray system. Ensures overall security of the assembly..

DIM. AxB	Reducer		Adjustable Bend Click		Universal Corner		End Cover	
	P.G.	H.D.G.*	P.G.	H.D.G.*	P.G.	H.D.G.*	P.G.	H.D.G.*
	Reference	Reference	Reference	Reference	Reference	Reference	Reference	Reference
100x35	71021010	71031010	70028110	70038110	70021100	70031100	71021010	70039110
150x35	71021015	71031015	70028115	70038115	70021100	70031100	71021015	70039115
200x35	71021020	71031020	70028120	70038120	70021100	70031100	71021020	70039120
300x35	71021030	71031030	70028130	70038130	70021100	70031100	71021030	70039130
60x60								
100x60	71022010	71032010	70028210	70038210	70021200	70031200	71022010	70039210
150x60	71022015	71032015	70028215	70038215	70021200	70031200	71022015	70039215
200x60	71022020	71032020	70028220	70038220	70021200	70031200	71022020	70039220
300x60	71022030	71032030	70028230	70038230	70021200	70031200	71022030	70039230
400x60		71032040			70021200	70031200		70039240
500x60		71032050			70021200	70031200		70039250
600x60		71032060			70021200	70031200		70039260
200x85		71033020			70021300	70031300		70039320
300x85		71033030			70021300	70031300		70039330
400x85		71033040			70021300	70031300		70039340
500x85		71033050			70021300	70031300		70039350
600x85		71033060			70021300	70031300		70039360
200x100		71034020			70021400	70031400		70039420
300x100		71034030			70021400	70031400		70039430
400x100		71034040			70021400	70031400		70039440
500x100		71034050			70021400	70031400		70039450
600x100		71034060			70021400	70031400		70039460

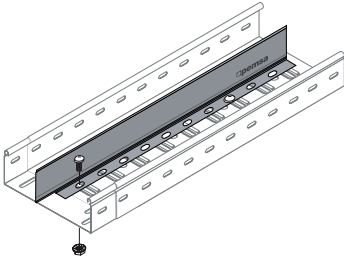
Unit of sale: Each.

P.G. Corrosion resistance: Class 2.

H.D.G. Corrosion resistance: Class 7

(*) The hot dip galvanized finish is NOT AN ACCURATE AESTHETIC FINISH. It is a very effective corrosion protection. COLOUR DIFFERENCES CAN OCCUR (shades of grey), brightness and surface finish (roughness, smoothness), created during the process employed. This is normal and does NOT AFFECT THE QUALITY AND DURATION OF THE ANTI-CORROSION PROTECTION.

Click Divider



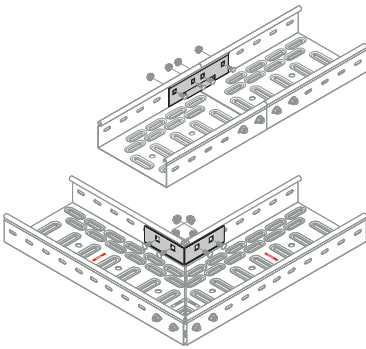
A	Flange	Click Divider			
		P.G.	H.D.G.*	Unit of Sale	Pack Unit
		Reference	Reference		
25	35	67020610	67030610	3	20
50	60	67020611	67030611	3	16
80	85	67020612	67030612	3	12



3M LENGTH



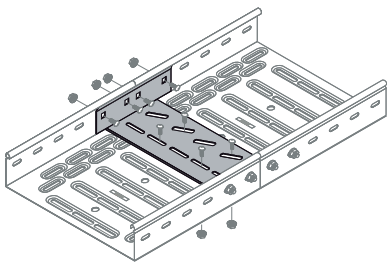
Coupler



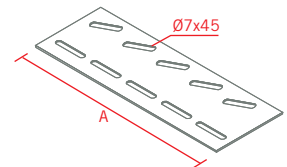
A	Flange	Coupler		
		P.G.	H.D.G.*	Pack Unit
		Reference	Reference	
18	35	71021005	71031005	50
44	60	71022005	71032005	50
67	85/100	71023005	71033005	25



Central Joiner

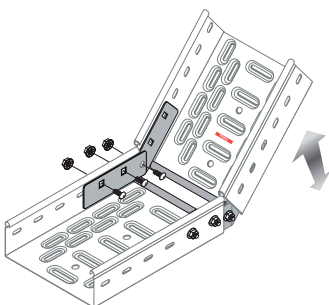


A	Central Joiner		
	P.G.	H.D.G.*	Pack Unit
	Reference	Reference	
300	71020300	71030300	10
400	71020400	71030400	10
500	71020500	71030500	10
600	71020600	71030600	10

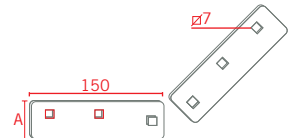


USE ONLY WITH 300-600 TRAYS

Riser/Dropper



A	Flange	Riser/Dropper		
		P.G.	H.D.G.*	Pack Unit
		Reference	Reference	
18	35	71021006	71031006	4
44	60	71022006	71032006	4



FOUR UNITS REQUIRED FOR EACH RISER/DROPPER

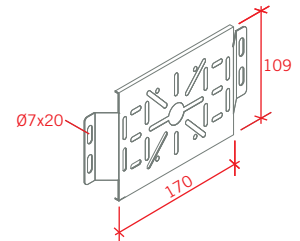
- Bolts not included

Universal Bracket (pemsaband®)



Universal Bracket (pemsaband®)		
P.G.	H.D.G.*	
Reference	Reference	Pack Unit
70420911	70430911	10

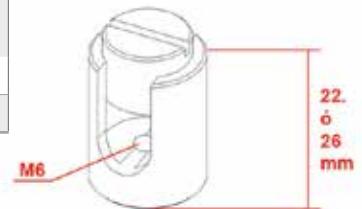
- For installing boxes use M5 bolts.



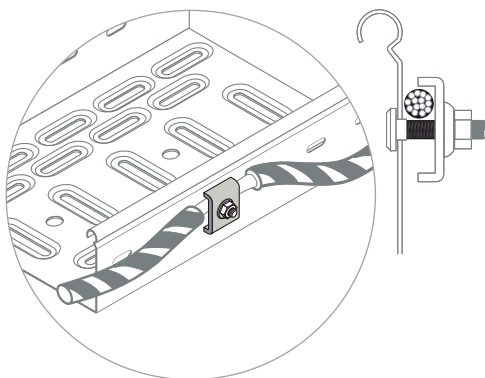
Earth Terminal (pemsaband®)



Earth Terminal (pemsaband®)		
Brass		
Cables (mm ²)	Reference	Pack Unit
16-50mm ²	68000034	20
50-110mm ²	68000035	20

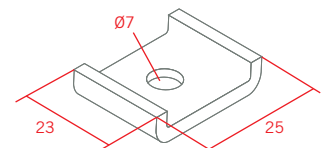


Connector Plate

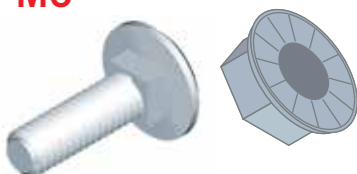


Connector Plate		
E.B.	H.D.G.*	
Reference	Reference	Pack Unit
64020062	64030062	20

- Suitable for 16-35 mm Al /Cu cables.



Pemsaband Joint Kit M6



DIM	Pemsaband Joint Kit M6		
	E.G.	H.D.G.*	
	Reference	Reference	Pack Unit
6x12	67010093	67030093	100

(*) The hot dip galvanized finish is NOT AN ACCURATE AESTHETIC FINISH. It is a very effective corrosion protection. COLOUR DIFFERENCES CAN OCCUR (shades of grey), brightness and surface finish (roughness, smoothness), created during the process employed. This is normal and does NOT AFFECT THE QUALITY AND DURATION OF THE ANTI-CORROSION PROTECTION.

Protector



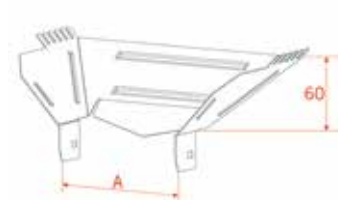
Protector	
Reference	Pack Unit
71000000	25



- For ends & edges.
- Supplied in 25m lengths.

Base Entry rejiband® pemsaband®

A	Flange	Base Entry rejiband® pemsaband®		
		P.G.	H.D.G.*	Pack Unit
		Reference	Reference	
100x60	60	70027100	70037100	Each
150x60	60	70027150	70037150	Each



rejiband® pemsaband® Coupler

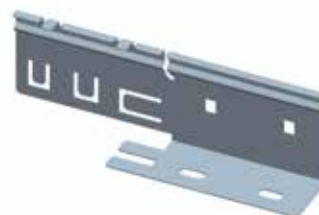
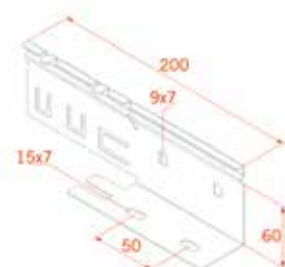


rejiband® pemsaband® Coupler		
P.G.	H.D.G.*	Pack Unit
Reference	Reference	
70120200	70130200	Each

Contents: Each package contains two parts, one for each flange.



SPECIAL COUPLER FOR JOINING rejiband® DIRECTLY TO pemsaband®





Supports & Structures

1
SELECT THE TRAY
rejiband®
megaband®
pemsaband®

rejiband® megaband® & pemsaband® Tray Systems

Metal Tray

SELECT THE TRAY ▶

Omega **SPLUS** Supports

For more information on **rejiband®** see pages 6 and 7

RANGE OF SUPPORTS FOR MEDIUM LOADS COMPATIBLE WITH ALL TRAYS ON THE MARKET: **rejiband®**, METAL AND PVC TRAYS.

WALL
Universal Bracket

CEILING
Ceiling Bracket

**CEILING WITH THREADED
RODS**
Channel

2
SELECT
WIDTH

3
SELECT
PRODUCT
AND FINISH



Hang with threaded rod (Page 15)

DIM. AxB	Universal Bracket Omega SPLUS				Ceiling Bracket Omega SPLUS				Channel Omega SPLUS		Pack Unit
	P.G.	H.D.G.*	S.S. 304	S.S. 316	P.G.	H.D.G.*	S.S. 304	S.S. 316	P.G.	H.D.G.*	
	Reference	Reference	Reference	Reference	Reference	Reference	Reference	Reference	Reference	Reference	
r p 100x35	62021104	62031104	62051104	62061104	62022104	62032104	62052104	62062104	63022104	63032104	5/4/10
r p 150x35	62021154	62031154	62051154	62061154	62022154	62032154	62052154	62062154	63022154	63032154	5/4/10
r p 200x35	62021204	62031204	62051204	62061204	62022204	62032204	62052204	62062204	63022204	63032204	5/4/10
r p 300x35	62021304	62031304	62051304	62061304	62022304	62032304	62052304	62062304	63022304	63032304	5/4/10
r p 400x35	62021404	62031404	62051404	62061404	62022404	62032404	62052404	62062404	63022404	63032404	5/4/10
r p 100x60	62021104	62031104	62051104	62061104	62022104	62032104	62052104	62062104	63022104	63032104	5/4/10
r p 150x60	62021154	62031154	62051154	62061154	62022154	62032154	62052154	62062154	63022154	63032154	5/4/10
r p 200x60	62021204	62031204	62051204	62061204	62022204	62032204	62052204	62062204	63022204	63032204	5/4/10
r p 300x60	62021304	62031304	62051304	62061304	62022304	62032304	62052304	62062304	63022304	63032304	5/4/10
r p 400x60	62021404	62031404	62051404	62061404	62022404	62032404	62052404	62062404	63022404	63032404	5/4/10
r p 500x60									63022504	63032504	5/4/10
r p 600x60									63022604	63032604	5/4/10
p 200x85	62021204	62031204	62051204	62061204	62022204	62032204	62052204	62062204	63022204	63032204	5/4/10
p 300x85	62021304	62031304	62051304	62061304	62022304	62032304	62052304	62062304	63022304	63032304	5/4/10
p 400x85	62021404	62031404	62051404	62061404	62022404	62032404	62052404	62062404	63022404	63032404	5/4/10
p 500x85									63022504	63032504	5/4/10
p 600x85									63022604	63032604	5/4/10
r p 200x100	62021204	62031204	62051204	62061204	62022204	62032204	62052204	62062204	63022204	63032204	5/4/10
r p 300x100	62021304	62031304	62051304	62061304	62022304	62032304	62052304	62062304	63022304	63032304	5/4/10
r p 400x100	62021404	62031404	62051404	62061404	62022404	62032404	62052404	62062404	63022404	63032404	5/4/10
r p 500x100									63022504	63032504	5/4/10
r p 600x100									63022604	63032604	5/4/10

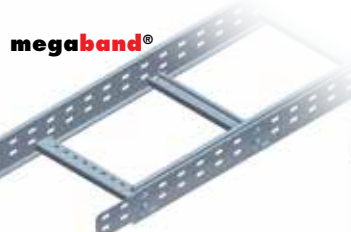
r All widths are available for **rejiband®**
p All widths are available for **pemsaband®**

For more information on the range of **Omega SPLUS** Supports see page 48

Bycro / E.B. Electrolytic Bichromate BS-EN ISO 2081
E.G. Electrogalvanised BS-EN ISO 2081, available on request

P.G. Pre-galvanised BS-EN 10346
H.D.G. Hot-dip galvanised BS-EN-ISO 1461

S.S. 304 Passivated stainless steel AISI 304
S.S. 316 Passivated stainless steel AISI 316



RPLUS Supports

For more information on **pemsaband®** see pages 34 to 36.

RANGE OF SUPPORTS FOR HIGH LOADS, COMPATIBLE WITH ALL TRAYS ON THE MARKET: **pemsaband®**, METAL AND PVC TRAYS.

Medium Duty Cantilever P.G.

Medium Duty Cantilever H.D.G. and S.S.

Heavy Duty Cantilever

Adjustable Cantilever



Medium Duty Cantilever RPLUS		Medium Duty Cantilever RPLUS		Heavy Duty Cantilever RPLUS		Adjustable Cantilever RPLUS		
P.G.	H.D.G.*	S.S. 304	S.S. 316	H.D.G.*	H.D.G.*			
Reference	Reference	Reference	Reference	Reference	Reference	Reference		
62025103	62035103	62055103	62065103		62035103 (*)			4
62025153	62035153	62055153	62065153		62035153 (*)			4
62025203	62035203	62055203	62065203		62035203 (*)			4
62025303	62035303	62055303	62065303	63033303	62035303 (*)			4
62025403	62035403	62055403	62065403	63033403	62035403 (*)			4
62025103	62035103	62055103	62065103		62035103 (*)			4
62025153	62035153	62055153	62065153		62035153 (*)			4
62025203	62035203	62055203	62065203		62035203 (*)			4
62025303	62035303	62055303	62065303	63033303	62035303 (*)			4
62025403	62035403	62055403	62065403	63033403	62035403 (*)			4
62025503	62035503	62055503	62065503	63033503	62035503 (*)			4
62025603	62035603	62055603	62065603	63032703	62035603 (*)			4
62025203	62035203	62055203	62065203		62035203 (*)			4
62025303	62035303	62055303	62065303	63033303	62035303 (*)			4
62025403	62035403	62055403	62065403	63033403	62035403 (*)			4
62025503	62035503	62055503	62065503	63033503	62035503 (*)			4
62025603	62035603	62055603	62065603	63032703	62035603 (*)			4
62025203	62035203	62055203	62065203		62035203 (*)			4
62025303	62035303	62055303	62065303	63033303	62035303 (*)			4
62025403	62035403	62055403	62065403	63033403	62035403 (*)			4
62025503	62035503	62055503	62065503	63033503	62035503 (*)			4
62025603	62035603	62055603	62065603	63032703	62035603 (*)			4

(*) Also available in lengths from 700 to 1,000mm in H.D.G. finish. See page 41.

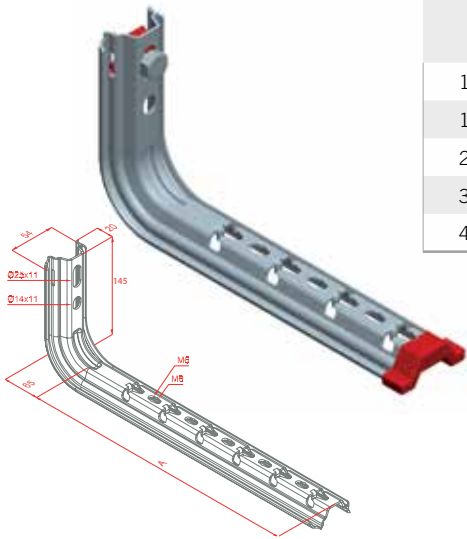
(*) An Adjustable Support Kit (62037002) is required to create an adjustable cantilever RPLUS. See page 49.

For more information on the range of **RPLUS Supports** see page 49.

(*) The hot dip galvanized finish is NOT AN ACCURATE AESTHETIC FINISH. It is a very effective corrosion protection. COLOUR DIFFERENCES CAN OCCUR (shades of grey), brightness and surface finish (roughness, smoothness), created during the process employed. This is normal and does NOT AFFECT THE QUALITY AND DURATION OF THE ANTI-CORROSION PROTECTION.

RANGE OF SUPPORTS FOR MEDIUM LOADS, COMPATIBLE WITH ALL TRAYS ON THE MARKET: **rejiband®**, METAL AND PVC TRAYS.

Omega **SPLUS** Universal Bracket

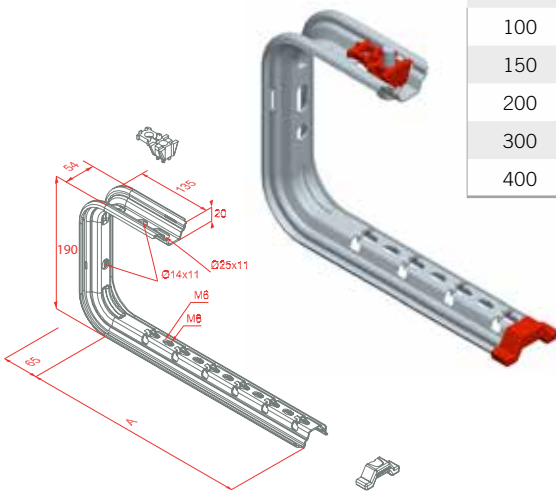


DIM. A	Omega SPLUS Universal Bracket				
	P.G.	H.D.G.*	S.S. 304	S.S. 316	Pack Unit
	Reference	Reference	Reference	Reference	
100	62021104	62031104	62051104	62061104	5
150	62021154	62031154	62051154	62061154	5
200	62021204	62031204	62051204	62061204	5
300	62021304	62031304	62051304	62061304	5
400	62021404	62031404	62051404	62061404	5



- New Click System allows quick attachment of the tray.
- Universal, 50% reduction of references.
- Compatible with **rejiband®**, metal and PVC trays.
- New reinforced Omega profile. Increases the performance of the support.
- Patented.
- Includes protective cap and omega plug for easy installation and provides extra protection to the installer.

Omega **SPLUS** Ceiling Bracket

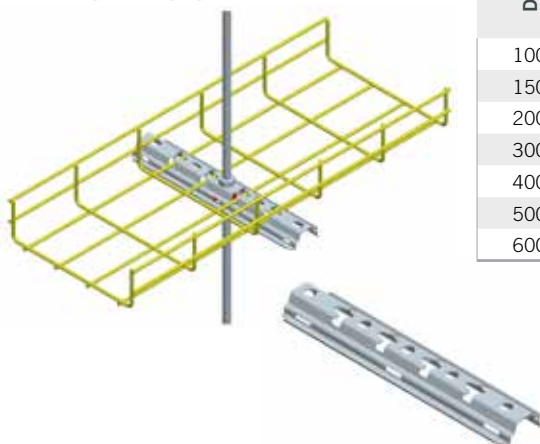


DIM. A	Omega SPLUS Ceiling Bracket				
	P.G.	H.D.G.*	S.S. 304	S.S. 316	Pack Unit
	Reference	Reference	Reference	Reference	
100	62022104	62032104	62052104	62062104	4
150	62022154	62032154	62052154	62062154	4
200	62022204	62032204	62052204	62062204	4
300	62022304	62032304	62052304	62062304	4
400	62022404	62032404	62052404	62062404	4

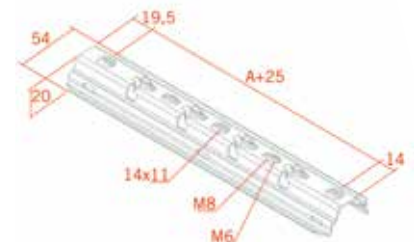


- New Click System allows quick attachment of the tray.
- Universal, 50% reduction of references.
- Compatible with **rejiband®**, metal and PVC trays.
- New reinforced Omega profile. Increases the performance of the support.
- Patented.
- Includes protective cap and omega plug for easy installation and provides extra protection to the installer.

Omega Channel **SPLUS**



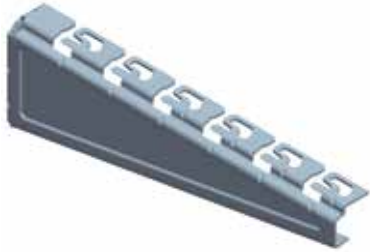
DIM. A	Omega Channel SPLUS		
	P.G.	H.D.G.*	Pack Unit
	Reference	Reference	
100	63022104	63032104	10
150	63022154	63032154	10
200	63022204	63032204	10
300	63022304	63032304	10
400	63022404	63032404	10
500	63022504	63032504	10
600	63022604	63032604	10



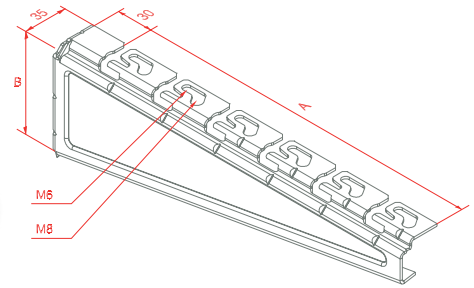
- New Click System allows quick attachment of the tray.
- Universal, 50% reduction of references.
- Compatible with **rejiband®**, metal and PVC trays.
- New reinforced Omega profile. Increases the performance of the support.
- Patented.
- Includes Omega plug for stability and ease of installation.

RANGE OF SUPPORTS FOR MEDIUM LOADS, COMPATIBLE WITH ALL TRAYS ON THE MARKET: **rejiband**[®], METAL AND PVC TRAYS.

Medium Duty Cantilever **RPLUS** P.G.



DIM. A	Medium Duty Cantilever RPLUS	
	P.G.	Pack Unit
	Reference	Pack Unit
100	62025103	4
150	62025153	4
200	62025203	4
300	62025303	4
400	62025403	4
500	62025503	4
600	62025603	4

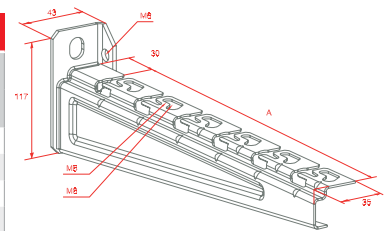


- New Click System allows quick attachment of the tray.
- Universal, 50% reduction of references.
- Compatible with **rejiband**[®], metal and PVC trays.
- Patented System.

Medium Duty Cantilever **RPLUS** H.D.G. and S.S.



DIM. A	Medium Duty Cantilever RPLUS			Pack Unit
	H.D.G.*	S.S. 304	S.S. 316	
	Reference	Reference	Reference	Pack Unit
100	62035103	62055103	62065103	4
150	62035153	62055153	62065153	4
200	62035203	62055203	62065203	4
300	62035303	62055303	62065303	4
400	62035403	62055403	62065403	4
500	62035503	62055503	62065503	4
600	62035603	62055603	62065603	4
700	62035703			4
750	62035753			4
800	62035803			4
900	62035903			4
1000	62035993			4

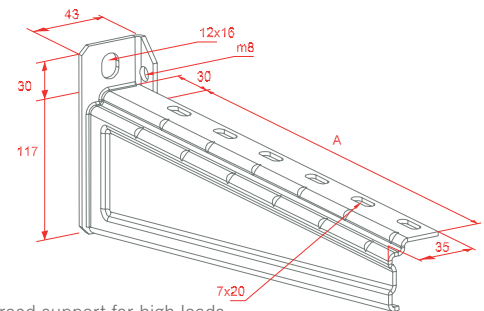


- New Click System allows quick attachment of the tray.
- Universal, 50% reduction of references.
- Compatible with **rejiband**[®], **megaband**[®], metal and PVC trays.
- Patented System.

Heavy Duty Cantilever **RPLUS**



DIM. A	Heavy Duty Cantilever RPLUS	
	H.D.G.*	Pack Unit
	Reference	Pack Unit
300	63033303	4
400	63033403	4
500	63033503	4
600	63033603	4



- Reinforced support for high loads.

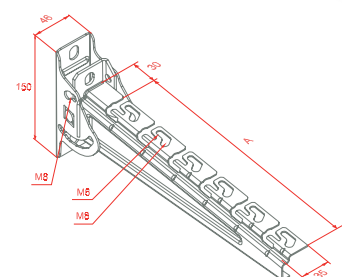
Adjustable **RPLUS** Cantilever



62037002 + 62035XX3

DIM. A	Medium Duty Cantilever RPLUS	
	H.D.G.*	Pack Unit
	Reference	Pack Unit
100	62035103	4
150	62035153	4
200	62035203	4
300	62035303	4
400	62035403	4
500	62035503	4
600	62035603	4

Adjustable RPLUS Kit	
H.D.G.*	Pack Unit
Reference	Pack Unit
62037002	4

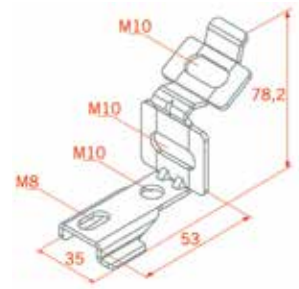


(*) The hot dip galvanized finish is NOT AN ACCURATE AESTHETIC FINISH. It is a very effective corrosion protection. COLOUR DIFFERENCES CAN OCCUR (shades of grey), brightness and surface finish (roughness, smoothness), created during the process employed. This is normal and does NOT AFFECT THE QUALITY AND DURATION OF THE ANTI-CORROSION PROTECTION.

E90 RPLUS Connector



E90 RPLUS Connector	
H.D.G.*	Pack Unit
Reference	Pack Unit
62035001	15



- Unique accessory to create an E90 compliant assembly.
- Allows direct connection of the rod, from the ceiling or wall, to the RPLUS bracket.
- For more information see E90 Product Solutions pages 58 to 63

E90 Omega SPLUS Connector



E90 Omega SPLUS Connector	
H.D.G.*	Pack Unit
Reference	Pack Unit
62031090	60

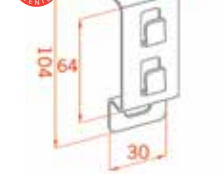


- Unique accessory to create an E90 compliant assembly.
- Allows direct connection of the rod, from the ceiling or wall, to the SPLUS bracket.
- For more information see E90 Product Solutions pages 58 to 63
- To attach the E90 Omega connector (62031090) to the Omega SPLUS bracket fixings 64030160 (page 9) or 61030109 (page 52) should be used.

Side Support 60



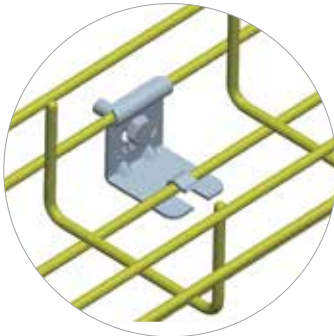
Side Support 60				
E.B.	E.G.	H.D.G.*	S.S. 316	Pack Unit
Reference	Reference	Reference	Reference	Pack Unit
62021060	62011060	62031060	62061060	25



ESSENTIAL FOR 60X60 rejiband®

- For fixing **rejiband®** 60x60 to the wall or suspending on a rod.
- Can also be used in pairs for suspending wider widths of tray on rods.

Light Duty Wall Support



Light Duty Wall Support			
E.B.	E.G.	H.D.G.*	Pack Unit
Reference	Reference	Reference	Pack Unit
62026021	62016021	62036021	25

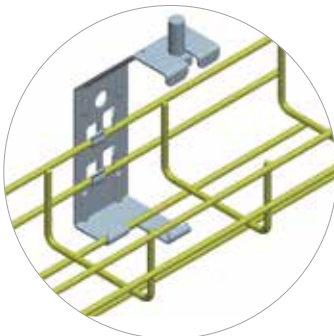


EASY INSTALLATION

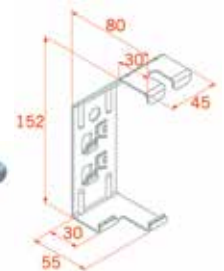
- Suitable for **rejiband®** 35x60, 35x100 and 60x100.



Light Duty Ceiling Support



Light Duty Ceiling Support			
E.B.	E.G.	H.D.G.*	Pack Unit
Reference	Reference	Reference	Pack Unit
62026020	62016020	62036020	36

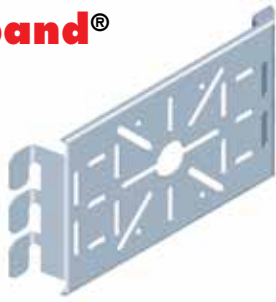



EASY INSTALLATION

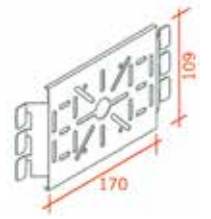
- Suitable for **rejiband®** 35 and 60 flange, 60, 100 and 150 wide. Except for 35x60.



Universal Bracket rejiband®




Universal Bracket rejiband ®			
P.G.	H.D.G.*	S.S. 316	
Reference	Reference	Reference	Pack Unit
62026011	62036011	62066011	10

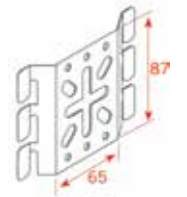


- For installing boxes, use M5 bolts.

Mini Universal Bracket




Mini Universal Bracket			
P.G.	H.D.G.*	S.S. 316	
Reference	Reference	Reference	Pack Unit
62026010	62036010	62066010	10



- For installing boxes, use M5 bolts.

Omega **SPLUS** Protector



Omega SPLUS Protector	
Plastic	
Reference	Pack Unit
62031084	50




NEW DESIGN

- Improved design allows the Omega SPLUS to stack, saving space.
- Protects the installer when fitting trays

Omega **SPLUS** Plug



Omega SPLUS Plug	
Plastic	
Reference	Pack Unit
62031085	50




- Prevents the crushing of the SPLUS Omega Bracket.
- Available for Omega SPLUS Brackets, SPLUS Ceiling Brackets and SPLUS Mesh Channel.

Floor Foot

(Reinforced)



Floor Foot	
Plastic	
Reference	Pack Unit
68000060	Each



PRESS FIT

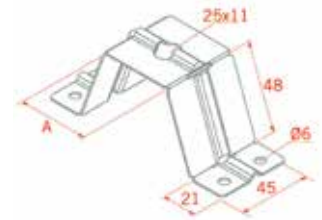


(*) The hot dip galvanized finish is NOT AN ACCURATE AESTHETIC FINISH. It is a very effective corrosion protection. COLOUR DIFFERENCES CAN OCCUR (shades of grey), brightness and surface finish (roughness, smoothness), created during the process employed. This is normal and does NOT AFFECT THE QUALITY AND DURATION OF THE ANTI-CORROSION PROTECTION.

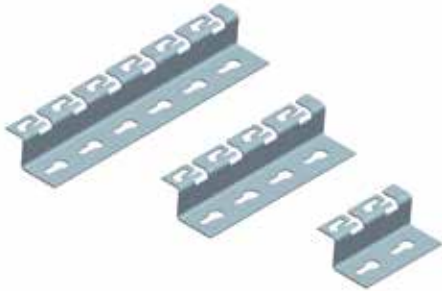
Metal Foot



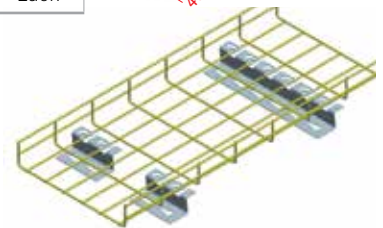
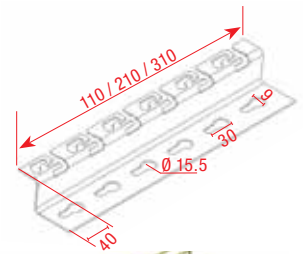
DIM. A	Metal Foot		
	P.G.	H.D.G.*	Pack Unit
	Reference	Reference	
45	67020020	67030020	10
90	67020120	67030120	10



Stand off Bracket



DIM. A	Stand off Bracket				
	P.G.	H.D.G.*	S.S. 304	S.S. 316	Pack Unit
	Reference	Reference	Reference	Reference	
100	67020520	67030520	67050520	67060520	Each
200	67020522	67030522	67050522	67060522	Each
300	67020524	67030524	67050524	67060524	Each



Ceiling Rod Bracket



Ceiling Rod Bracket	
P.G.	Pack Unit
Reference	67030060
	10

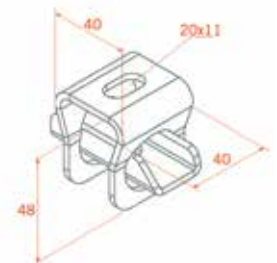
- Use with M8/M10 rods.



Variable Ceiling Rod Bracket



Variable Ceiling Rod Bracket	
H.D.G.*	Pack Unit
Reference	67030061
	Each



Threaded Rod M6/M8/M10



DIM. A	Threaded Rod M6/M8/M10			
	E.B.	E.G.	S.S. 316	Pack Unit
	Reference	Reference	Reference	
6x500	67020140	67010140		Each
6x1000	67020141	67010141	67060141	Each
8x500	67020044		67060044	Each
8x1000	67020045		67060045	Each
10x1000	67020145		67060145	Each



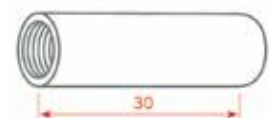
EXPANDED RANGE

M8 Rod Connector



M8 Rod Connector	
E.B.	Pack Unit
Reference	67020067
	50

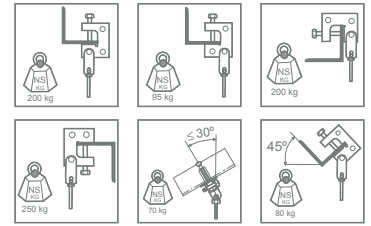
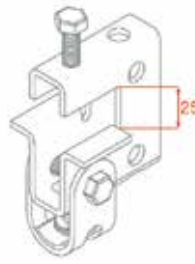
- To join M8 Threaded Rod



Beam Clamp Hanging Assembly



Beam Clamp Hanging Assembly	
E.G.	
Reference	Pack Unit
67020048	Each



Panel Sandwich Support

(Metal Foot)



DIM.	Panel Sandwich Support		
	P.G.	H.D.G.*	
	Reference	Reference	Pack Unit
45	67020020	67030020	10
90	67020120	67030120	10

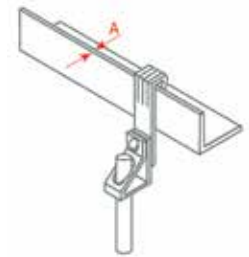
NEW



Vertical Angle Hanger



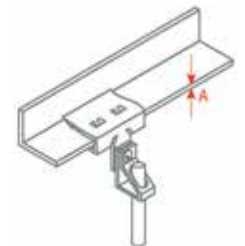
DIM. A	Vertical Angle Hanger	
	Passivated	
	Reference	Pack Unit
1.50/5	68000731	100
4.00/10	68000732	100



Horizontal Angle Hanger



DIM. A	Horizontal Angle Hanger	
	Passivated	
	Reference	Pack Unit
1.50/5	68000721	100
5.00/9	68000722	100

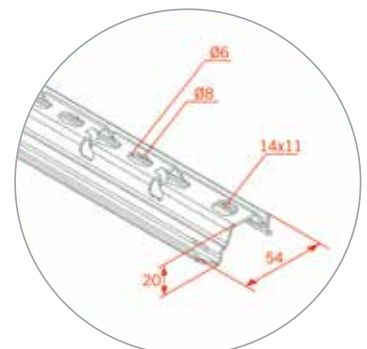


Omega Channel **SPLUS**



Length (metres)	Omega Channel SPLUS		
	P.G.	H.D.G.*	
	Reference	Reference	Pack Unit
1	67020110	67030110	Each
2	67020111	67030111	Each
3	67020112	67030112	Each

NEW



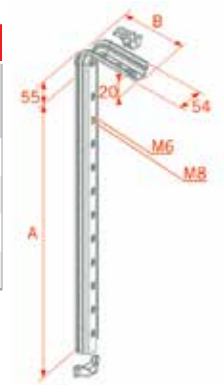
- Same Click connection system as the SPLUS Omega range.
- Suitable for installing multiple lines of trays etc.
- Available in 1, 2 and 3 m lengths for cutting to size on site.

(*) The hot dip galvanized finish is NOT AN ACCURATE AESTHETIC FINISH. It is a very effective corrosion protection. COLOUR DIFFERENCES CAN OCCUR (shades of grey), brightness and surface finish (roughness, smoothness), created during the process employed. This is normal and does NOT AFFECT THE QUALITY AND DURATION OF THE ANTI-CORROSION PROTECTION.

Omega **SPLUS** Bracket/Pendant



DIM. A	Omega SPLUS Bracket/Pendant				
	P.G.	H.D.G.*	S.S. 304	S.S. 316	pack Unit
	Reference	Reference	Reference	Reference	
300	62021304	62031304	62051304	62061304	5
400	62021404	62031404	62051404	62061404	5
500	62021504	62031504	62051504	62061504	5
600	62021604	62031604	62051604	62061604	5

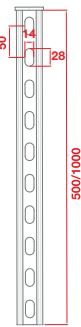
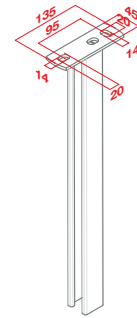


- New reinforced profile, increases the load capacity.

Heavy Duty Pendant Drop 41x41



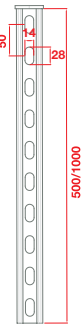
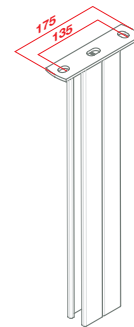
DIM.	Heavy Duty Pendant Drop 41x41	
	H.D.G.*	pack Unit
	Reference	Pack Unit
500	67030660	Each
1000	67030661	Each



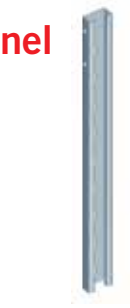
Double Heavy Duty Pendant Drop 41x41



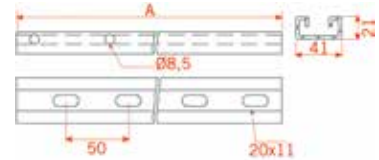
DIM.	Double Heavy Duty Pendant Drop 41x41	
	H.D.G.*	pack Unit
	Reference	Pack Unit
500	67030662	Each
1000	67030663	Each



Heavy Duty Pendant Channel



DIM. A	Heavy Duty Pendant Channel	
	P.G.	pack Unit
	Reference	Pack Unit
500	67030646	Each
1000	67030647	Each

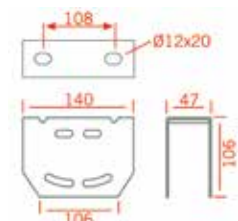


Heavy Duty Pendant Boss

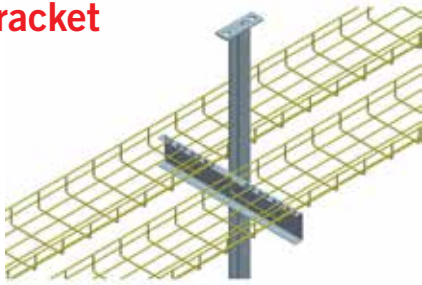


Heavy Duty Pendant Boss		
P.G.	H.D.G.*	pack Unit
Reference	Reference	Pack Unit
67030645	67030644	Each

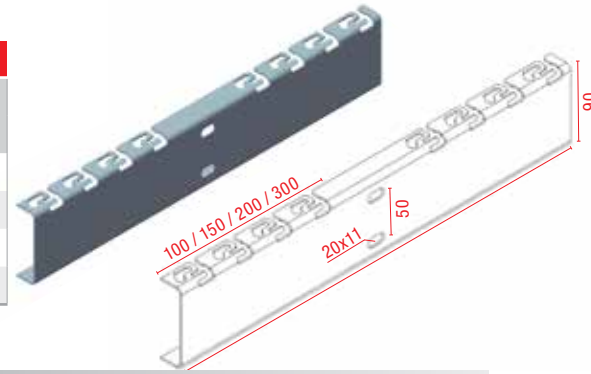
- M8x65 screws not included.
- See reference 61020092, page 52.



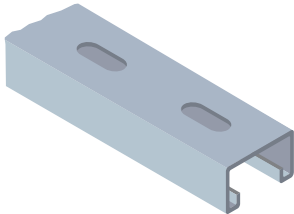
Symmetrical Rplus Bracket



DIM.	Symmetrical Rplus Bracket	
	H.D.G.*	Pack Unit
	Reference	
100	63034103	Each
150	63034153	Each
200	63034203	Each
300	63034303	Each

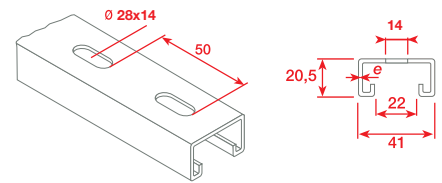


Light Duty Channel 41x21

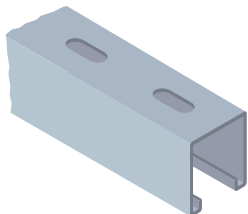


Light Duty Channel 41x21	
P.G.	Pack Unit (m)
Reference	3
67030075	

- e = 1.5 mm.
- Length 3 m

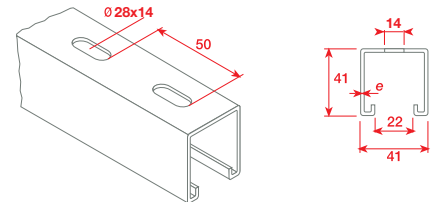


Light Duty Channel 41x41

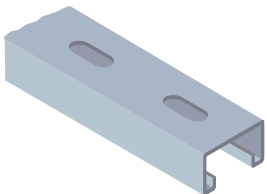


Light Duty Channel 41x41	
P.G.	Pack Unit (m)
Reference	3
67030074	

- e = 1.5 mm.
- Length 3 m

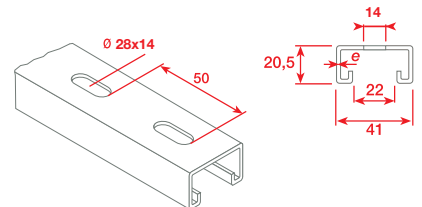


Heavy Duty Channel 41x21

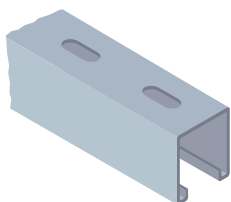


Heavy Duty Channel 41x21			
P.G.	H.D.G.*	S.S. 316	Pack Unit (m)
Reference	Reference	Reference	3
67030052	67030055	67060055	

- e = 2.5 mm.
- Length 3 m

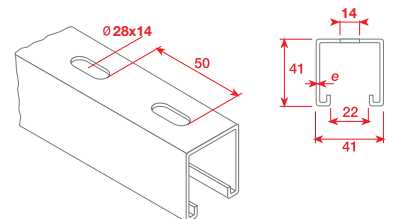


Heavy Duty Channel 41x41

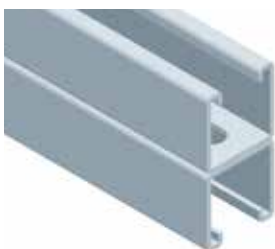


Heavy Duty Channel 41x41			
P.G.	H.D.G.*	S.S. 316	Pack Unit (m)
Reference	Reference	Reference	3
67030053	67030057	67060057	

- e = 2.5 mm.
- Length 3 m

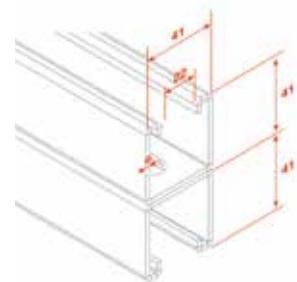


Heavy Duty Channel 41x82



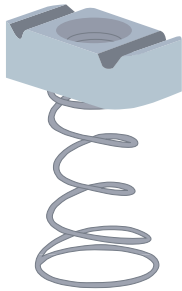
Heavy Duty Channel 41x82	
H.D.G.*	Pack Unit (m)
Reference	3
67030157	

- e = 2.5 mm.
- Length 3 m



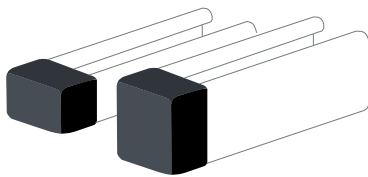
(*) The hot dip galvanized finish is NOT AN ACCURATE AESTHETIC FINISH. It is a very effective corrosion protection. COLOUR DIFFERENCES CAN OCCUR (shades of grey), brightness and surface finish (roughness, smoothness), created during the process employed. This is normal and does NOT AFFECT THE QUALITY AND DURATION OF THE ANTI-CORROSION PROTECTION.

Spring Channel Nut M10

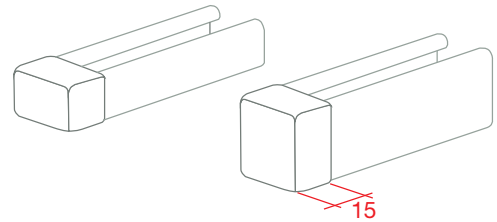


DIM	Spring Channel Nut M10		
	P.G.	H.D.G.*	
	Reference	Reference	
21	67020058	67030058	100
41	67020158	67030158	100

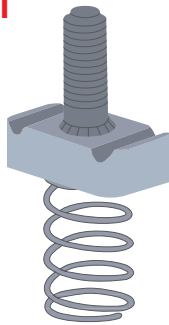
Channel End Plug



DIM	Channel End Plug	
	Plastic	
	Reference	Pack Unit
21	68000075	100
41	68000074	100



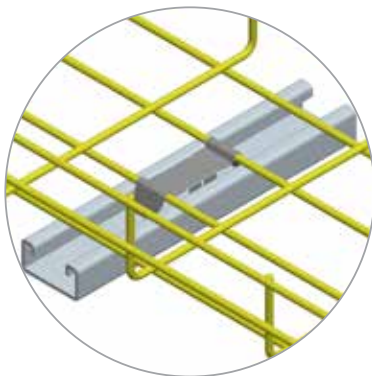
Spring Channel Screw M10



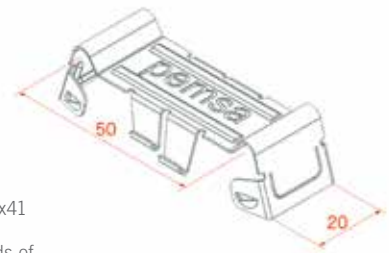
Spring Channel Screw M10	
P.G.	
Reference	Pack Unit
67020159	100

Channel Strut Clip

(Stainless Steel)

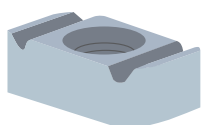


Channel Strut Clip	
S.S. 316	
Reference	Pack Unit
67060050	100



- Allows quick installation to 41x21 or 41x41 channel.
- Compatible with all of the leading brands of Channel.
- Can be used with all sizes of **rejiband®** except 35x60 and 60x60.

Plain Channel Nut

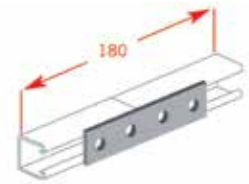


DIM	Plain Channel Nut			
	E.G.	H.D.G.*	S.S. 316	
	Reference	Reference	Reference	
M6	67020055			100
M8	67010056	67030056	67060056	100
M10			67060058	100

Splice Plate No.1



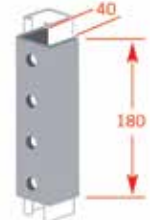
Splice Plate No.1	
H.D.G.*	
Reference	Pack Unit
67030205	Each



U Shape Splice Plate No.2



U Shape Splice Plate No.2	
H.D.G.*	
Reference	Pack Unit
67030214	Each



90° 2 Hole Angle Bracket No.3



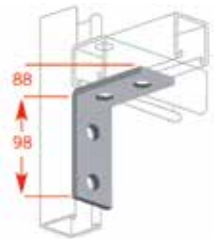
90° 2 Hole Angle Bracket No.3	
H.D.G.*	
Reference	Pack Unit
67030201	Each



90° 4 Hole Angle Bracket No.4



90° 4 Hole Angle Bracket No.4	
H.D.G.*	
Reference	Pack Unit
67030202	Each



45° External Angle Bracket No.5



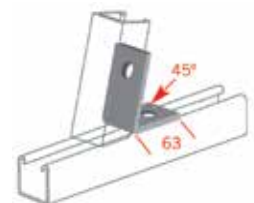
45° External Angle Bracket No.5	
H.D.G.*	
Reference	Pack Unit
67030210	Each



45° Internal Angle Bracket No.6



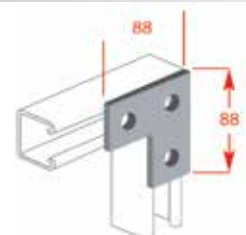
45° Internal Angle Bracket No.6	
H.D.G.*	
Reference	Pack Unit
67030209	Each



L Bracket No.7



L Bracket No.7	
H.D.G.*	
Reference	Pack Unit
67030211	Each

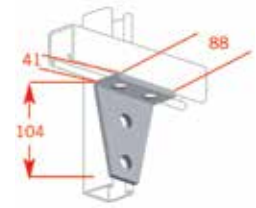


(* The hot dip galvanized finish is NOT AN ACCURATE AESTHETIC FINISH. It is a very effective corrosion protection. COLOUR DIFFERENCES CAN OCCUR (shades of grey), brightness and surface finish (roughness, smoothness), created during the process employed. This is normal and does NOT AFFECT THE QUALITY AND DURATION OF THE ANTI-CORROSION PROTECTION.

90° Tee Joint No.8



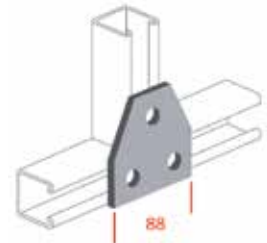
90° Tee Joint No.8	
H.D.G.*	
Reference	Pack Unit
67030204	Each



Flat Tee Joint No.9



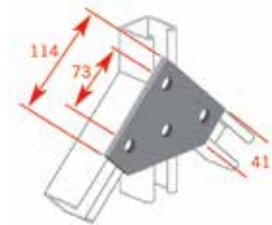
Flat Tee Joint No.9	
H.D.G.*	
Reference	Pack Unit
67030203	Each



3 Way Bracket No.10



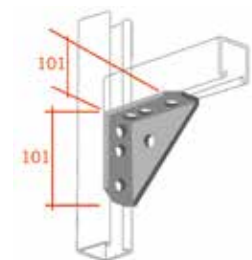
3 Way Bracket No.10	
H.D.G.*	
Reference	Pack Unit
67030212	Each



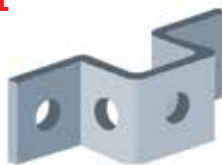
Reinforced Angle Bracket No.11



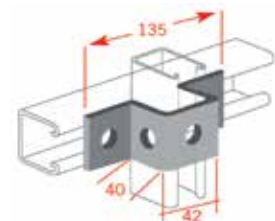
Reinforced Angle Bracket No.11	
H.D.G.*	
Reference	Pack Unit
67030213	Each



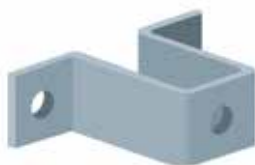
Clamp 41x41 No.12



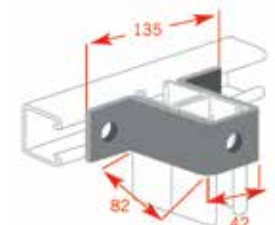
Clamp 41x41 No.12	
H.D.G.*	
Reference	Pack Unit
67030207	Each



Clamp 41x82 No.13



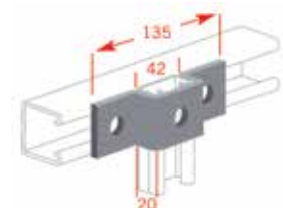
Clamp 41x82 No.13	
H.D.G.*	
Reference	Pack Unit
67030208	Each



Clamp 41x21 No.14




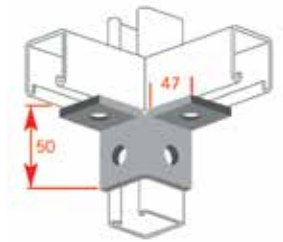
Clamp 41x21 No.14	
H.D.G.*	
Reference	Pack Unit
67030206	Each



Double 90° Bracket No.15




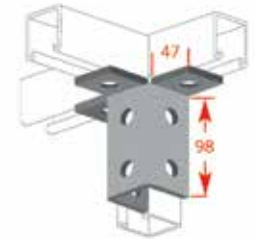
Double 90° Bracket No.15	
H.D.G.*	
Reference	Pack Unit
67030215	Each



90° Tee Bracket No.16




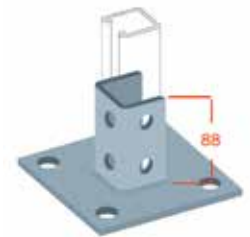
90° Tee Bracket No.16	
H.D.G.*	
Reference	Pack Unit
67030216	Each



Channel Floor Boss 41x41




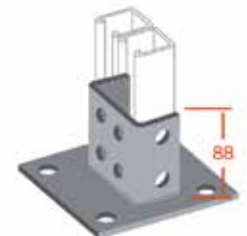
Channel Floor Boss 41x41	
H.D.G.*	
Reference	Pack Unit
67030064	Each



Channel Floor Boss 41x82




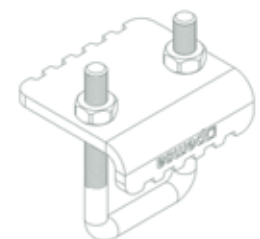
Channel Floor Boss 41x82	
H.D.G.*	
Reference	Pack Unit
67030164	Each



Channel Beam Clamp




Channel Beam Clamp	
H.D.G.*	
Reference	Pack Unit
67030101	Each



Adjustable Angle Bracket

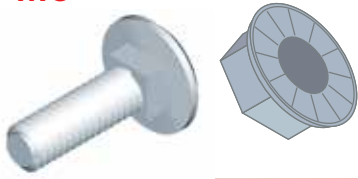


Adjustable Angle Bracket	
H.D.G.*	
Reference	Pack Unit
67030102	Each



(*) The hot dip galvanized finish is NOT AN ACCURATE AESTHETIC FINISH. It is a very effective corrosion protection. COLOUR DIFFERENCES CAN OCCUR (shades of grey), brightness and surface finish (roughness, smoothness), created during the process employed. This is normal and does NOT AFFECT THE QUALITY AND DURATION OF THE ANTI-CORROSION PROTECTION.

Pemsaband Joint Kit M6



DIM	Pemsaband Joint Kit M6		
	E.G.	H.D.G.*	Pack Unit
	Reference	Reference	
6x12	67010093	67030093	100

Megaband Joint Kit M8



DIM	Megaband Joint Kit M8		Pack Unit
	H.D.G.*		
	Reference		
M8x15	67030094		100

Allen Screw



DIM	Allen Screw	
	E.G.	Pack Unit
	Reference	
M10x20	67020065	50

Hexagonal Cone Point Screw



DIM	Hexagonal Cone Point Screw	
	Bycro	
	Reference	Pack Unit
M10x20	67020098	10

Shoulder Screw



DIM	Shoulder Screw				
	E.B.	E.G.	H.D.G.*	S.S. 316	Pack Unit
	Reference	Reference	Reference	Reference	
M6x12		67010099	67030099		100
M6x20	67020100	67010100	67030100	67060100	100
M6x30			67030109		100

Hexagonal Set Screw



DIM	Hexagonal Set Screw			
	E.G.	H.D.G.*	S.S. 316	Pack Unit
	Reference	Reference	Reference	
M6x15	67020054			100
M8x15	67010068	67030068		100
M8x20	67010065	67030065	67060065	100
M8x35	67010066	67030066	67060066	100
M8x65	67020092			100
M10x20	67020059	67030059	67060059	100
M10x35	67020077	67030077	67060077	100
M10x60	67020010	67030010	67060010	100

Hexagonal Nut



DIM	Hexagonal Nut				
	E.B.	E.G.	H.D.G.*	S.S. 316	Pack Unit
	Reference	Reference	Reference	Reference	
M8	67020062	67020095	67030062	67060062	100
M10	67020014	67020079	67030014	67060014	100

Serrated Hexagon Flange Nut



DIM	Serrated Hexagon Flange Nut				
	E.B.	E.G.	H.D.G.*	S.S. 316	Pack Unit
	Reference	Reference	Reference	Reference	
M6	64020059	64010059	64030059	64060059	50

Washer



DIM	Washer				
	E.B.	E.G.	H.D.G.*	S.S. 316	Pack Unit
	Reference	Reference	Reference	Reference	
M8	67020063	67020083	67030063	67060063	100
M10	67020013	67020061	67030013	67060064	100

Serrated Washer



DIM	Serrated Washer		
	Passivated	S.S. 316	Pack Unit
	Reference	Reference	
M8	67020084		100
M10	67020086	67060086	100

(*) The hot dip galvanized finish is NOT AN ACCURATE AESTHETIC FINISH. It is a very effective corrosion protection. COLOUR DIFFERENCES CAN OCCUR (shades of grey), brightness and surface finish (roughness, smoothness), created during the process employed. This is normal and does NOT AFFECT THE QUALITY AND DURATION OF THE ANTI-CORROSION PROTECTION.



Technical Information

Wall assembly

Horizontal

Admissible load					
	Light Duty Wall Support 20 Kg	Side Support 60 25 Kg	Mini Universal Bracket 50 Kg	Omega Bracket PLUS 59 / 161 Kg	Omega Bracket on channel 59 / 161 Kg

Fitting to ceiling

With threaded rods

Admissible load					
	20 Kg	25 Kg	89 Kg	89 Kg	69 Kg

← + EASY CABLE LAYING →

Fitting to ceiling

Omega System

Vertical Force					
	20 Kg	32 / 96 Kg	213 / 382 Kg	338 Kg	338 Kg
* Bending moment 1	-	-	20 Kg x m	42 Kg x m	42 Kg x m
** Bending moment 2	-	-	11 Kg x m	16 Kg x m	16 Kg x m

① Values obtained from test according to the UNE-EN 61537 with a safety coefficient of 170% without ever reaching the collapse point. Guaranteed only for our hanger with security plug and supports reinforced with the PEMSA structural reinforcement.

② Values obtained in accordance with International Standard UNE-EN 61537 (Section H) relating to the information for safe installation of trays with horizontal supports. For further information please contact PEMSA.
* Bending moment 1: Resulting bending moment on ceiling plane.
** Bending moment 2: Resulting bending moment from cantilever bracket.

		Sloping		Vertical	
Medium Duty Cantilever RPLUS	Heavy Duty Cantilever RPLUS	Adjustable Heavy Duty Cantilever RPLUS	Mini Universal Bracket	Stand off Bracket	
119 / 254 Kg	119 / 254 Kg	121 / 206 Kg	50 Kg	100 Kg	

← REINFORCED SUPPORTS GREATER LOAD-BEARING CAPACITY →

With threaded rods				
69 Kg	78 Kg	176 / 196 Kg	176 / 332 Kg	432 / 489 Kg

← + ASSEMBLY TIME SAVING →

Reinforced supports				
378 Kg	378 Kg	428 Kg	428 Kg	70 Kg
27 Kg x m	27 Kg x m	93 Kg x m	93 Kg x m	-
44 Kg x m	44 Kg x m	73 Kg x m	73 Kg x m	-

← REINFORCED SUPPORTS GREATER LOAD-BEARING CAPACITY →

● Mounting with **rejiband®** ● Mounting with **pemsaband®**

Metal tray system Fire Resistance



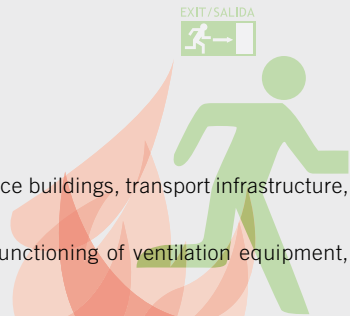
Objective

To contribute to the security of the facilities in case of fire, ensuring the maintenance of its integrity and functionality.

Application

Facilities in Public premises, office buildings, transport infrastructure, tunnels, etc.

Practically, contributes to the functioning of ventilation equipment, fire, and evacuation signage.



Establishes the following requirements to set up a fire-resistant installation approval as **E90**, to maintain the functioning and integrity of the electrical installation. These requirements are contained in the standard DIN 4102-12.

(See pages 64 and 65 for the description of the test).

Trays **rejiiband**[®] / **pemsaband**[®] widths from 100 to 400, depth 60 mm.

Distance of **RPLUS** supports / **omega SPLUS** is 1200 mm for ceiling or wall.

Using threaded rod connectors, **E90 SPLUS** (ref. 62035001) and **E90 RPLUS** (Ref. 62036001), as the support used for fixing the roof or wall system. (See charts, page 61).

Maximum loading of the cables 10 kg / m. (for each tray height).

You can install two lines of tray, depending on the needs of the installation.

The minimum separation distance between the two heights of trays should be 300 mm.

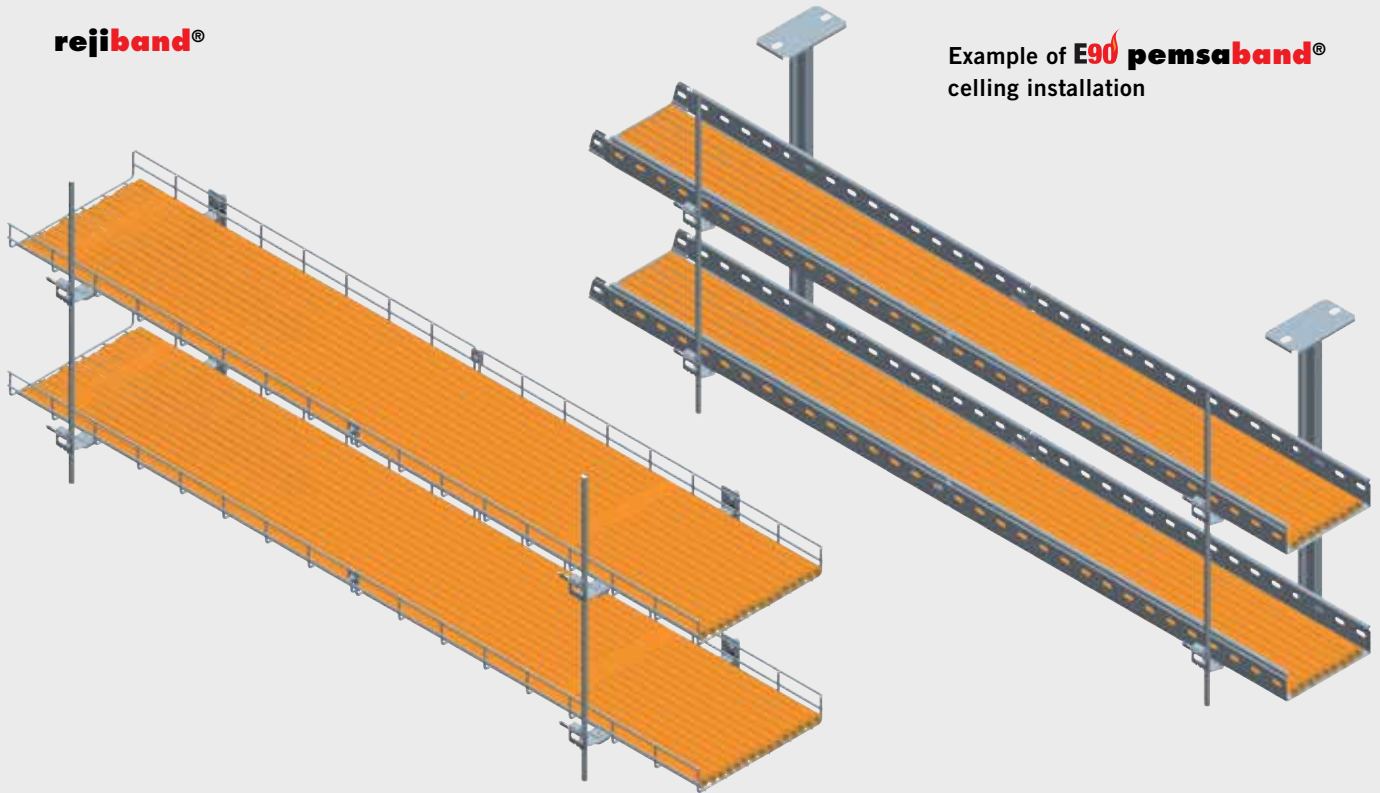
Other considerations

To ensure the correct functioning of the system requires the use of cables with an equivalent fire-resistance rating. Pemsas has conducted its tests on cables:

FE180/E90 NHxH Dätwyler PYROFIL KERAM
NEXANS type FB type RHEYHALON N2Hx-0 / JE-90

To anchor the assemblies to different surfaces a system with suitable properties and characteristics of fire resistance must be used.

For more technical information please request a copy of the E90 Fire Resistance dossier from the Pemsas Engineering Department.
info@pemsas.co.uk



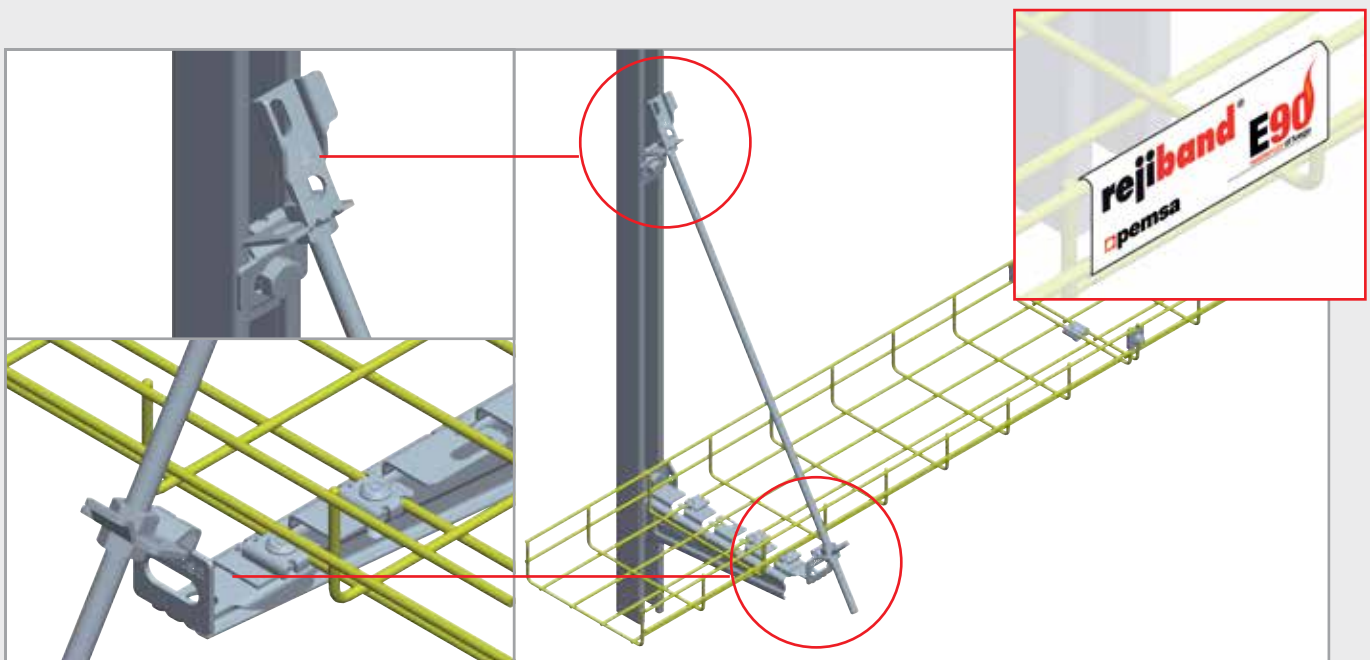
View the possible E90 Mounts for Wall
and Ceiling on pages 60 to 63

E90 RPLUS and E90 SPLUS Connectors for specific installations E90

Specially designed to provide an installation of trays complying with the requirements
of DIN 4101-12.

Their function is to connect the threaded rods to the Reinforced RPLUS and Omega
SPLUS brackets.

Identification plates are supplied with these connectors to indicate that the assembly
meets the E90 fire resistance criteria.



FIRE RESISTANT tray system ASSEMBLIES mounted on the WALL

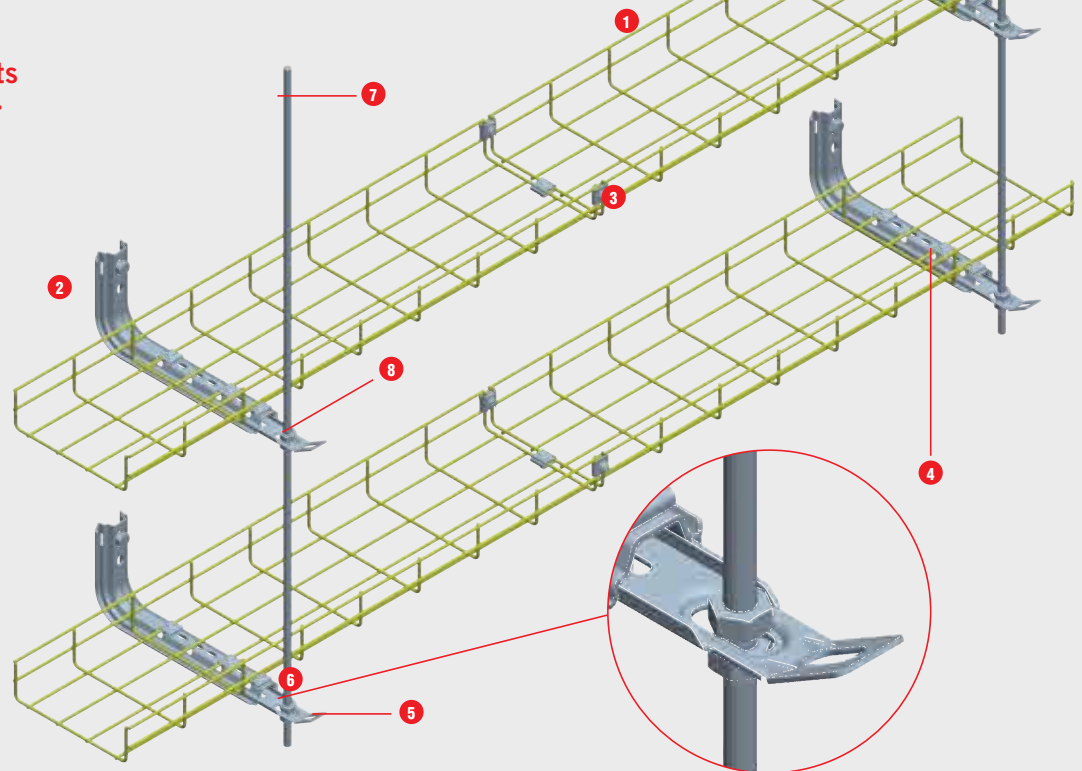
Wall mounting **rejiband® E90** with Omega brackets

rejiband®

- + Omega **SPLUS** Brackets
- + **E90 SPLUS** Connector

E90 Installation Requirements:

- 1.2m distance between supports.
- Valid for Omega SPLUS and RPLUS Supports.
- Use RPLUS or SPLUS connectors to connect the rod.
- Maximum weight of cables:
10 kg / m. for the height of tray.
- Depending on the needs of the installation two tray lines can be used.
- Minimum distance between trays:
300 mm.



Necessary Materials:

DIM. AxB	rejiband®			SPLUS Omega Support				Reinforced joint clamp				Part clamp (for connection of the tray to the support)							
	Bycro	E.G.	H.D.G.*	U. M. E90	U.2 M. E90	P.G.	H.D.G.*	U. M. E90	U.2 M. E90	Bycro	E.G.	H.D.G.*	U. M. E90	U.2 M. E90	Bycro	E.G.	H.D.G.*	U. M. E90	U.2 M. E90
	Reference	Reference	Reference	(m)	(m)	Reference	Reference			Reference	Reference	Reference			Reference	Reference	Reference		
100x60	60222100	60212100	60232100	1.2	2.4	62021104	62031104	2	4	64020061	64010061	64030061	2	4	64020060	64010060	64030060	2	4
150x60	60222150	60212150	60232150	1.2	2.4	62021154	62031154	2	4	64020061	64010061	64030061	2	4	64020060	64010060	64030060	2	4
200x60	60222200	60212200	60232200	1.2	2.4	62021204	62031204	2	4	64020061	64010061	64030061	2	4	64020060	64010060	64030060	2	4
300x60	60222300	60212300	60232300	1.2	2.4	62021304	62031304	2	4	64020061	64010061	64030061	3	6	64020060	64010060	64030060	2	4
400x60	60222400	60212400	60232400	1.2	2.4	62021404	62031404	2	4	64020061	64010061	64030061	3	6	64020060	64010060	64030060	2	4

- More **rejiband®** information on pages 6 and 7.
- More SPLUS Omega Support information on page 48.
- More information of the Reinforced Joint Clamp on page 8.
- More information of the Part Clamp on page 9.

U. M. E90: E90 Mounting Unit. U. 2 M. E90: E90 Mounting Unit with 2 heights.

E90 SPLUS Connector			M6x30 Fixing			DIM. MxL	Threaded Rod			Hexagonal Nuts				
H.D.G.*	U. M. E90	U.2 M. E90	H.D.G.*	U. M. E90	U.2 M. E90		Bycro	U. M. E90	U.2 M. E90	Bycro	E.G.	H.D.G.*	U. M. E90	U.2 M. E90
Reference			Reference				Reference			Reference	Reference	Reference		
62031090	2	4	64030160	2	4	M8x500	67020044	2		67020062	67020095	67030062	4	
						M8x1000	67020045	2	4	67020014	67020079	67030014	4	8
						M10x1000	67020145	2	4	67020014	67020079	67030014	4	8

- More information about the E90 connector on page 50.
 - More information of the M6x30 fixing on page 9.
 - More information about Threaded Rod on page 52.
 - More information on Hexagonal Nuts on page 61.
- Valid for any size of SPLUS Omega support.
- Adequate fixing is required for joining the connector to the E90 SPLUS Support.
- The choice of M8 or M10 threaded will depend on the requirements of the installation.

U. M. E90: E90 Mounting Unit. U. 2 M. E90: E90 Mounting Unit with 2 heights.

NOTES:

- Products, for this E90 solution, are also available in S.S. 304 and S.S. 316 finish. For more detailed information please consult with the Pensa Engineering Department.
- This solution can also be used with Reinforced RPLUS Supports (See page 49).

pensaband® OPTION:

- This installation is available for **pensaband® SX** Tray. For more information please consult the Pensa Engineering Department.

Bycro / E.B. Electrolytic Bichromate BS-EN ISO 2081
E.G. Electrogalvanised BS-EN ISO 2081, available on request

P.G. Pre-galvanised BS-EN 10346
H.D.G. Hot-dip galvanised BS-EN-ISO 1461

S.S. 304 Passivated stainless steel AISI 304
S.S. 316 Passivated stainless steel AISI 316

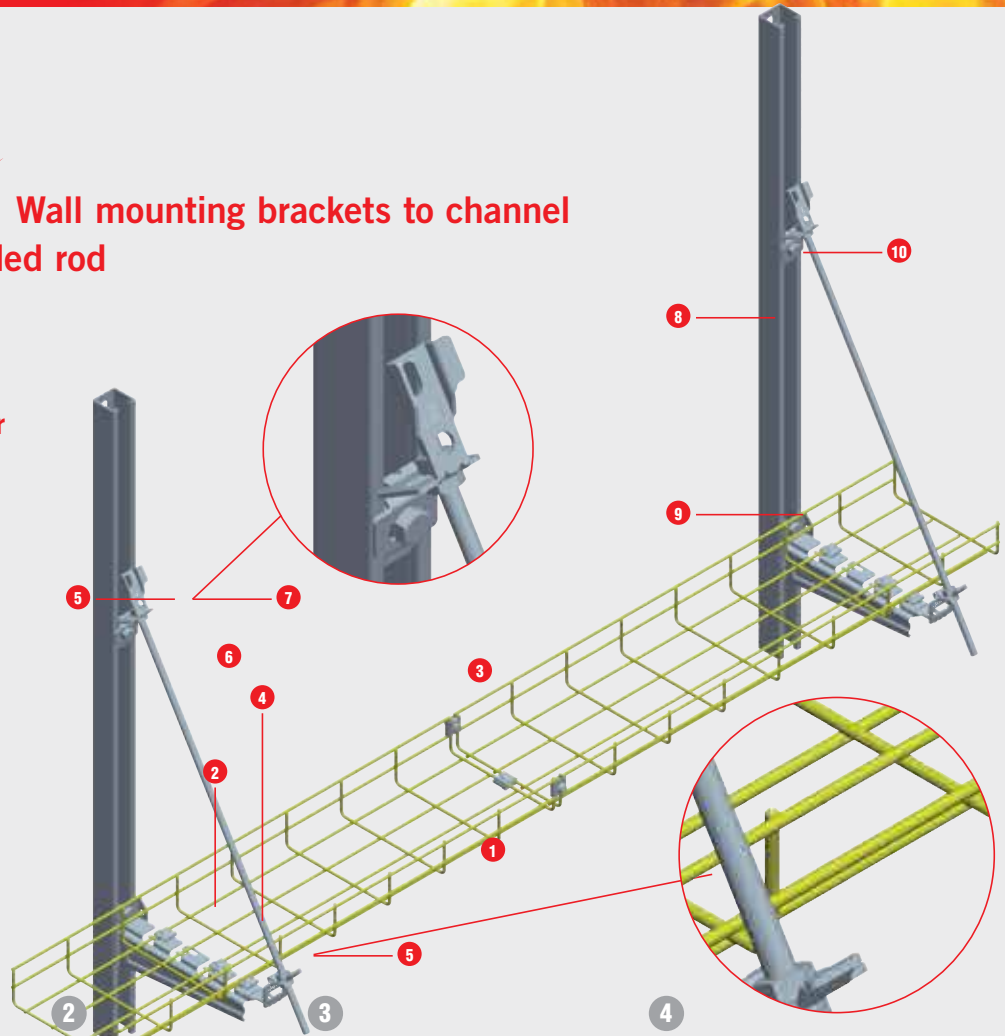
rejiband® E90 Wall mounting brackets to channel with an angled threaded rod

rejiband®

- + **RPLUS** Supports
- + **RPLUS E90 Connector**
- + **Threaded Rod**

E90 Installation Requirements:

- 1.2m distance between supports.
- Valid for Omega SPLUS and RPLUS Supports.
- Use E90 SPLUS connectors for connecting the rod to the E90 SPLUS or RPLUS Support.
- This method is appropriate when the distance to secure the rod to the roof is very large making the preferred option to brace the rod to the wall.
- Maximum weight of cables: 10 kg / m



Necessary Materials:

DIM. AxB	rejiband®			RPLUS Support					Reinforced joint clamp					Part clamp (for connection of the tray to the support)					
	Bycro	E.G.	H.D.G.*	U. M. E90	U.2 M. E90	P.G.	H.D.G.*	U. M. E90	U.2 M. E90	Bycro	E.G.	H.D.G.*	U. M. E90	U.2 M. E90	Bycro	E.G.	H.D.G.*	U. M. E90	U.2 M. E90
	Reference	Reference	Reference	(m)	(m)	Reference	Reference			Reference	Reference	Reference			Reference	Reference	Reference		
100x60	60222100	60212100	60232100	1.2	NO	62025103	62035103	2	NO	64020061	64010061	64030061	2	NO	64020060	64010060	64030060	2	NO
150x60	60222150	60212150	60232150	1.2	NO	62025153	62035153	2	NO	64020061	64010061	64030061	2	NO	64020060	64010060	64030060	2	NO
200x60	60222200	60212200	60232200	1.2	NO	62025203	62035203	2	NO	64020061	64010061	64030061	2	NO	64020060	64010060	64030060	2	NO
300x60	60222300	60212300	60232300	1.2	NO	62025303	62035303	2	NO	64020061	64010061	64030061	3	NO	64020060	64010060	64030060	2	NO
400x60	60222400	60212400	60232400	1.2		62025403	62035403	2	NO	64020061	64010061	64030061	3	NO	64020060	64010060	64030060	2	NO

• More **rejiband®** information on pages 6 and 7.

• More RPLUS Omega Support information on page 49.

• More information of the Reinforced Joint Clamp on page 8.

• More information of the Part Clamp on page 9.

E90 RPLUS Connector			DIM. MxL	Threaded Rod			Hexagonal Nuts				Channel + Hexagonal Nut + Channel Nut						
H.D.G.*	U. M. E90	U.2 M. E90		Bycro	U. M. E90	U.2 M. E90	Bycro	E.G.	H.D.G.*	U. M. E90	U.2 M. E90	Piece		E.G.	H.D.G.*	U. M. E90	U.2 M. E90
Reference				Reference			Reference	Reference	Reference				Reference	Reference			
67035001	4	NO	M8x500	67020044	2	NO	67020062	67020095	67030062	8	NO	41x41 Channel		67030053	67030057	2	NO
			M8x1000	67020045	2	NO	67020014	67020079	67030014	8	NO	M10 Hexagonal Nut		67020077	67030077	6	NO
			M10x1000	67020145	2	NO	67020014	67020079	67030014	8	NO	M10 Channel Nut		67020158	67030158	6	NO

• More information about the E90 connector on page 50.

• More information of Threaded Rod on page 52.

• More information on Hexagonal Nuts on page 61.

• More information: REF 41x41 Channel on page 55. Hex Screw on page 60. Channel Spring Nut 41 on page. 56.

Valid for any size of RPLUS Omega support. The choice of using M8 or M10 threaded rod and nuts depends on the loadings and support distances within the installation.

NOTES:

- Products, for this E90 solution, are also available in S.S. 304 and S.S. 316 finish. For more detailed information please consult with the Pensa Engineering Department.
- This solution can also be used with Reinforced Omega SPLUS Supports (See page 48).

pemsaband® OPTION:

- This installation is available for **pemsaband® SX** Tray. For more information please consult the Pensa Engineering Department.

U. M. E90: E90 Mounting Unit. U. 2 M. E90: E90 Mounting Unit with 2 heights.

(*) The hot dip galvanized finish is NOT AN ACCURATE AESTHETIC FINISH. It is a very effective corrosion protection. COLOUR DIFFERENCES CAN OCCUR (shades of grey), brightness and surface finish (roughness, smoothness), created during the process employed. This is normal and does NOT AFFECT THE QUALITY AND DURATION OF THE ANTI-CORROSION PROTECTION.

FIRE RESISTANT tray system mounted on the CEILING

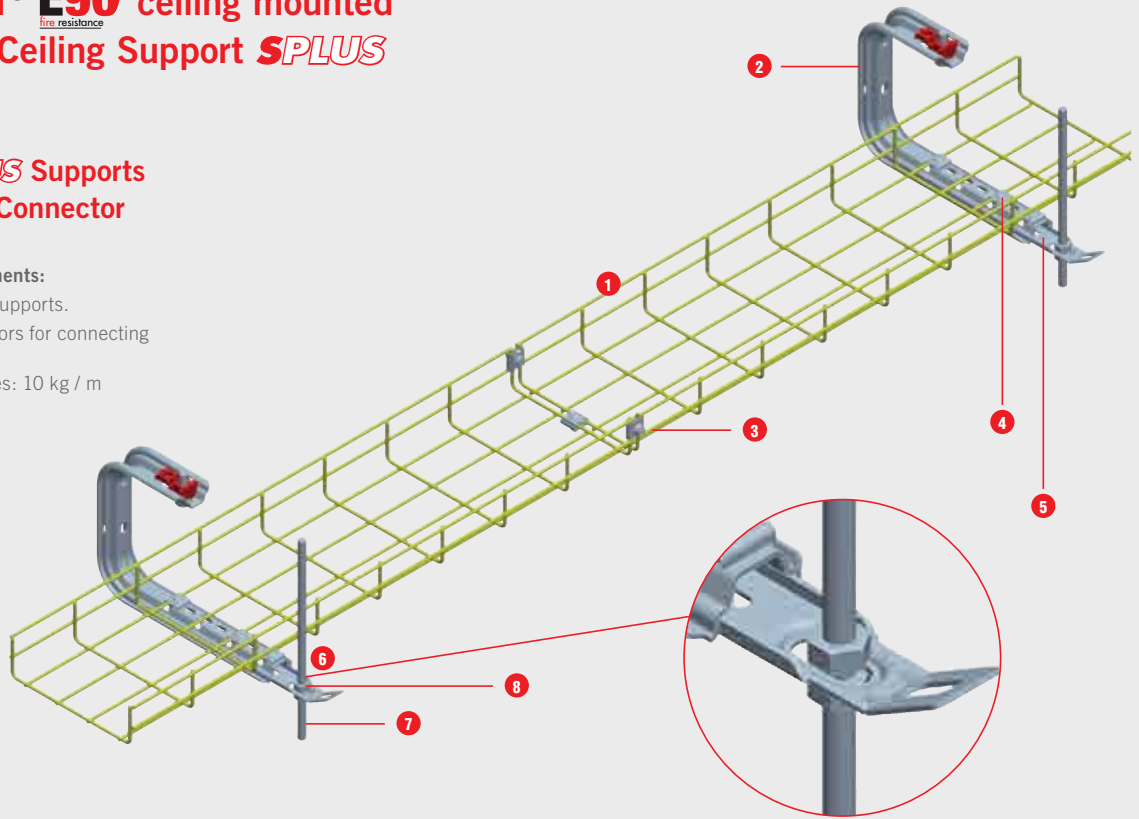
rejiband® E90 ceiling mounted using Omega Ceiling Support SPLUS

rejiband®

- + Omega **SPLUS** Supports
- + E90 **SPLUS** Connector

E90 Installation Requirements:

- 1.2m distance between supports.
- Use SPLUS E90 Connectors for connecting the rod.
- Maximum weight of cables: 10 kg / m



Materials required:

DIM. Ax B	1					2				3					4				
	rejiband®					Omega Ceiling Bracket SPLUS				Reinforced joint clamp					Part clamp (for connection of the tray to the support)				
	Bycro	E.G.	H.D.G.*	U. M. E90	U.2 M. E90	P.G.	H.D.G.*	U. M. E90	U.2 M. E90	Bycro	E.G.	H.D.G.*	U. M. E90	U.2 M. E90	Bycro	E.G.	H.D.G.*	U. M. E90	U.2 M. E90
Reference	Reference	Reference	(m)	(m)	Reference	Reference	Reference	Reference	Reference	Reference	Reference	Reference	Reference	Reference	Reference	Reference	Reference	Reference	Reference
100x60	60222100	60212100	60232100	1.2	-	62022104	62032104	2	-	64020061	64010061	64030061	2	-	64020060	64010060	64030060	4	-
150x60	60222150	60212150	60232150	1.2	-	62022154	62032154	2	-	64020061	64010061	64030061	2	-	64020060	64010060	64030060	4	-
200x60	60222200	60212200	60232200	1.2	-	62022204	62032204	2	-	64020061	64010061	64030061	2	-	64020060	64010060	64030060	4	-
300x60	60222300	60212300	60232300	1.2	-	62022304	62032304	2	-	64020061	64010061	64030061	3	-	64020060	64010060	64030060	4	-
400x60	60222400	60212400	60232400	1.2	-	62022404	62032404	2	-	64020061	64010061	64030061	3	-	64020060	64010060	64030060	4	-

• More **rejiband®** information on pages 6 and 7.

• More SPLUS Omega Support information on page 48.

• More information of the Reinforced Joint Clamp on page 8.

• More information of the Part Clamp on page 9.

U. M. E90: E90 Mounting Unit. U. 2 M. E90: E90 Mounting Unit with 2 heights.

5			6			DIM. MxL	7			8				
Connector E90 SPLUS			M6x30 Fixing				Threaded Rod			Hexagonal Nuts				
H.D.G.*	U. M. E90	U.2 M. E90	H.D.G.*	U. M. E90	U.2 M. E90		Bycro	U. M. E90	U.2 M. E90	Bycro	E.G.	H.D.G.*	U. M. E90	U.2 M. E90
Reference	Reference	Reference	Reference	Reference	Reference	Reference	Reference	Reference	Reference	Reference	Reference	Reference	Reference	
62031090	2	-	64030160	2	-	M8x500	67020044	2	-	67020062	67020095	67030062	4	-

• More information about the E90 connector on page 50.

• More information of the M6x30 fixing on page 9.
Adequate fixing is required for joining the connector to the E90 SPLUS Support.

• More information about Threaded Rod on page 52.
The choice of M8 or M10 threaded will depend on the requirements of the installation.

• More information on Hexagonal Nuts on page 61.

U. M. E90: E90 Mounting Unit. U. 2 M. E90: E90 Mounting Unit with 2 heights.

NOTES:

- Products, for this E90 solution, are also available in S.S. 304 and S.S. 316 finish. For more detailed information please consult with the Pemsaband Engineering Department.

pemsaband® OPTION:

- This installation is available for **pemsaband® SX** Tray. For more information please consult the Pemsaband Engineering Department.

Bycro / E.B. Electrolytic Bichromate BS-EN ISO 2081
E.G. Electrogalvanised BS-EN ISO 2081, available on request

P.G. Pre-galvanised BS-EN 10346
H.D.G. Hot-dip galvanised BS-EN-ISO 1461

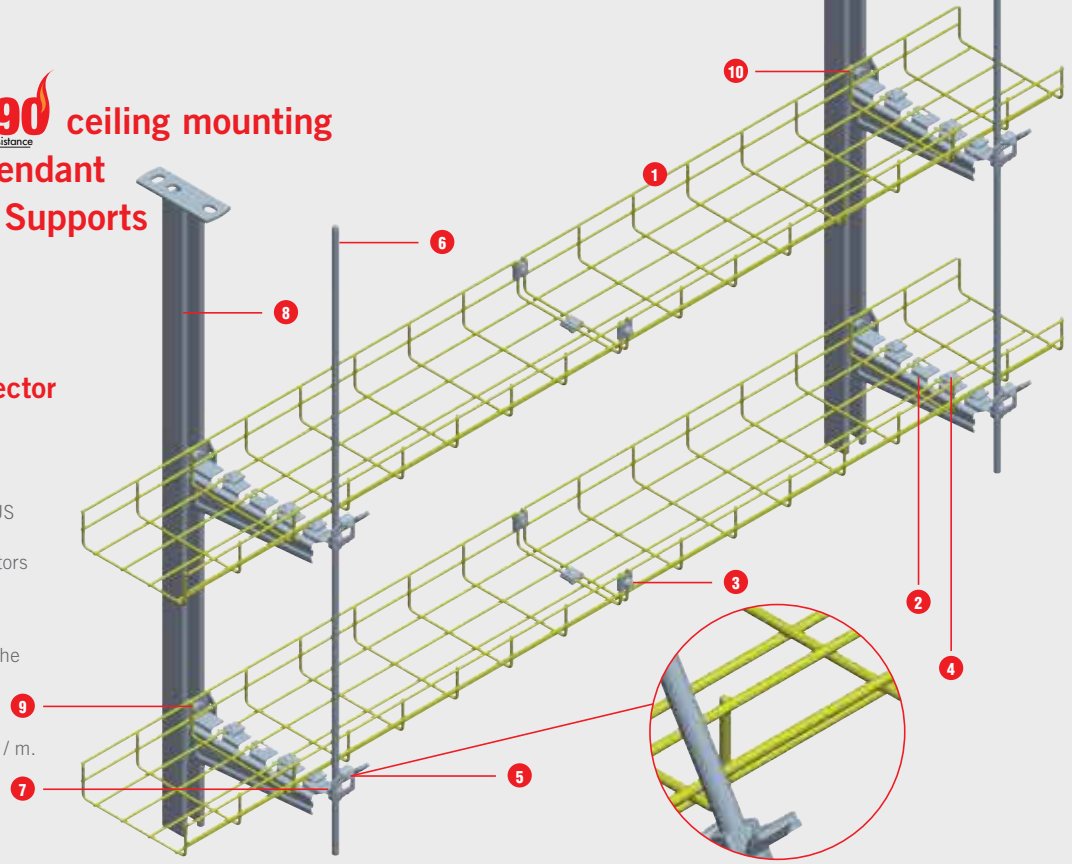
S.S. 304 Passivated stainless steel AISI 304
S.S. 316 Passivated stainless steel AISI 316

rejiband® E90 fire resistance ceiling mounting with Heavy duty pendant drop and RPLUS Supports

- rejiband®**
 + **RPLUS Supports**
 + **E90 RPLUS Connector**

E90 Installation Requirements:

- 1.2m distance between supports.
- Valid for Omega SPLUS and RPLUS Supports.
- Use E90 SPLUS Use E90 connectors for connecting the rod to the E90 SPLUS or RPLUS Support.
- This method is appropriate when the distance to secure the rod to the roof is very large making the preferred option to brace the rod to the ceiling
- Maximum weight of cables: 10 kg / m.



Materials required:

DIM. AxB	rejiband®				Reinforced Support RPLUS				Reinforced joint clamp				Part clamp (for connection of the tray to the support)						
	Bycro	E.G.	H.D.G.*	U. M. E90	U.2 M. E90	P.G.	H.D.G.*	U. M. E90	U.2 M. E90	Bycro	E.G.	H.D.G.*	U. M. E90	U.2 M. E90	Bycro	E.G.	H.D.G.*	U. M. E90	U.2 M. E90
	Reference	Reference	Reference	(m)	(m)	Reference	Reference			Reference	Reference	Reference			Reference	Reference	Reference		
100x60	60222100	60212100	60232100	1.2	2.4	62025103	62035103	2	4	64020061	64010061	64030061	2	4	64020060	64010060	64030060	6	12
150x60	60222150	60212150	60232150	1.2	2.4	62025153	62035153	2	4	64020061	64010061	64030061	2	4	64020060	64010060	64030060	6	12
200x60	60222200	60212200	60232200	1.2	2.4	62025203	62035203	2	4	64020061	64010061	64030061	2	4	64020060	64010060	64030060	6	12
300x60	60222300	60212300	60232300	1.2	2.4	62025303	62035303	2	4	64020061	64010061	64030061	3	6	64020060	64010060	64030060	6	12
400x60	60222400	60212400	60232400	1.2	2.4	62025403	62035403	2	4	64020061	64010061	64030061	3	6	64020060	64010060	64030060	6	12

• More **rejiband®** information on pages 6 and 7.

• More RPLUS Omega Support information on page 49.

• More information of the Reinforced Joint Clamp on page 8.

• More information of the Part Clamp on page 9.

Connector E90 RPLUS				DIM. MxL	Threaded Rod			Hexagonal Nuts				Pendant + Hexagonal Nut + Channel Nut					
H.D.G.*	U. M. E90	U.2 M. E90	Bycro		U. M. E90	U.2 M. E90	Bycro	E.G.	H.D.G.*	U. M. E90	U.2 M. E90	Piece		P.G.	H.D.G.*	U. M. E90	U.2 M. E90
Reference			Reference				Reference	Reference	Reference				Reference	Reference			
62035001	2	4	M8x500	67020044	2		67020062	67020095	67030062	4	8	Heavy duty Pendant 41x41 500 mm		67030660	2		
			M8x1000	67020045	2	2	67020014	67020079	67030014	4	8	Heavy duty Pendant 41x41 1000 mm		67030661	2	2	
			M10x1000	67020145	2	2	67020014	67020079	67030014	4	8	M10 Hexagonal nut	67020077	67030077	4	8	
												M10 Channel spring nut	67020158	67030158	4	8	

• More information about the E90 connector on page 50.

• More information about Threaded Rod on page 52.

• More information on Hexagonal Nuts on page 61.

• More information: REF 41x41 Channel on page 55. Hex Screw on page 60. Channel Spring Nut 41 on page 56.

Valid for any size of RPLUS Omega support.

The choice of using M8 or M10 threaded rod and nuts depends on the loadings and support distances within the installation.

NOTES:

- Products, for this E90 solution, are also available in S.S. 304 and S.S. 316 finish. For more detailed information please consult with the Pensa Engineering Department.
- This solution can also be used with Reinforced Omega SPLUS Supports (See page 48).

pemsaband® OPTION:

- This installation is available for **pemsaband® SX** Tray. For more information please consult the Pensa Engineering Department.

U. M. E90: E90 Mounting Unit. **U. 2 M. E90:** E90 Mounting Unit with 2 heights.

(*) The hot dip galvanized finish is NOT AN ACCURATE AESTHETIC FINISH. It is a very effective corrosion protection. COLOUR DIFFERENCES CAN OCCUR (shades of grey), brightness and surface finish (roughness, smoothness), created during the process employed. This is normal and does NOT AFFECT THE QUALITY AND DURATION OF THE ANTI-CORROSION PROTECTION.

Fire Resistance

Safety is a growing concern within electrical installations.

In the event of a fire the behaviour of electrical equipment, when exposed to high temperatures, determines whether the installation achieves a certain safety level. **rejiband**® wire mesh cable tray complies with these requirements with a number of features and properties as described in the **E90** Certification.



rejiband® wire mesh cable tray is manufactured in accordance with the requirements and tests of the product standard **IEC 61537** “Cable Tray and Cable Ladder Systems.”

So far this standard has not yet covered the fire risks and fire resistance.



DIN 4102-12 “Cable Tray and Cable Ladder Systems”



When studying the properties of **rejiband**® wire mesh cable tray against fire, **pemsa** has used the German Standard DIN 4102-12 which is the main reference in other European countries.

This standard tests the complete installations, in order to evaluate the structural integrity of the assembly and how the components react when exposed to fire.

A 3m length of wire mesh tray, accessories and power cables are the subject of the test. According to the final results, the certification may be issued at three different levels:

Table Standards.

STANDARDS	E30	E60	E90
Time	30 min.	60 min.	90 min.
Temperature	840 °C	950 °C	1000 °C

The purpose of this test is to validate the correct operation of the electrical system and to ensure that critical services (fire suppression system, emergency lighting, ventilation and other basic installations) remain functional for long enough to organise evacuation in the event of fire.



rejiband® E90

fire resistance

Test Set-up

The test set-up consisted of a 3 m length of wire mesh tray, including joints and accessories, supported on brackets at intervals of 1.2 m. The power cables, up to 1 kV, should be fire resistant at the same or higher level than halogen free, high safety cables. The wire mesh tray was then loaded with chains to simulate the cable weight and other standard conditions of the test.

During the test, a standardised temperature vs. time curve is imposed in the test oven, obtaining the 3 levels of certification and their corresponding times and temperatures as shown on table 1.

The results prove that the cables maintain electrical continuity during the test, and therefore the operational integrity of the installation is maintained.

As the test was progressing, both cables and trays were damaged by the high temperatures as defined in DIN 4102-12. Trays are deformed but maintain their support function. The cable sheathing starts to burn causing risk to the correct functioning of the system.

As shown in figure 3, **rejiband®** wire mesh cable tray and its accessories neither collapsed nor were they detached from the supports, ensuring enough structural resistance within the system.

The wire mesh cable tray exceeded the fire resistance test, qualifying for the highest level of resistance proposed by this standard, the **E90**. The tray with cables were tested for **90 minutes** at temperatures of **1,000°C** (in accordance with the conditions of DIN 4102-12), maintaining circuit integrity against fire.



Figure 1. General View Of The Assembly

Conclusions

The combined use of **rejiband®** wire mesh tray with high safety halogen-free electrical cables improves substantially the safety of the installation. Since both components provide a self extinguishing system, which does not produce toxic, corrosive or opaque fumes (more typical for polymeric & halogen materials), this allows a period of time long enough for evacuation and emergency works.

Investing in safety equipment and systems with high fire resistance must be accompanied by a safe installation that ensures their correct functioning in the most critical situations.




Figure 2. Assembly Before Test



Figure 3. Assembly After Test

Pemsa Metal Tray Systems: Behaviour in the event of fire: A1 (the Safest: Non Combustible)

New European Classification System in compliance with the Directive 89/106/EC,
according to the Fire Behaviour of the Materials:

		CLASSIFICATION (*)		ADDITIONAL CLASSIFICATION
1	The safest	A1 ✓	Non combustible ✓	-
2	 Less Safe (in decreasing order)	A2	Slightly combustible	Smoke Production (S) Smoke Density
3		B	"	
4		C	Combustible	
5		D	"	Flaming droplets/particles (D)
6		E	"	
7		F	No performance determined	-

(*) In accordance with EN 13501-1:2002

Behaviour in the event of fire

Materials	Directive 89/106/EC	Smoke Emissions	Smoke Opacity	Smoke Toxicity	Contained Halogens
Steel Trays ✓	A1, NON COMBUSTIBLE ✓	No Smoke ✓	No Smoke ✓	No Smoke ✓	NO ✓
Halogen-free cables	COMBUSTIBLE / FIRE RESISTANT	Reduced Smoke Emission	Reduced Opacity of Smoke	Smoke with Low Toxic Particles Level	NO
P.V.C.	COMBUSTIBLE / FLAME PROPAGATOR	Dangerous Smoke Emission	High Opacity of Smoke	Smoke with Toxic Particles Level	YES

The **rejiband**® and **pemsaband**® Metal Tray (A1) systems guarantee safety in that they do NOT emit toxic gases or halogens, they do NOT emit opaque smoke (luminous transmittance), they do NOT emit corrosive gases and they do NOT propagate fire.

Maximum service temperatures of cables and trays (*)

Conventional PVC Cables	70°C
Halogen-free Cables	90°C ✓
PVC Trays	60°C
rejiband ® and pemsaband ® Metal Trays	150°C ✓

(*) For cables and trays, data according to manufacturer catalogues.

rejiband® and **pemsaband**® Metal Trays do not limit the maximum service temperature of halogen-free cables.

rejiband® and **pemsaband**® metal trays comply with the standard UNE-EN-61 537
"Cable Tray and Cable Ladder Systems for cable management" (REBT ITC-BT-28 "public places")

Surface treatment to prevent corrosion

All the steel products made by Pemsa are protected by one of the following coatings:

P.G.	SENDZIMIR GALVANISING
	UNE-EN 10346

(NOT TO BE CONFUSED WITH HOT-DIP GALVANIZING).

Used solely for protecting sheet metal of below 3 mm in thickness.

Produced by dipping the rolls of steel in a zinc bath at 450 °C.

This technique is widely used in the manufacture of barcut parts and stamped parts. The cuts arising in the machining are partially regenerated by the galvanic pair formed by the steel and the zinc.

The thickness of the protecting coating is from 8 to 15 microns.

Recommended for indoor installations in a dry atmosphere with no aggressive contaminants.

E.G.	ELECTROGALVANIZING
	UNE-EN ISO 2081 (White colour)

This involves protecting parts made of iron and steel electrolytically using zinc.

The thickness of the coating applied varies from 8 to 12 microns - see table II. The Standard recommends applying a chrome-conversion layer (UNE 112-050).

Recommended for indoor installations in a dry atmosphere with no aggressive contaminants.

BYCRO/E.B.	ELECTROGALVANIZED BICHROMATE
	UNE-EN ISO 2081 (Yellow colour)

This involves the above process plus subsequent treatment that improves the anti-corrosion performance - see table II.

The thickness of the coat applied is 8-12 microns.

The process as used by Pemsa involves no **CYANIDE** and no **CHROME VI**. Recommended for use in dry, contaminant-free atmospheres. Better performance than **P.G.** and **E.G.**

H.D.G.	HOT-DIP GALVANISING
	UNE-EN-ISO 1461

Used for all kinds of products. It involves immersing the individual pieces to be protected into a bath full of zinc at 450 °C after the parts have been machined. The average thickness of the protective coating is 70 microns.

Recommended for outdoor, marine, rural, industrial and aggressive indoor installations.

STAINLESS STEELS

These are carbon steels alloyed with chromium, nickel, magnesium and molybdenum. The best-known ones are AISI 304 (18/8) and AISI 316.

Contrary to widespread belief, these steels **ALSO SUFFER CORROSION**, though their performance when properly handled is generally much better than any type of protective coating.

Their specific behaviour is the result of the chromium and nickel spontaneously generating a film of chromium oxide in the presence of an oxidising environment, this film then preventing subsequent oxidisation. The film is very delicate, and can be broken by blows, machining, welding etc.

Stainless steels are easily **CONTAMINATED**, thus losing their properties, when they are machined with tools that use other types of steel. In such cases, the protective film must be generated by a chemical-attack process.

To solve this problem, after the manufacturing work (punching, welding), PEMSA subjects all its **rejiband®** S.S. rack and accessories to a special process for regenerating the protective layer known as **THERMICRON**.

A 304	STAINLESS STEEL AISI-304
--------------	---------------------------------

Suitable for:

- Fresh water • Industrial atmosphere • Marine atmosphere
- Normal chemical industry • Food industry (except high temperatures).

A 316	STAINLESS STEEL AISI-316
--------------	---------------------------------

Specially recommended for:

- Marine and coastal areas • Aggressive chemical environments
- High temperature food industry applications.

Laboratory tests carried out in a salt-spray chamber in accordance with ASTM-B117 produced the following results:

Table I

Corrosion resistance in hours		
BYCRO	Electrolytic zinc coating, bichromate (yellow)	450
E.G.	Electrolytic zinc coating (white)	190
H.D.G.	Hot-dip galvanizing	660
S.S. 304	Stainless steel AISI 304	No trace > 850
S.S. 316	Stainless steel AISI 316	No trace > 850

Corrosion

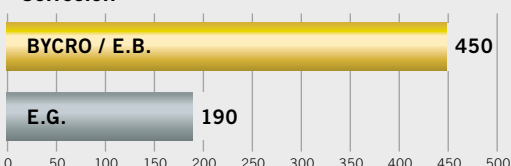


Table II

Choosing surface treatments in view of the environment

Type	E.G.	BYCRO	P.G.	H.D.G.	S.S. 304	S.S. 316
Indoor	●	●	●	●	●	●
Indoor, near sea	●	●	●	●	●	●
Outdoor, dry climate	●	●	●	●	●	●
Outdoor, near sea	●	●	●	●	●	●
Coast	●	●	●	●	●	●
Sulphurous	●	●	●	●	●	●
Mineral acids	●	●	●	●	●	●
Ammonium	●	●	●	●	●	●
Caustic soda	●	●	●	●	●	●
Organic acids	●	●	●	●	●	●
Hydrocarbons	●	●	●	●	●	●
Chlorine	●	●	●	●	●	●
Food industry	●	●	●	●	●	●

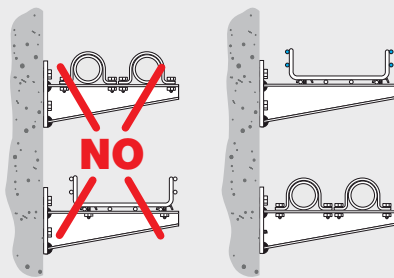
Good ● Possible ● Not recommended ● Recommended by Pemsa ●

Recommendations for the correct installation of cable trays

(BS-EN 61537, BS 20.460, REBT 2002, ITC-BT 20 and 21) Standards

1. LOCATION

Must NOT be installed under water, steam, gas, tubing, etc.



2. PROTECTION

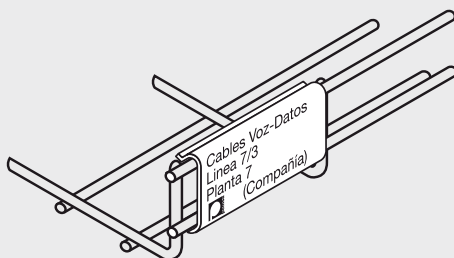
The trays are for conveying cables, NOT FOR PROTECTING THEM. In the majority of installations, the characteristics of current cables makes it unnecessary to protect them. If necessary, use the appropriate covers.

3. VENTILATION

Cables heat up while being used due to the passage of current. At the same ambient temperature and power, this heating can increase according to the type of tray being used (open or closed). With less ventilation, a greater cable cross section is required and, as a result, cost increases:

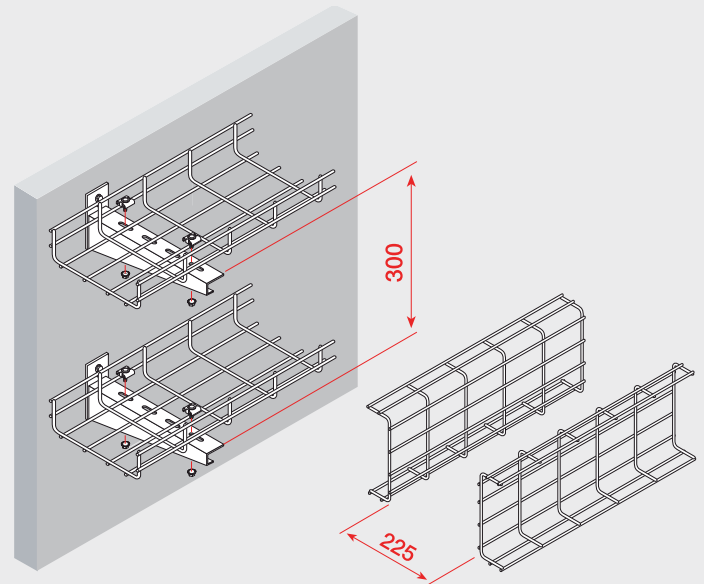
- Maximum ventilation: **rejiband®** or ladder-type trays.
- Medium ventilation: Perforated metal sheet trays.
- Medium ventilation: Solid metal sheet.

The use of solid bottom trays is, in most cases, due to aesthetic criteria.



3.1. Distance between trays

For correct cable ventilation, at least the minimum distance indicated in the drawing must be maintained.

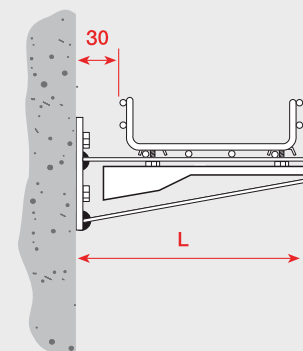


3.2. Distance to walls

When trays are fastened to a wall on supports, a separation of at least 20 mm must be maintained between the tray and the wall in order to allow for cable ventilation.

At pemsa, all wall supports have a total length of 50 mm more than the width of the tray to be installed, thereby, **complying with legislation in force**.

Example: A 300 support has a length of 350 mm..



4. MARKINGS

Trays should facilitate labelling through markings.

5. SUPPORTS

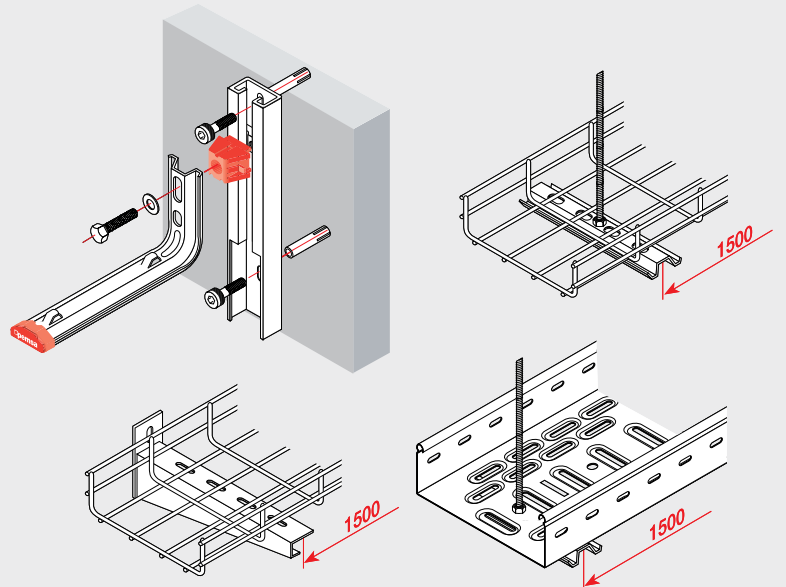
These are fundamental in a tray installation. If they are not suitable, the whole installation will be flawed. The following factors should be borne in mind when choosing them:

- The load-bearing capacity of the support.
- Its corrosion resistance.
- Ease of installation.

The recommended distance between supports or bearing points is normally 1500 mm. When this distance is changed, the performance of the tray changes.

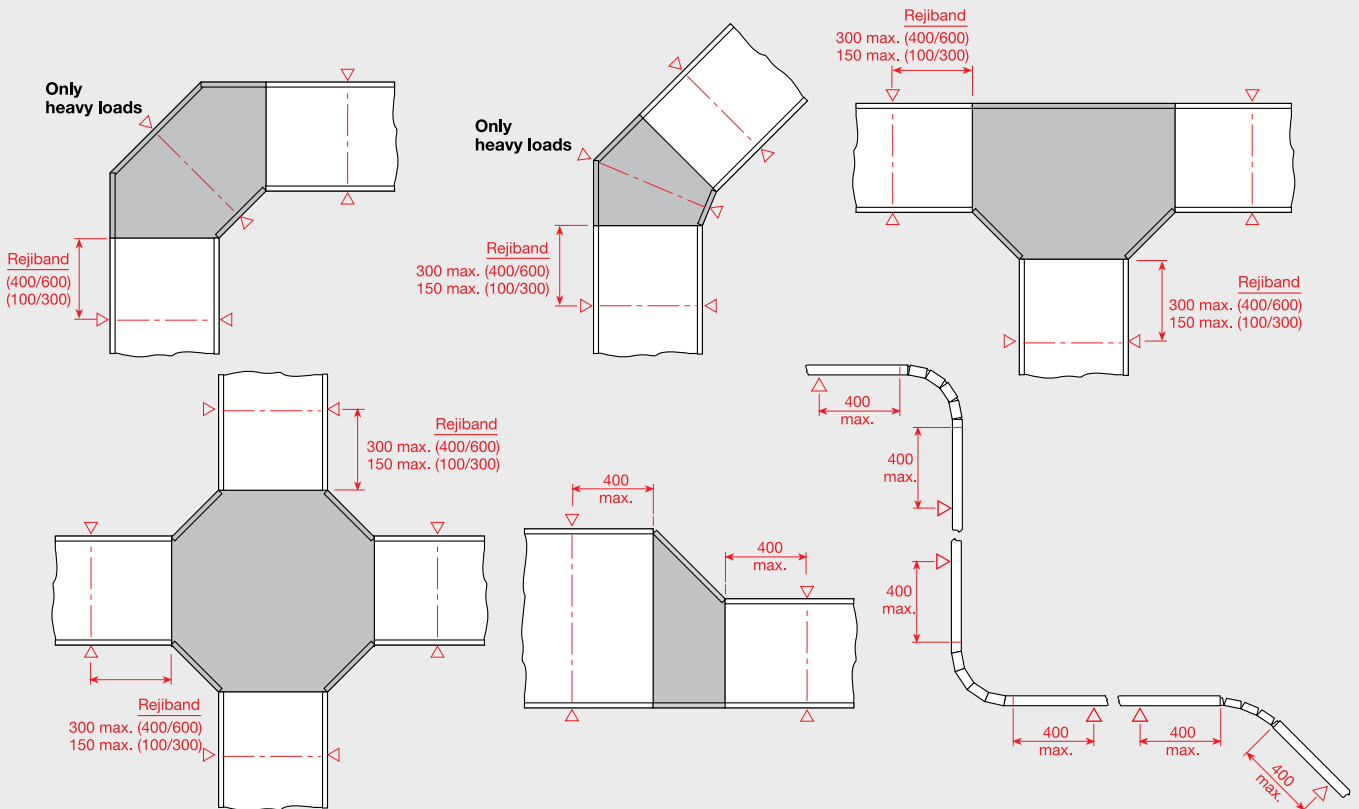
When attaching the supports to the wall or ceiling, particular attention must be paid to the fixings used, making sure it is right for the characteristics of the building.

The use of CHANNEL gives better load distribution, whilst also facilitating adjustment.



6. RECOMMENDED POSITIONS FOR SUPPORTS

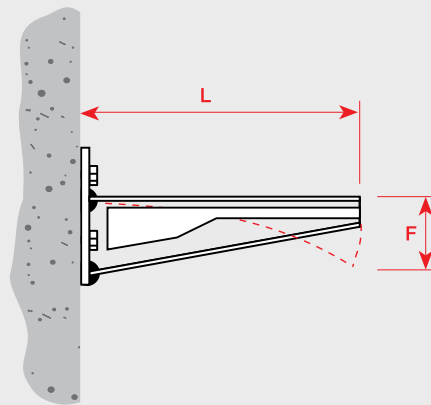
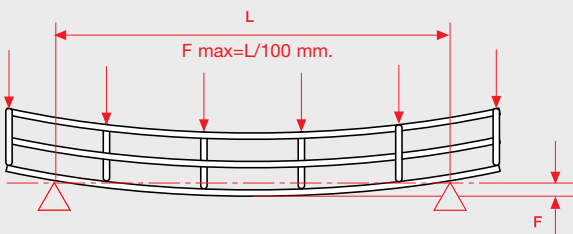
(Same for **rejiband**® steel wire cable trays)



7. TRAY AND SUPPORT DEFORMATION

The weight of cables deforms trays, the most visible point being in the centre between supports.

The allowable value (F) of deformation is purely aesthetic, always taking care not to exceed the values indicated by the manufacturer, which, in accordance with international standard BS-EN 61537, should be as follows:



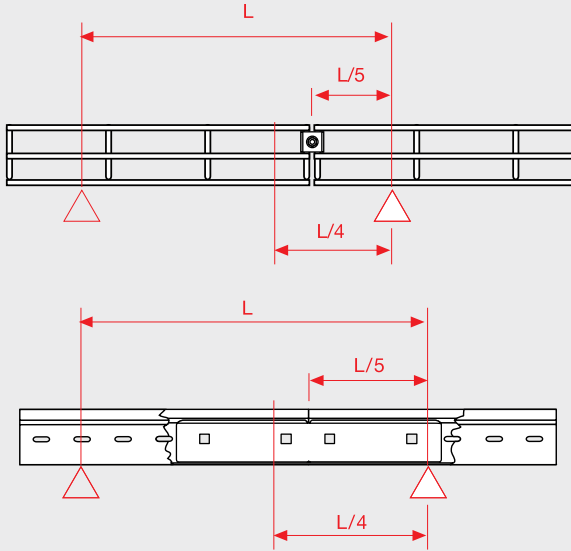
On supports, maximum F deformation and twisting occurs at the ends. The standard requires that the maximum $F = L/20$ mm. The deformation, F is called deflection, and is expressed in mm.

8. CONNECTORS

The trays are shipped in pre packed lengths of 2 or 3 metres. The pieces called CONNECTORS are used for connecting them. For mechanical purposes, the weakest points in a tray installation are the joints. Only the use of the right number of CONNECTORS in the right positions as recommended by the manufacturer can ensure that the entire system will perform satisfactorily.

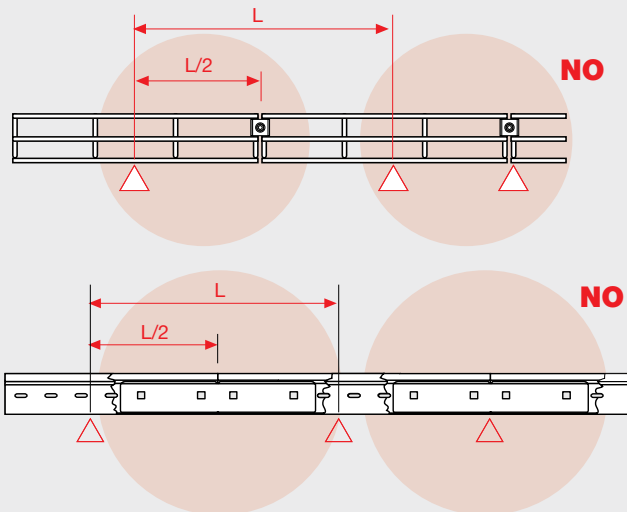
The ideal spot for employing the CONNECTOR is at $L/5$ from the nearest support.

Fitting the CONNECTORS between $L/4$ and $L/5$ is the most advisable approach.



The CONNECTORS should NOT be fitted at point $L/2$ (halfway between the supports), or on the supports.

When $L=1.5$ metres, which is the commonest case, the use of 3-metre lengths ensures the best placing of the joints, unlike using 2-metre lengths.



9. LOAD-BEARING CAPACITY

This is the load (uniformly distributed, NOT concentrated) that a tray can safely cope with.

It is expressed in kilos or kg per running metre, in the form of graph curves or tables.

$$1 \text{ kg} = 9.81 \text{ Newtons}$$

The values are obtained through experiments carried out in accordance with the pertinent standards.

ALL THE LOAD AND PERFORMANCE VALUES GIVEN IN THIS CATALOGUE WERE OBTAINED FROM TESTS CARRIED OUT IN ACCORDANCE WITH INTERNATIONAL EN 61537 STANDARD.

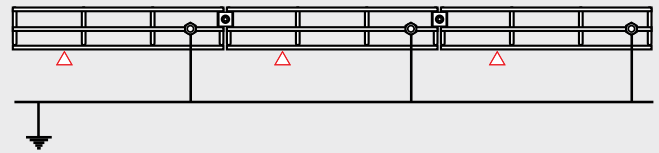
It is often found that similar trays from different manufacturers give different values. This may be due to the load tests not being carried out in accordance with this standard.

For proper comparisons to be made between two similar trays from different manufacturers, check that the values given were found under equivalent test conditions.

10. EARTHING (ELECTRICAL CONTINUITY)

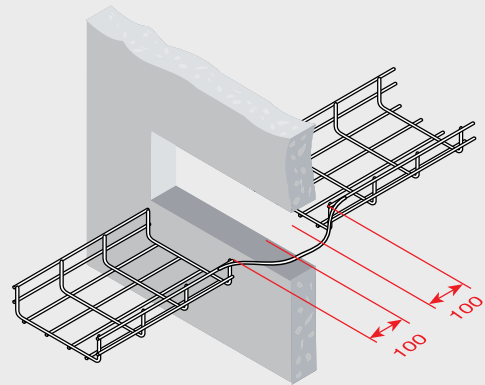
All metal tray systems must have proper electrical continuity. However, to ensure safety, it is advisable to make an earth connection using a suitable conductor for each part of the system.

This CANNOT be done on painted or epoxy-coated trays without removing the protective layer at that point and at the join-points between the various lengths, which will inevitably lead to oxidisation WITHOUT ENSURING safety.

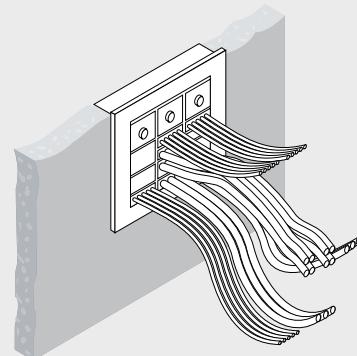


11. THROUGH-WALL MOUNTING

When the trays have to go through a wall, the trays should have a clear space of approximately 100 mm on each side. **The earth connection must always be maintained.**



If the characteristics of the two rooms separated by the wall are different and may pose risks associated with moisture, gas or fire, the hole in the wall should be blocked off using suitable systems from among those available.



The designs, products and technical information contained in this document are protected by intellectual property rights and include the following utility models: 1045098, 1049231, 1049533, 1050990, 1052626, 1052946, 1058557, 1057771, 1057624, 1060615, 1066293, 1061789, 1066293, 1069071, 1069184, 1069695, 1069986, 1070765, 1070555.

PemsaFlex System

Flexible Conduit System Conduits, Connectors and accessories

PemsaFlex has a wide range of conduits, connectors and accessories, manufactured in polyamide and other engineering plastics that provide different solutions in industrial environments.

PemsaFlex is characterized by a wide range of connectors and accessories that perfectly complement the protection of the wiring installation. Angle connectors 45° and 90°, plastic and metallic threads and other special fittings increase the range available.

These connectors and accessories use the Click System that allows fast and easy assembly, providing excellent levels of protection.

PemsaFlex Conduit System is installed in many high level environments and applications. Railway industries, Robotics applications, Electrical installations for equipment on board ships, buildings and Contractor applications.

These Conduit systems are manufactured and tested under the features detailed within IEC61386 standards under the CE marking according to the European directive on low voltage.

Pemsa manufactures under the ISO 9001 quality standard, ensuring they provide a high level of technical excellence whilst making their products highly competitive.

Advantages

- Wide range of types and sizes.
- Excellent properties and flexibility.
- Quick and easy installation.
- Excellent Cable protection, liquid and solid tight.
- High resistance to UV Radiation. Recommended for outside applications.



Product Reference Index

Reference	Product	Finish	EAN Code	Pack Unit	Unit	Page	
6021	60211060	REJIBAND 35X60 WIRE MESH TRAY	E.G.	8431927046499	24	m	6,16
	60211100	REJIBAND 35X100 WIRE MESH TRAY	E.G.	8431927012395	24	m	6,16
	60211150	REJIBAND 35X150 WIRE MESH TRAY	E.G.	8431927036728	24	m	6,16
	60211200	REJIBAND 35X200 WIRE MESH TRAY	E.G.	8431927012401	18	m	6,16
	60211300	REJIBAND 35X300 WIRE MESH TRAY	E.G.	8431927012418	18	m	6,16
	60211400	REJIBAND 35X400 WIRE MESH TRAY	E.G.	8431927015907	12	m	6,16
	60212060	REJIBAND 60X60 WIRE MESH TRAY	E.G.	8431927012425	24	m	6,16
	60212100	REJIBAND 60X100 WIRE MESH TRAY	E.G.	8431927012432	24	m	6,16
	60212150	REJIBAND 60X150 WIRE MESH TRAY	E.G.	8431927012449	24	m	6,16
	60212200	REJIBAND 60X200 WIRE MESH TRAY	E.G.	8431927012456	18	m	6,16
	60212300	REJIBAND 60X300 WIRE MESH TRAY	E.G.	8431927012463	12	m	6,16
	60212400	REJIBAND 60X400 WIRE MESH TRAY	E.G.	8431927012470	6	m	6,16
	60212450	REJIBAND 60X450 WIRE MESH TRAY	E.G.	8431927083111	6	m	6,16
	60212500	REJIBAND 60X500 WIRE MESH TRAY	E.G.	8431927012487	6	m	6,16
	60212600	REJIBAND 60X600 WIRE MESH TRAY	E.G.	8431927012494	6	m	6,16
	60213100	REJIBAND 100X100 WIRE MESH TRAY	E.G.	8431927076823	12	m	6,16
	60213150	REJIBAND 100X150 WIRE MESH TRAY	E.G.	8431927042606	6	m	6,16
	60213200	REJIBAND 100X200 WIRE MESH TRAY	E.G.	8431927012500	6	m	6,16
	60213300	REJIBAND 100X300 WIRE MESH TRAY	E.G.	8431927012517	6	m	6,16
	60213400	REJIBAND 100X400 WIRE MESH TRAY	E.G.	8431927012524	6	m	6,16
60213500	REJIBAND 100X500 WIRE MESH TRAY	E.G.	8431927012531	6	m	6,16	
60213600	REJIBAND 100X600 WIRE MESH TRAY	E.G.	8431927012548	6	m	6,16	
60215020	REJITECH FALSE CEILING TRAY	E.G.	8431927012562	16	m	19	
6022	60220000	REJIBAND WIRE MESH TRAY ANGLE TRAY	Bycro	8431927006462	18	m	19
	60221060	REJIBAND 35X60 WIRE MESH TRAY	Bycro	8431927046505	24	m	6, 16
	60221100	REJIBAND 35X100 WIRE MESH TRAY	Bycro	8431927006479	24	m	6, 16
	60221150	REJIBAND 35X150 WIRE MESH TRAY	Bycro	8431927027184	24	m	6, 16
	60221200	REJIBAND 35X200 WIRE MESH TRAY	Bycro	8431927006486	18	m	6, 16
	60221300	REJIBAND 35X300 WIRE MESH TRAY	Bycro	8431927006493	18	m	6, 16
	60221400	REJIBAND 35X400 WIRE MESH TRAY	Bycro	8431927015914	12	m	6, 16
	60222060	REJIBAND 60X60 WIRE MESH TRAY	Bycro	8431927006509	24	m	6, 16
	60222100	REJIBAND 60X100 WIRE MESH TRAY	Bycro	8431927006516	24	m	6, 16, 68, 69, 70, 71
	60222150	REJIBAND 60X150 WIRE MESH TRAY	Bycro	8431927006523	24	m	6, 16, 68, 69, 70, 71
	60222200	REJIBAND 60X200 WIRE MESH TRAY	Bycro	8431927006530	18	m	6, 16, 68, 69, 70, 71
	60222300	REJIBAND 60X300 WIRE MESH TRAY	Bycro	8431927006547	12	m	6, 16, 68, 69, 70, 71
	60222400	REJIBAND 60X400 WIRE MESH TRAY	Bycro	8431927006554	6	m	6, 16, 68, 69, 70, 71
	60222450	REJIBAND 60X450 WIRE MESH TRAY	Bycro	8431927027191	6	m	6, 16
	60222500	REJIBAND 60X500 WIRE MESH TRAY	Bycro	8431927006561	6	m	6, 16
	60222600	REJIBAND 60X600 WIRE MESH TRAY	Bycro	8431927006578	6	m	6, 16
	60223100	REJIBAND 100X100 WIRE MESH TRAY	Bycro	8431927076830	12	m	6
	60223150	REJIBAND 100X150 WIRE MESH TRAY	Bycro	ON REQUEST	6	m	6
	60223200	REJIBAND 100X200 WIRE MESH TRAY	Bycro	8431927006585	6	m	6
	60223300	REJIBAND 100X300 WIRE MESH TRAY	Bycro	8431927006592	6	m	6
60223400	REJIBAND 100X400 WIRE MESH TRAY	Bycro	8431927006608	6	m	6	
60223500	REJIBAND 100X500 WIRE MESH TRAY	Bycro	8431927006615	6	m	6	
60223600	REJIBAND 100X600 WIRE MESH TRAY	Bycro	8431927006622	6	m	6	
60225020	REJITECH FALSE CEILING TRAY	Bycro	8431927006646	16	m	19	
6023	60230000	REJIBAND WIRE MESH TRAY ANGLE TRAY	H.D.G.*	8431927006653	18	m	19
	60231060	REJIBAND 35X60 WIRE MESH TRAY	H.D.G.*	8431927046512	24	m	6, 16
	60231100	REJIBAND 35X100 WIRE MESH TRAY	H.D.G.*	8431927006660	24	m	6, 16
	60231200	REJIBAND 35X200 WIRE MESH TRAY	H.D.G.*	8431927006677	18	m	6, 16
	60231300	REJIBAND 35X300 WIRE MESH TRAY	H.D.G.*	8431927006684	18	m	6, 16
	60231400	REJIBAND 35X400 WIRE MESH TRAY	H.D.G.*	8431927015921	12	m	6, 16
	60232060	REJIBAND 60X60 WIRE MESH TRAY	H.D.G.*	8431927006691	24	m	6, 16
	60232100	REJIBAND 60X100 WIRE MESH TRAY	H.D.G.*	8431927006707	24	m	6, 16, 68, 69, 70, 71
	60232150	REJIBAND 60X150 WIRE MESH TRAY	H.D.G.*	8431927006714	24	m	6, 16, 68, 69, 70, 71
	60232200	REJIBAND 60X200 WIRE MESH TRAY	H.D.G.*	8431927006721	12	m	6, 16, 68, 69, 70, 71
	60232300	REJIBAND 60X300 WIRE MESH TRAY	H.D.G.*	8431927006738	12	m	6, 16, 68, 69, 70, 71
	60232400	REJIBAND 60X400 WIRE MESH TRAY	H.D.G.*	8431927006745	6	m	6, 16, 68, 69, 70, 71

Reference	Product	Finish	EAN Code	Pack Unit	Unit	Page		
6023	60232500	REJIBAND 60X500 WIRE MESH TRAY	H.D.G.*	8431927006752	6	m	6, 16	
	60232600	REJIBAND 60X600 WIRE MESH TRAY	H.D.G.*	8431927006769	6	m	6, 16	
	60233100	REJIBAND 100X100 WIRE MESH TRAY	H.D.G.*	8431927076847	12	m	6	
	60233150	REJIBAND 100X150 WIRE MESH TRAY	H.D.G.*	ON REQUEST	6	m	6	
	60233200	REJIBAND 100X200 WIRE MESH TRAY	H.D.G.*	8431927006776	6	m	6	
	60233300	REJIBAND 100X300 WIRE MESH TRAY	H.D.G.*	8431927006783	6	m	6	
	60233400	REJIBAND 100X400 WIRE MESH TRAY	H.D.G.*	8431927006790	6	m	6	
	60233500	REJIBAND 100X500 WIRE MESH TRAY	H.D.G.*	8431927006806	6	m	6	
60233600	REJIBAND 100X600 WIRE MESH TRAY	H.D.G.*	8431927006813	6	m	6		
6025	60250000	REJIBAND WIRE MESH TRAY ANGLE TRAY	S.S. 304	8431927006820	18	m	19	
	60251060	REJIBAND 35X60 WIRE MESH TRAY	S.S. 304	On Request	24	m	7, 16	
	60251100	REJIBAND 35X100 WIRE MESH TRAY	S.S. 304	8431927006837	24	m	7, 16	
	60251200	REJIBAND 35X200 WIRE MESH TRAY	S.S. 304	8431927006844	18	m	7, 16	
	60251300	REJIBAND 35X300 WIRE MESH TRAY	S.S. 304	8431927006851	18	m	7, 16	
	60251400	REJIBAND 35X400 WIRE MESH TRAY	S.S. 304	8431927015938	12	m	7, 16	
	60252060	REJIBAND 60X60 WIRE MESH TRAY	S.S. 304	8431927006868	24	m	7, 16	
	60252100	REJIBAND 60X100 WIRE MESH TRAY	S.S. 304	8431927006875	24	m	7, 16	
	60252150	REJIBAND 60X150 WIRE MESH TRAY	S.S. 304	8431927006882	24	m	7, 16	
	60252200	REJIBAND 60X200 WIRE MESH TRAY	S.S. 304	8431927006899	12	m	7, 16	
	60252300	REJIBAND 60X300 WIRE MESH TRAY	S.S. 304	8431927006905	12	m	7, 16	
	60252400	REJIBAND 60X400 WIRE MESH TRAY	S.S. 304	8431927006912	6	m	7, 16	
	60252500	REJIBAND 60X500 WIRE MESH TRAY	S.S. 304	8431927006929	6	m	7, 16	
	60252600	REJIBAND 60X600 WIRE MESH TRAY	S.S. 304	8431927006936	6	m	7, 16	
	60253100	REJIBAND 100X100 WIRE MESH TRAY	S.S. 304	8431927036810	12	m	7	
	60253150	REJIBAND 100X150 WIRE MESH TRAY	S.S. 304	ON REQUEST	6	m	7	
	60253200	REJIBAND 100X200 WIRE MESH TRAY	S.S. 304	8431927006943	6	m	7	
	60253300	REJIBAND 100X300 WIRE MESH TRAY	S.S. 304	8431927006950	6	m	7	
	60253400	REJIBAND 100X400 WIRE MESH TRAY	S.S. 304	8431927006967	6	m	7	
	60253500	REJIBAND 100X500 WIRE MESH TRAY	S.S. 304	8431927006974	6	m	7	
	60253600	REJIBAND 100X600 WIRE MESH TRAY	S.S. 304	8431927006981	6	m	7	
	6026	60260000	REJIBAND WIRE MESH TRAY ANGLE TRAY	S.S. 316	8431927018458	18	m	19
		60261060	REJIBAND 35X60 WIRE MESH TRAY	S.S. 316	On Request	24	m	7, 16
		60261100	REJIBAND 35X100 WIRE MESH TRAY	S.S. 316	8431927018465	24	m	7, 16
60261200		REJIBAND 35X200 WIRE MESH TRAY	S.S. 316	8431927018472	18	m	7, 16	
60261300		REJIBAND 35X300 WIRE MESH TRAY	S.S. 316	8431927018489	18	m	7, 16	
60261400		REJIBAND 35X400 WIRE MESH TRAY	S.S. 316	8431927018496	12	m	7, 16	
60262060		REJIBAND 60X60 WIRE MESH TRAY	S.S. 316	8431927018502	24	m	7, 16	
60262100		REJIBAND 60X100 WIRE MESH TRAY	S.S. 316	8431927014726	24	m	7, 16	
60262150		REJIBAND 60X150 WIRE MESH TRAY	S.S. 316	8431927014733	24	m	7, 16	
60262200		REJIBAND 60X200 WIRE MESH TRAY	S.S. 316	8431927014740	12	m	7, 16	
60262300		REJIBAND 60X300 WIRE MESH TRAY	S.S. 316	8431927014757	12	m	7, 16	
60262400		REJIBAND 60X400 WIRE MESH TRAY	S.S. 316	8431927014764	6	m	7, 16	
60262500		REJIBAND 60X500 WIRE MESH TRAY	S.S. 316	8431927014771	6	m	7, 16	
60262600		REJIBAND 60X600 WIRE MESH TRAY	S.S. 316	8431927014788	6	m	7, 16	
60263100		REJIBAND 100X100 WIRE MESH TRAY	S.S. 316	8431927042620	12	m	7	
60263150		REJIBAND 100X150 WIRE MESH TRAY	S.S. 316	8431927042637	6	m	7	
60263200		REJIBAND 100X200 WIRE MESH TRAY	S.S. 316	8431927018519	6	m	7	
60263300		REJIBAND 100X300 WIRE MESH TRAY	S.S. 316	8431927018526	6	m	7	
60263400		REJIBAND 100X400 WIRE MESH TRAY	S.S. 316	8431927018533	6	m	7	
60263500		REJIBAND 100X500 WIRE MESH TRAY	S.S. 316	8431927018540	6	m	7	
60263600		REJIBAND 100X600 WIRE MESH TRAY	S.S. 316	8431927018557	6	m	7	
6020		62011060	SIDE SUPPORT 60	E.G.	8431927012579	Pack of 25	u	14, 42
		62016020	LIGHT DUTY CEILING SUPPORT	E.G.	8431927044631	Pack of 36	u	7
		62016021	LIGHT DUTY WALL SUPPORT	E.G.	8431927044600	Pack of 25	u	7
	62016022	BASE SUPPORT 60 REJIBAND	E.G.	8431927065988	Pack of 25	u	7	
	62021060	SIDE SUPPORT 60	E.B.	8431927006998	Pack of 25	u	14, 50	
	62021104	OMEGA SPLUS UNIVERSAL BRACKET 100	P.G.	8431927017543	Pack of 5	u	46, 48, 68	
	62021154	OMEGA SPLUS UNIVERSAL BRACKET 150	P.G.	8431927017550	Pack of 5	u	46, 48, 68	
	62021204	OMEGA SPLUS UNIVERSAL BRACKET 200	P.G.	8431927017567	Pack of 5	u	46, 48, 68	

Product Reference Index

Reference	Product	Finish	EAN Code	Pack Unit	Unit	Page	
	62021304	OMEGA SPLUS UNIV. BRACKET/PENDANT 300	P.G.	8431927017574	Pack of 5	u	46, 48, 54, 68
	62021404	OMEGA SPLUS UNIV. BRACKET/PENDANT 400	P.G.	8431927017581	Pack of 5	u	46, 48, 54, 68
	62021504	OMEGA SPLUS UNIV. BRACKET/PENDANT 500	P.G.	8431927017598	Pack of 5	u	54
	62021604	OMEGA SPLUS UNIV. BRACKET/PENDANT 600	P.G.	8431927017604	Pack of 5	u	54
	62022104	OMEGA SPLUS CEILING BRACKET 100	P.G.	8431927017611	Pack of 4	u	46,48,70
	62022154	OMEGA SPLUS CEILING BRACKET 150	P.G.	8431927017628	Pack of 4	u	46,48,70
	62022204	OMEGA SPLUS CEILING BRACKET 200	P.G.	8431927017635	Pack of 4	u	46,48,70
	62022304	OMEGA SPLUS CEILING BRACKET 300	P.G.	8431927017642	Pack of 4	u	46,48,70
	62022404	OMEGA SPLUS CEILING BRACKET 400	P.G.	8431927017659	Pack of 4	u	46,48,70
	62025103	MEDIUM DUTY CANTILEVER R PLUS 100	P.G.	8431927039811	Pack of 4	u	47, 49, 69, 71
	62025153	MEDIUM DUTY CANTILEVER R PLUS 150	P.G.	8431927039828	Pack of 4	u	47, 49, 69, 71
	62025203	MEDIUM DUTY CANTILEVER R PLUS 200	P.G.	8431927039835	Pack of 4	u	47, 49, 69, 71
	62025303	MEDIUM DUTY CANTILEVER R PLUS 300	P.G.	8431927039842	Pack of 4	u	47, 49, 69, 71
	62025403	MEDIUM DUTY CANTILEVER R PLUS 400	P.G.	8431927039859	Pack of 4	u	47, 49, 69, 71
	62025503	MEDIUM DUTY CANTILEVER R PLUS 500	P.G.	8431927039866	Pack of 4	u	47, 49
	62025603	MEDIUM DUTY CANTILEVER R PLUS 600	P.G.	8431927039873	Pack of 4	u	47, 49
	62026010	MINI UNIVERSAL BRACKET	P.G.	8431927007186	Pack of 10	u	15, 51
	62026011	UNIVERSAL BRACKET	P.G.	8431927007193	Pack of 10	u	15, 51
	62026020	LIGHT DUTY CEILING SUPPORT	Bycro	8431927044648	Pack of 36	u	14, 50
	62026021	LIGHT DUTY WALL SUPPORT	Bycro	8431927044617	Pack of 25	u	14, 50
	62026022	BASE SUPPORT 60 REJIBAND	Bycro	8431927065995	Pack of 25	u	14
6203	62031060	SIDE SUPPORT 60	H.D.G.*	8431927007247	Pack of 25	u	14, 50
	62031084	OMEGA PROTECTOR	Plastic	8431927045874	Pack of 50	u	51
	62031085	OMEGA PLUG	Plastic	8431927036858	Pack of 50	u	51
	62031090	E90 SPLUS CONNECTOR	H.D.G.*	8431927045171	Pack of 60	u	50, 68, 70
	62031104	OMEGA SPLUS UNIVERSAL BRACKET 100	H.D.G.*	8431927017765	Pack of 5	u	46, 48, 68
	62031154	OMEGA SPLUS UNIVERSAL BRACKET 150	H.D.G.*	8431927017772	Pack of 5	u	46, 48, 68
	62031204	OMEGA SPLUS UNIVERSAL BRACKET 200	H.D.G.*	8431927017789	Pack of 5	u	46, 48, 68
	62031304	OMEGA SPLUS UNIV. BRACKET/PENDANT 300	H.D.G.*	8431927017796	Pack of 5	u	46, 48, 54, 68
	62031404	OMEGA SPLUS UNIV. BRACKET/PENDANT 400	H.D.G.*	8431927017802	Pack of 5	u	46, 48, 54, 68
	62031504	OMEGA SPLUS UNIV. BRACKET/PENDANT 500	H.D.G.*	8431927017819	Pack of 5	u	54
	62031604	OMEGA SPLUS UNIV. BRACKET/PENDANT 600	H.D.G.*	8431927017826	Pack of 5	u	54
	62032104	OMEGA SPLUS CEILING BRACKET 100	H.D.G.*	8431927017833	Pack of 4	u	46, 48, 70
	62032154	OMEGA SPLUS CEILING BRACKET 150	H.D.G.*	8431927017840	Pack of 4	u	46, 48, 70
	62032204	OMEGA SPLUS CEILING BRACKET 200	H.D.G.*	8431927017857	Pack of 4	u	46, 48, 70
	62032304	OMEGA SPLUS CEILING BRACKET 300	H.D.G.*	8431927017864	Pack of 4	u	46, 48, 70
	62032404	OMEGA SPLUS CEILING BRACKET 400	H.D.G.*	8431927017871	Pack of 4	u	46, 48, 70
	62035001	E90 RPLUS CONNECTOR	H.D.G.*	8431927044525	Pack of 15	u	38, 50, 69, 71
	62035103	MEDIUM DUTY CANTILEVER R PLUS 100	H.D.G.*	8431927039880	Pack of 4	u	30, 47, 49, 69, 71
	62035153	MEDIUM DUTY CANTILEVER R PLUS 150	H.D.G.*	8431927039897	Pack of 4	u	30, 47, 49, 69, 71
	62035203	MEDIUM DUTY CANTILEVER R PLUS 200	H.D.G.*	8431927039903	Pack of 4	u	30, 47, 49, 69, 71
	62035303	MEDIUM DUTY CANTILEVER R PLUS 300	H.D.G.*	8431927039910	Pack of 4	u	30, 47, 49, 69, 71
	62035403	MEDIUM DUTY CANTILEVER R PLUS 400	H.D.G.*	8431927039927	Pack of 4	u	30, 47, 49, 69, 71
	62035503	MEDIUM DUTY CANTILEVER R PLUS 500	H.D.G.*	8431927039934	Pack of 4	u	30, 47, 49
	62035603	MEDIUM DUTY CANTILEVER R PLUS 600	H.D.G.*	8431927039941	Pack of 4	u	30, 47, 49
	62035703	MEDIUM DUTY CANTILEVER R PLUS 700	H.D.G.*	8431927066091	Pack of 4	u	30, 49
	62035753	MEDIUM DUTY CANTILEVER R PLUS 750	H.D.G.*	8431927066299	Pack of 4	u	30, 49
	62035803	MEDIUM DUTY CANTILEVER R PLUS 800	H.D.G.*	8431927066107	Pack of 4	u	30, 49
	62035903	MEDIUM DUTY CANTILEVER R PLUS 900	H.D.G.*	8431927066114	Pack of 4	u	30, 49
	62035993	MEDIUM DUTY CANTILEVER R PLUS 1000	H.D.G.*	8431927066121	Pack of 4	u	30, 49
	62036010	MINI UNIVERSAL BRACKET	H.D.G.*	8431927007667	Pack of 10	u	15, 51
	62036011	UNIVERSAL BRACKET	H.D.G.*	8431927007674	Pack of 10	u	15, 51
	62036020	LIGHT DUTY CEILING SUPPORT	H.D.G.*	8431927044655	Pack of 36	u	14, 50
	62036021	LIGHT DUTY WALL SUPPORT	H.D.G.*	8431927044624	Pack of 25	u	14, 50
	62036022	BASE SUPPORT 60 REJIBAND	H.D.G.*	8431927065995	Pack of 25	u	14
	62037002	ADJUSTABLE RPLUS KIT	H.D.G.*	8431927046185	Pack of 4	u	47, 49
6205	62051154	OMEGA SPLUS UNIVERSAL BRACKET 150	S.S. 304	8431927078230	Pack of 5	u	46, 48
	62051204	OMEGA SPLUS UNIVERSAL BRACKET 200	S.S. 304	8431927078247	Pack of 5	u	46, 48
	62051304	OMEGA SPLUS UNIVERSAL BRACKET/PENDANT 300	S.S. 304	8431927078254	Pack of 5	u	46, 48
	62051404	OMEGA SPLUS UNIVERSAL BRACKET/PENDANT 400	S.S. 304	8431927078261	Pack of 5	u	46, 48
	62051504	OMEGA SPLUS UNIVERSAL BRACKET/PENDANT 500	S.S. 304	8431927078278	Pack of 5	u	46, 48
	62051604	OMEGA SPLUS UNIVERSAL BRACKET/PENDANT 600	S.S. 304	8431927078285	Pack of 5	u	46, 48
	62052104	OMEGA SPLUS CEILING BRACKET 100	S.S. 304	8431927078292	Pack of 4	u	46, 48
	62052154	OMEGA SPLUS CEILING BRACKET 150	S.S. 304	8431927078308	Pack of 4	u	46, 48
	62052204	OMEGA SPLUS CEILING BRACKET 200	S.S. 304	8431927078315	Pack of 4	u	46, 48
	62052304	OMEGA SPLUS CEILING BRACKET 300	S.S. 304	8431927078322	Pack of 4	u	46, 48
	62052404	OMEGA SPLUS CEILING BRACKET 400	S.S. 304	8431927078339	Pack of 4	u	46, 48
	62055103	MEDIUM DUTY CANTILEVER R PLUS 100	S.S. 304	8431927078346	Pack of 4	u	47, 49

Reference	Product	Finish	EAN Code	Pack Unit	Unit	Page
	62055153 MEDIUM DUTY CANTILEVER R PLUS 150	S.S. 304	8431927078353	Pack of 4	u	47, 49
	62055203 MEDIUM DUTY CANTILEVER R PLUS 200	S.S. 304	8431927078360	Pack of 4	u	47, 49
	62055303 MEDIUM DUTY CANTILEVER R PLUS 300	S.S. 304	8431927078377	Pack of 4	u	47, 49
	62055403 MEDIUM DUTY CANTILEVER R PLUS 400	S.S. 304	8431927078384	Pack of 4	u	47, 49
	62055503 MEDIUM DUTY CANTILEVER R PLUS 500	S.S. 304	8431927078391	Pack of 4	u	47, 49
	62055603 Medium Duty Cantilever R Plus 600	S.S. 304	8431927078407	Pack of 4	u	47, 49
6206	62061060 SIDE SUPPORT 60	S.S. 316	8431927018564	Pack of 25	u	14, 50
	62061104 OMEGA SPLUS UNIVERSAL BRACKET 100	S.S. 316	8431927018571	Pack of 5	u	46, 48
	62061154 OMEGA SPLUS UNIVERSAL BRACKET 150	S.S. 316	8431927018588	Pack of 5	u	46, 48
	62061204 OMEGA SPLUS UNIVERSAL BRACKET 200	S.S. 316	8431927018595	Pack of 5	u	46, 48
	62061304 OMEGA SPLUS UNIV. BRACKET/PENDANT 300	S.S. 316	8431927018601	Pack of 5	u	46, 48, 54
	62061404 OMEGA SPLUS UNIV. BRACKET/PENDANT 400	S.S. 316	8431927018618	Pack of 5	u	46, 48, 54
	62061504 OMEGA SPLUS UNIV. BRACKET/PENDANT 500	S.S. 316	8431927018625	Pack of 5	u	54
	62061604 OMEGA SPLUS UNIV. BRACKET/PENDANT 600	S.S. 316	8431927018632	Pack of 5	u	54
	62062104 OMEGA SPLUS CEILING BRACKET 100	S.S. 316	8431927018649	Pack of 4	u	46, 48
	62062154 OMEGA SPLUS CEILING BRACKET 150	S.S. 316	8431927018656	Pack of 4	u	46, 48
	62062204 OMEGA SPLUS CEILING BRACKET 200	S.S. 316	8431927018663	Pack of 4	u	46, 48
	62062304 OMEGA SPLUS CEILING BRACKET 300	S.S. 316	8431927018670	Pack of 4	u	46, 48
	62062404 OMEGA SPLUS CEILING BRACKET 400	S.S. 316	8431927018687	Pack of 4	u	46, 48
	62065103 MEDIUM DUTY CANTILEVER R PLUS 100	S.S. 316	8431927040022	Pack of 4	u	47, 49
	62065153 MEDIUM DUTY CANTILEVER R PLUS 150	S.S. 316	8431927040039	Pack of 4	u	47, 49
	62065203 MEDIUM DUTY CANTILEVER R PLUS 200	S.S. 316	8431927040046	Pack of 4	u	47, 49
	62065303 MEDIUM DUTY CANTILEVER R PLUS 300	S.S. 316	8431927040053	Pack of 4	u	47, 49
	62065403 MEDIUM DUTY CANTILEVER R PLUS 400	S.S. 316	8431927040060	Pack of 4	u	47, 49
	62065503 MEDIUM DUTY CANTILEVER R PLUS 500	S.S. 316	8431927040077	Pack of 4	u	47, 49
	62065603 MEDIUM DUTY CANTILEVER R PLUS 600	S.S. 316	8431927040084	Pack of 4	u	47, 49
	62066010 MINI UNIVERSAL BRACKET	S.S. 316	8431927018762	Pack of 10	u	15, 51
	62066011 UNIVERSAL BRACKET	S.S. 316	8431927018779	Pack of 10	u	15, 51
	62066022 BASE SUPPORT 60 REJIBAND	S.S. 316	8431927066015	Pack of 25	u	14
6302	63022104 OMEGA CHANNEL SPLUS 100	P.G.	8431927049087	Pack of 10	u	46, 48
	63022154 OMEGA CHANNEL SPLUS 150	P.G.	8431927049094	Pack of 10	u	46, 48
	63022204 OMEGA CHANNEL SPLUS 200	P.G.	8431927018151	Pack of 10	u	46, 48
	63022304 OMEGA CHANNEL SPLUS 300	P.G.	8431927018168	Pack of 10	u	46, 48
	63022404 OMEGA CHANNEL SPLUS 400	P.G.	8431927018175	Pack of 10	u	46, 48
	63022504 OMEGA CHANNEL SPLUS 500	P.G.	8431927018182	Pack of 10	u	46, 48
	63022604 OMEGA CHANNEL SPLUS 600	P.G.	8431927018199	Pack of 10	u	46, 48
6303	63032104 OMEGA CHANNEL SPLUS 100	H.D.G.*	8431927049100	Pack of 10	u	46, 48
	63032154 OMEGA CHANNEL SPLUS 150	H.D.G.*	8431927049117	Pack of 10	u	46, 48
	63032204 OMEGA CHANNEL SPLUS 200	H.D.G.*	8431927018250	Pack of 10	u	46, 48
	63032304 OMEGA CHANNEL SPLUS 300	H.D.G.*	8431927018267	Pack of 10	u	46, 48
	63032404 OMEGA CHANNEL SPLUS 400	H.D.G.*	8431927018274	Pack of 10	u	46, 48
	63032504 OMEGA CHANNEL SPLUS 500	H.D.G.*	8431927018281	Pack of 10	u	46, 48
	63032604 OMEGA CHANNEL SPLUS 600	H.D.G.*	8431927018298	Pack of 10	u	46, 48
	63033303 HEAVY DUTY CANTILEVER R PLUS 300	H.D.G.*	8431927040091	Pack of 4	u	30, 47, 49
	63033403 HEAVY DUTY CANTILEVER R PLUS 400	H.D.G.*	8431927040107	Pack of 4	u	30, 47, 49
	63033503 HEAVY DUTY CANTILEVER R PLUS 500	H.D.G.*	8431927040114	Pack of 4	u	30, 47, 49
	63033603 HEAVY DUTY CANTILEVER R PLUS 600	H.D.G.*	8431927040121	Pack of 4	u	30, 47, 49
	63034103 SYMMETRICAL R PLUS BRACKET 100	H.D.G.*	8431927066138	Pack of 4	u	55
	63034153 SYMMETRICAL R PLUS BRACKET 150	H.D.G.*	8431927066145	Pack of 4	u	55
	63034203 SYMMETRICAL R PLUS BRACKET 200	H.D.G.*	8431927066152	Pack of 4	u	55
	63034303 SYMMETRICAL R PLUS BRACKET 300	H.D.G.*	8431927066169	Pack of 4	u	55
6401	64010059 SERRATED HEXAGON FLANGE NUT	E.G.	8431927008435	Pack of 50	u	61
	64010020 CLICK CONNECTOR	E.G.	8431927012586	Pack of 25	u	8
	64010035 FAST CLICK JOINT	E.G.	8431927044570	Pack of 50	u	8
	64010036 FAST CLICK BASE JOINT	E.G.	8431927044549	Pack of 10	u	8
	64010041 SIDE JOINT PLATE	E.G.	8431927012593	Pack of 50	u	10
	64010059 SERRATED HEXAGON FLANGE NUT	E.G.	8431927008435	Pack of 50	u	61
	64010060 PART CLAMP	E.G.	8431927012609	Pack of 50	u	9
	64010061 REINFORCED JOINT CLAMP	E.G.	8431927012616	Pack of 50	u	8
	64010062 CONNECTOR PLATE	E.G.	8431927012623	Pack of 50	u	10
	64010072 Fast Clip	E.G.	8431927066022	Pack of 50	u	9
6402	64020030 CLICK CONNECTOR	E.B.	8431927008442	Pack of 25	u	8
	64020035 FAST CLICK JOINT	E.B.	8431927044587	Pack of 50	u	8
	64020036 FAST CLICK BASE JOINT	E.B.	8431927044556	Pack of 10	u	8
	64020041 SIDE JOINT PLATE	E.B.	8431927008459	Pack of 50	u	10
	64020059 SERRATED HEXAGON FLANGE NUT	E.B.	8431927008466	Pack of 50	u	61
	64020060 PART CLAMP	E.B.	8431927008473	Pack of 50	u	9, 68, 69, 70, 71
	64020061 REINFORCED JOINT CLAMP	E.B.	8431927008480	Pack of 50	u	8, 68, 69, 70, 71

Product Reference Index

Reference	Product	Finish	EAN Code	Pack Unit	Unit	Page	
	64020062	CONNECTOR PLATE	E.B.	8431927008497	Pack of 50	u	10
	64020072	FAST CLIP REJIBAND	E.B.	8431927066039	Pack of 100	u	9
6403	64030030	CLICK CONNECTOR	H.D.G.*	8431927036896	Pack of 25	u	8
	64030035	FAST CLICK JOINT	H.D.G.*	8431927044594	Pack of 50	u	8
	64030036	FAST CLICK BASE JOINT	H.D.G.*	8431927044563	Pack of 10	u	8
	64030041	SIDE JOINT PLATE	H.D.G.*	8431927008503	Pack of 50	u	10
	64030059	SERRATED HEXAGON FLANGE NUT	H.D.G.*	8431927008510	Pack of 50	u	61
	64030060	PART CLAMP	H.D.G.*	8431927008527	Pack of 50	u	9, 68, 69, 70, 71
	64030061	REINFORCED JOINT CLAMP	H.D.G.*	8431927008534	Pack of 50	u	8, 68, 69, 70, 71
	64030062	CONNECTOR PLATE	H.D.G.*	8431927008541	Pack of 50	u	10
	64030072	FAST CLIP REJIBAND	H.D.G.*	8431927066046	Pack of 100	u	9
	64030160	PART CLAMP M6X30	H.D.G.*	8431927046277	Pack of 50	u	9, 68, 70
6406	64060041	SIDE JOINT PLATE	S.S. 316	8431927018786	Pack of 50	u	10
	64060059	SERRATED HEXAGON FLANGE NUT	S.S. 316	8431927018793	Pack of 50	u	61
	64060060	PART CLAMP	S.S. 316	8431927014818	Pack of 50	u	9
	64060061	REINFORCED JOINT CLAMP	S.S. 316	8431927014825	Pack of 50	u	8
	64060062	CONNECTOR PLATE	S.S. 316	8431927014832	Pack of 50	u	10
6701	67010030	LUMINAIRE AND BOX SUPPORT	E.G.	8431927044662	Pack of 8	u	12
	67010040	CONDUIT GLAND BRACKET	E.G.	8431927012630	Pack of 10	u	13,18
	67010043	CLICK CENTRAL SUSPENSION M8/M10	E.G.	8431927015945	Pack of 20	u	15
	67010043	CLICK CENTRAL SUSPENSION M6	E.G.	8431927012654	Pack of 20	u	15
	67010052	REJITECH CEILING FASTENER	E.G.	8431927015839	Pack of 25	u	19
	67010053	SPLICE PLATE	E.G.	8431927012685	Pack of 10	u	10
	67010056	PLAIN CHANNEL NUT	E.G.	8431927044310	Pack of 100	u	56
	67010065	HEXAGONAL SET SCREW M8X20	E.G.	8431927044327	Pack of 100	u	60
	67010066	HEXAGONAL SET SCREW M8X35	E.G.	8431927044334	Pack of 100	u	60
	67010068	HEXAGONAL SET SCREW M8X15	E.G.	8431927049124	Pack of 100	u	27,60
	67010093	PEMSABAND JOINT KIT M6	E.G.	8431927080516	Pack of 100	u	43,60
	67010099	SHOULDER SCREW M6X12	E.G.	8431927008602	Pack of 100	u	60
	67010100	SHOULDER SCREW M6X20	E.G.	8431927008619	Pack of 100	u	60
	67010140	THREADED ROD M6X500	E.G.	8431927008626	Each	u	15,52
	67010141	THREADED ROD M6X1000	E.G.	8431927008633	Each	u	15,52
	67010046	HANGING PLATE M6	E.G.	8431927012654	Pack of 20	u	15
	67010144	CENTRAL HANGING PLATE M6	E.G.	8431927008664	Pack of 20	u	15
6702	67020010	HEXAGONAL SET SCREW	E.B.	8431927008718	Pack of 100	u	60
	67020013	WASHER	E.B.	8431927008725	Pack of 100	u	61
	67020014	HEXAGONAL NUT	E.B.	8431927008732	Pack of 100	u	61, 68, 69, 71
	67020020	METAL FOOT	P.G.	8431927046208	Pack of 10	u	17, 52, 53
	67020030	LUMINAIRE AND BOX SUPPORT	E.B.	8431927044679	Pack of 8	u	12
	67020039	DATA OUTLET	Plastic	8431927008749	Pack of 10	u	13
	67020040	CONDUIT GLAND BRACKET	E.B.	8431927008756	Pack of 10	u	13, 18
	67020041	REJITECH BOX SUPPORT	E.B.	8431927008763	Pack of 10	u	19
	67020043	CLICK CENTRAL SUSPENSION	E.B.	8431927015976	Pack of 20	u	15
	67020044	THREADED ROD M8X500	E.B.	8431927008770	Each	u	15, 52, 68, 69, 70, 71
	67020045	THREADED ROD M8X100	E.B.	8431927008787	Each	u	15, 52, 68, 69, 71
	67020046	CENTRAL HANGING PLATE M8/M10	E.B.	8431927008794	Pack of 20	u	15
	67020048	BEAM CLAMP HANGING ASSEMBLY	E.G.	8431927014672	Each	u	53
	67020051	ANGLE TRAY FASTENER	E.B.	8431927008824	Pack of 10	u	19
	67020052	REJITECH CEILING FASTENER	E.B.	8431927008831	Pack of 25	u	19
	67020053	SPLICE PLATE	E.B.	8431927008848	Pack of 10	u	10
	67020054	HEXAGONAL SET SCREW M6X15	E.B.	8431927008855	Pack of 100	u	60
	67020055	PLAIN CHANNEL NUT M6	E.B.	8431927008862	Pack of 100	u	56
	67020058	SPRING CHANNEL NUT 21	P.G.	8431927008879	Pack of 100	u	56
	67020059	HEXAGONAL SET SCREW M10X20	E.G.	8431927008886	Pack of 100	u	60
	67020061	WASHER M10	E.G.	8431927008893	Pack of 100	u	61
	67020062	HEXAGONAL NUT M8	E.B.	8431927008909	Pack of 100	u	61, 68, 69, 70, 71
	67020063	WASHER M8	E.B.	8431927008916	Pack of 100	u	61
	67020065	ALLEN SCREW M10X20	E.G.	8431927015181	Pack of 50	u	60
	67020067	M8 ROD CONNECTOR M8	E.B.	8431927008923	Pack of 50	u	56
	67020077	HEXAGONAL SET SCREW M10X35	E.G.	8431927008930	Pack of 100	u	60, 69, 71
	67020079	HEXAGONAL NUT M10	E.G.	8431927008947	Pack of 100	u	61, 68, 69, 71
	67020083	WASHER M8	E.G.	8431927008954	Pack of 100	u	61
	67020084	SERRATED WASHER M8	Passivated	8431927008961	Pack of 100	u	61
	67020086	SERRATED WASHER M10	Passivated	8431927008978	Pack of 100	u	61
	67020092	HEXAGONAL SET SCREW M8X65	E.G.	8431927008985	Pack of 100	u	60
	67020095	HEXAGONAL NUT M8	E.G.	8431927008992	Pack of 100	u	61, 68, 69, 70, 71
	67020098	HEXAGONAL CONE POINT SCREW M10X20	E.B.	8431927009012	Pack of 10	u	60
	67020100	SHOULDER SCREW M6X20	E.B.	8431927009029	Pack of 100	u	60

Reference	Product	Finish	EAN Code	Pack Unit	Unit	Page	
	67020110	OMEGA CHANNEL SPLUS 1000	P.G.	8431927045812	Each (1m)	u	53
	67020111	OMEGA CHANNEL SPLUS 2000	P.G.	8431927045829	Each (2m)	u	53
	67020112	OMEGA CHANNEL SPLUS 3000	P.G.	8431927045829	Each (3m)	u	53
	67020120	METAL FOOT 45	P.G.	8431927046215	Pack of 10	u	17, 52, 53
	67020140	THREADED ROD M6X500	E.B.	8431927016065	Each	u	15, 52
	67020141	THREADED ROD M6X10000	E.B.	8431927016072	Each	u	15, 52
	67020143	CLICK CENTRAL SUSPENSION M6	E.B.	8431927015983	Pack of 20	u	15
	67020145	THREADED ROD M10X1000	E.B.	8431927009036	Each	u	15, 52, 68, 69, 71
	67020158	SPRING CHANNEL NUT 41	P.G.	8431927045188	Pack of 100	u	56, 69, 71
	67020159	SPRING CHANNEL SCREW 41	P.G.	8431927045225	Pack of 100	u	56
	67020243	CLICK CENTRAL SUSPENSION M10	E.B.	8431927015990	Pack of 20	u	15
	67020520	STAND OFF BRACKET CLICK 100	P.G.	8431927066176	Pack of 10	u	17, 52
	67020522	STAND OFF BRACKET CLICK 200	P.G.	8431927066183	Pack of 10	u	17, 52
	67020524	STAND OFF BRACKET CLICK 300	P.G.	8431927066190	Pack of 10	u	17, 52
	67020610	CLICK DIVIDER 25	P.G.	8431927017024	Pack of 60	u	9
	67020611	CLICK DIVIDER 50	P.G.	8431927017031	Pack of 48	u	9
	67020612	CLICK DIVIDER 80	P.G.	8431927017048	Pack of 36	u	9
6703	67030010	HEXAGONAL SET SCREW M10X60	H.D.G.*	8431927044341	Pack of 100	u	60
	67030013	WASHER M10	H.D.G.*	8431927044358	Pack of 100	u	61
	67030014	HEXAGONAL NUT M10	H.D.G.*	8431927044365	Pack of 100	u	61, 68, 69, 71
	67030020	METAL FOOT 45	H.D.G.*	8431927046291	Pack of 10	u	17, 52, 53
	67030030	LUMINAIRE AND BOX SUPPORT	H.D.G.*	8431927044686	Pack of 8	u	12
	67030043	CLICK CENTRAL SUSPENSION M8	H.D.G.*	8431927016003	Pack of 20	u	15
	67030046	CENTRAL HANGING PLATE M8/M10	H.D.G.*	8431927009050	Pack of 20	u	15, 27
	67030047	SPLICE PLATE	H.D.G.*	8431927009067	Pack of 10	u	10
	67030052	HEAVY DUTY CHANNEL 41X21X2.5	P.G.	8431927009074	3 m	u	61
	67030053	HEAVY DUTY CHANNEL 41X41X2.5	P.G.	8431927009081	3 m	u	61, 69
	67030055	HEAVY DUTY CHANNEL 41X21X2.5	H.D.G.*	8431927009098	3 m	u	61
	67030056	PLAIN CHANNEL NUT M8	H.D.G.*	8431927044372	Pack of 100	u	56
	67030057	HEAVY DUTY CHANNEL 41X41X2.5	H.D.G.*	8431927009104	3 m	u	61, 69
	67030058	SPRING CHANNEL NUT 21	H.D.G.*	8431927044389	Pack of 100	u	56
	67030059	HEXAGONAL SET SCREW M10X20	H.D.G.*	8431927044396	Pack of 100	u	60
	67030060	CEILING ROD BRACKET	P.G.	8431927009128	Pack of 10	u	52
	67030061	VARIABLE CEILING ROD BRACKET	H.D.G.*	8431927009135	Each	u	31, 52
	67030062	HEXAGONAL NUT M8	H.D.G.*	8431927044402	Pack of 100	u	27, 61, 68, 69, 70, 71
	67030063	WASHER M8	H.D.G.*	8431927044419	Pack of 100	u	61
	67030064	CHANNEL FLOOR BOSS 41X41	H.D.G.*	8431927009142	Each	u	59
	67030065	HEXAGONAL SET SCREW M8X20	H.D.G.*	8431927044426	Pack of 100	u	60
	67030066	HEXAGONAL SET SCREW M8X35	H.D.G.*	8431927044433	Pack of 100	u	60
	67030068	HEXAGONAL SET SCREW M8X15	H.D.G.*	8431927049131	Pack of 100	u	27, 60
	67030074	LIGHT DUTY CHANNEL 41X41	P.G.	8431927009159	3 m	u	55
	67030075	LIGHT DUTY CHANNEL 41X21	P.G.	8431927009166	3 m	u	55
	67030077	HEXAGONAL SET SCREW M10X35	H.D.G.*	8431927044440	Pack of 100	u	60, 69, 71
	67030093	PEMSABAND JOINT KIT M6	H.D.G.*	8431927080523	Pack of 100	u	43, 60
	67030094	MEGABAND JOINT KIT M8	H.D.G.*	8431927080530	Pack of 100	u	27, 60
	67030099	SHOULDER SCREW M6X12	H.D.G.*	8431927009210	Pack of 100	u	60
	67030100	SHOULDER SCREW M6X20	H.D.G.*	8431927009227	Pack of 100	u	60
	67030101	CHANNEL BEAM CLAMP	E.B.	8431927009234	Each	u	59
	67030102	ADJUSTABLE ANGLE BRACKET	H.D.G.*	8431927045195	Each	u	59
	67030109	SHOULDER SCREW M6X30	H.D.G.*	8431927046284	Pack of 100	u	60
	67030110	OMEGA CHANNEL SPLUS 1000	H.D.G.*	8431927045843	Each (1m)	u	53
	67030111	OMEGA CHANNEL SPLUS 2000	H.D.G.*	8431927045850	Each (2m)	u	53
	67030112	OMEGA CHANNEL SPLUS 3000	H.D.G.*	8431927045867	Each (3m)	u	53
	67030120	METAL FOOT 90	H.D.G.*	8431927046222	Pack of 10	u	17, 52, 53
	67030143	CLICK CENTRAL SUSPENSION M6	H.D.G.*	8431927016010	Pack of 20	u	15
	67030157	HEAVY DUTY CHANNEL 41X82.2.5	H.D.G.*	8431927045201	3 m	u	61
	67030158	SPRING CHANNEL NUT 41	H.D.G.*	8431927045218	Pack of 100	u	56, 68, 71
	67030164	CHANNEL FLOOR BOSS 41X82	H.D.G.*	8431927045232	Each	u	59
	67030201	2 HOLE ANGLE BRACKET	H.D.G.*	8431927009258	Each	u	31, 57
	67030202	4 HOLE ANGLE BRACKET	H.D.G.*	8431927009265	Each	u	57
	67030203	FLAT TEE JOINT	H.D.G.*	8431927009272	Each	u	58
	67030204	90° TEE JOINT	H.D.G.*	8431927009289	Each	u	31, 58
	67030205	SPLICE PLATE	H.D.G.*	8431927009296	Each	u	57
	67030206	CLAMP 21	H.D.G.*	8431927009302	Each	u	58
	67030207	CLAMP 41	H.D.G.*	8431927009319	Each	u	58
	67030208	CLAMP 82	H.D.G.*	8431927045249	Each	u	58
	67030209	45° INTERNAL ANGLE BRACKET	H.D.G.*	8431927045256	Each	u	57
	67030210	45° EXTERNAL ANGLE BRACKET	H.D.G.*	8431927045263	Each	u	57

Product Reference Index

Reference	Product	Finish	EAN Code	Pack Unit	Unit	Page	
	67030211	L BRACKET	H.D.G.*	8431927045270	Each	u	57
	67030212	3 WAY BRACKET	H.D.G.*	8431927045287	Each	u	58
	67030213	REINFORCED ANGLE BRACKET	H.D.G.*	8431927045294	Each	u	58
	67030214	U SHAPE SPLICE PLATE	H.D.G.*	8431927045300	Each	u	57
	67030215	DOUBLE 90° BRACKET	H.D.G.*	8431927045317	Each	u	59
	67030216	90° TEE BRACKET	H.D.G.*	8431927045324	Each	u	59
	67030243	CLICK CENTRAL SUSPENSION 11	H.D.G.*	8431927016027	Pack of 20	u	15
	67030520	STAND OFF BRACKET CLICK 100	H.D.G.*	8431927066206	Pack of 10	u	17, 52
	67030522	STAND OFF BRACKET CLICK 200	H.D.G.*	8431927066213	Pack of 10	u	17, 52
	67030524	STAND OFF BRACKET CLICK 300	H.D.G.*	8431927066220	Pack of 10	u	17, 52
	67030610	CLICK DIVIDER 25	H.D.G.*	8431927017055	Pack of 60	u	9, 28, 42
	67030611	CLICK DIVIDER 50	H.D.G.*	8431927017062	Pack of 48	u	9, 28, 42
	67030612	CLICK DIVIDER 80	H.D.G.*	8431927017079	Pack of 36	u	9, 28, 42
	67030644	HEAVY DUTY PENDANT BOSS	H.D.G.*	8431927044938	Each	u	54
	67030645	HEAVY DUTY PENDANT BOSS	P.G.	8431927009401	Each	u	54
	67030646	HEAVY DUTY PENDANT CHANNEL 500	H.D.G.*	8431927009418	Each	u	54
	67030647	HEAVY DUTY PENDANT CHANNEL 1000	H.D.G.*	8431927009425	Each	u	54
	67030660	HEAVY DUTY PENDANT DROP 41X41X2.5 500	H.D.G.*	8431927009432	Each	u	30, 54, 71
	67030661	HEAVY DUTY PENDANT DROP 41X41X2.5 1000	H.D.G.*	8431927009449	Each	u	30, 54, 71
	67030662	DOUBLE HEAVY DUTY PEND. DROP 41X41,2.5 500	H.D.G.*	8431927009456	Each	u	30, 54
	67030663	DOUBLE HEAVY DUTY PEND. DROP 41X41,2.5 1000	H.D.G.*	8431927009463	Each	u	30, 54
6705	67050520	STAND OF BRACKET 100	S.S. 304	8431927078537	Pack of 10	u	17, 52
	67050522	STAND OF BRACKET 200	S.S. 304	8431927078544	Pack of 10	u	17, 52
	67050524	STAND OF BRACKET 300	S.S. 304	8431927078551	Pack of 10	u	17, 52
6706	67060010	HEXAGONAL SET SCREW M10	S.S. 316	8431927044457	Pack of 100	u	60
	67060014	HEXAGONAL NUT M10	S.S. 316	8431927018809	Pack of 100	u	61
	67060043	CLICK CENTRAL SUSPENSION M8	S.S. 316	8431927016034	Pack of 20	u	15
	67060044	THREADED ROD M8X500	S.S. 316	8431927016089	Each	u	15, 52
	67060045	THREADED ROD M8X1000	S.S. 316	8431927016096	Each	u	15, 52
	67060046	CENTRAL HANGING PLATE M8/M10	S.S. 316	8431927014849	Pack of 20	u	15
	67060050	CHANNEL CLICK JOINT (STRUT CLIP)	S.S. 316	8431927046192	Pack of 100	u	14, 56
	67060053	SPLICE PLATE	S.S. 316	8431927018816	Pack of 10	u	10
	67060055	HEAVY DUTY CHANNEL 41X21	S.S. 316	8431927018823	3m	u	55
	67060056	PLAIN CHANNEL NUT M10	S.S. 316	8431927044464	Pack of 100	u	56
	67060057	HEAVY DUTY CHANNEL 41X41	S.S. 316	8431927018830	3m	u	55
	67060058	PLAIN CHANNEL NUT M10	S.S. 316	8431927018847	Pack of 100	u	56
	67060059	HEXAGONAL SET SCREW M10X20	S.S. 316	8431927044471	Pack of 100	u	60
	67060062	HEXAGONAL NUT M8	S.S. 316	8431927018854	Pack of 100	u	61
	67060063	WASHER M8	S.S. 316	8431927018861	Pack of 100	u	61
	67060064	WASHER M10	S.S. 316	8431927018878	Pack of 100	u	61
	67060065	HEXAGONAL SET SCREW M8X20	S.S. 316	8431927044488	Pack of 100	u	60
	67060066	HEXAGONAL SET SCREW M8X35	S.S. 316	8431927044495	Pack of 100	u	60
	67060077	HEXAGONAL SET SCREW M10X35	S.S. 316	8431927044501	Pack of 100	u	60
	67060086	SERRATED WASHER M10	S.S. 316	8431927044518	Pack of 100	u	61
	67060100	SHOULDER SCREW M6X20	S.S. 316	8431927018885	Pack of 100	u	60
	67060141	THREADED ROD M6X100	S.S. 316	8431927016119	Each	u	15, 52
	67060143	CLICK CENTRAL SUSPENSION M6	S.S. 316	8431927016041	Pack of 20	u	15
	67060145	THREADED ROD M10X1000	S.S. 316	8431927016102	Each	u	15, 52
	67060243	CLICK CENTRAL SUSPENSION M10	S.S. 316	8431927016058	Pack of 20	u	15
	67060520	STAND OFF BRACKET CLICK 100	S.S. 316	8431927066237	Pack of 10	u	15, 52
	67060522	STAND OFF BRACKET CLICK 200	S.S. 316	8431927066244	Pack of 10	u	15, 52
	67060524	STAND OFF BRACKET CLICK 300	S.S. 316	8431927066251	Pack of 10	u	15, 52
	67060610	CLICK DIVIDER 25	S.S. 316	8431927017086	Pack of 60	u	9
	67060611	CLICK DIVIDER 50	S.S. 316	8431927017093	Pack of 48	u	9
	67060612	CLICK DIVIDER 80	S.S. 316	8431927017109	Pack of 36	u	9
6800	68000010	REJIBAND FIXING SUPPORT	ABS	8431927015860	Pack of 20	u	12, 18
	68000020	IDENTIFICATION LABEL	Plastic	8431927017017	Pack of 50	u	13, 37
	68000032	REJIBAND EARTH TERMINAL	Brass	8431927016126	Pack of 20	u	10, 18
	68000033	REJIBAND EARTH TERMINAL 35-50	Brass	8431927051189	Pack of 20	u	10
	68000034	MEGABAND/PEMSABAND EARTH TERMINAL 16-50	Brass	8431927051196	Pack of 20	u	29, 43
	68000035	MEGABAND/PEMSABAND EARTH TERMINAL 50-110	Brass	8431927051202	Pack of 20	u	29, 43
	68000040	REJIBAND BOX SUPPORT	Plastic	8431927017529	Pack of 20	u	12
	68000049	WIRE END CAP	Plastic	8431927009647	Pack of 100	u	11
	68000052	ZINC PAINT SPRAY 400 ML		8431927009654	Each	u	11
	68000058	BOLT CROPPERS		8431927009661	Each	u	11
	68000060	FLOOR FOOT	Plastic	8431927009678	Pack of 100	u	17, 51
	68000066	ADHESIVE & HARDENER		8431927009685	Each	u	17
	68000074	CHANNEL END PLUG 41	Plastic	8431927045331	Pack of 100	u	56

Reference	Product	Finish	EAN Code	Pack Unit	Unit	Page	
68000075	CHANNEL END PLUG 21	Plastic	8431927045348	Pack of 100	u	56	
68000721	HORIZONTAL ANGLE HANGER 1,50/5	Passivated	8431927009692	Pack of 100	u	53	
68000722	HORIZONTAL ANGLE HANGER 4/10	Passivated	8431927009708	Pack of 100	u	53	
68000731	VERTICAL ANGLE HANGER 1,50/5	Passivated	8431927009715	Pack of 100	u	53	
68000732	VERTICAL ANGLE HANGER 4/10	Passivated	8431927009722	Pack of 100	u	53	
7002	70020110	90° Bend CLICK 35x100	P.G.	8431927037046	Each	u	38
	70020115	90° Bend CLICK 35x150	P.G.	8431927037053	Each	u	38
	70020120	90° Bend CLICK 35x200	P.G.	8431927037060	Each	u	38
	70020130	90° Bend CLICK 35x300	P.G.	8431927037077	Each	u	38
	70020210	90° Bend CLICK 60x100	P.G.	8431927037084	Each	u	38
	70020215	90° Bend CLICK 60x150	P.G.	8431927037091	Each	u	38
	70020220	90° Bend CLICK 60x200	P.G.	8431927037107	Each	u	38
	70020230	90° Bend CLICK 60x300	P.G.	8431927037114	Each	u	38
	70020240	90° Bend CLICK 60x400	P.G.	8431927037121	Each	u	38
	70020250	90° Bend CLICK 60x500	P.G.	8431927037138	Each	u	38
	70020260	90° Bend CLICK 60x600	P.G.	8431927037145	Each	u	38
	70020320	90° Bend CLICK 85x200	P.G.	8431927037152	Each	u	38
	70020330	90° Bend CLICK 85x300	P.G.	8431927037169	Each	u	38
	70020340	90° Bend CLICK 85x400	P.G.	8431927037176	Each	u	38
	70020350	90° Bend CLICK 85x500	P.G.	8431927037183	Each	u	38
	70020360	90° Bend CLICK 85x600	P.G.	8431927037190	Each	u	38
	70020410	90° Bend CLICK 100x100	P.G.	On Request	Each	u	38
	70020420	90° Bend CLICK 100x200	P.G.	8431927045904	Each	u	38
	70020430	90° Bend CLICK 100x300	P.G.	8431927045911	Each	u	38
	70020440	90° Bend CLICK 100x400	P.G.	8431927045928	Each	u	38
	70020450	90° Bend CLICK 100x500	P.G.	8431927045935	Each	u	38
	70020460	90° Bend CLICK 100x600	P.G.	8431927045942	Each	u	38
	70021100	Universal Corner 35	P.G.	8431927046109	Each	u	41
	70021200	Universal Corner 60	P.G.	8431927046116	Each	u	41
	70021300	Universal Corner 85	P.G.	8431927046123	Each	u	41
	70021400	Universal Corner 100	P.G.	8431927046130	Each	u	41
	70022110	Tee CLICK 35x100	P.G.	8431927037206	Each	u	38
	70022115	Tee CLICK 35x150	P.G.	8431927037213	Each	u	38
	70022120	Tee CLICK 35x200	P.G.	8431927037220	Each	u	38
	70022130	Tee CLICK 35x300	P.G.	8431927037237	Each	u	38
	70022210	Tee CLICK 60x100	P.G.	8431927037244	Each	u	38
	70022215	Tee CLICK 60x150	P.G.	8431927037251	Each	u	38
	70022220	Tee CLICK 60x200	P.G.	8431927037268	Each	u	38
	70022230	Tee CLICK 60x300	P.G.	8431927037275	Each	u	38
	70022240	Tee CLICK 60x400	P.G.	8431927037282	Each	u	38
	70022250	Tee CLICK 60x500	P.G.	8431927037299	Each	u	38
	70022260	Tee CLICK 60x600	P.G.	8431927037305	Each	u	38
	70022320	Tee CLICK 85x200	P.G.	8431927037312	Each	u	38
	70022330	Tee CLICK 85x300	P.G.	8431927037329	Each	u	38
	70022340	Tee CLICK 85x400	P.G.	8431927037336	Each	u	38
	70022350	Tee CLICK 85x500	P.G.	8431927037343	Each	u	38
	70022360	Tee CLICK 85x600	P.G.	8431927037350	Each	u	38
	70022410	Tee CLICK 100x100	P.G.	On Request	Each	u	38
	70022420	Tee CLICK 100x200	P.G.	8431927051219	Each	u	38
	70022430	Tee CLICK 100x300	P.G.	8431927051226	Each	u	38
	70022440	Tee CLICK 100x400	P.G.	8431927051233	Each	u	38
	70022450	Tee CLICK 100x500	P.G.	8431927051240	Each	u	38
	70022460	Tee CLICK 100x600	P.G.	8431927051257	Each	u	38
	70023110	Side Entry CLICK 35x100	P.G.	8431927037367	Each	u	39
	70023115	Side Entry CLICK 35x150	P.G.	8431927037374	Each	u	39
	70023120	Side Entry CLICK 35x200	P.G.	8431927037381	Each	u	39
	70023130	Side Entry CLICK 35x300	P.G.	8431927037398	Each	u	39
	70023206	Inducanal Side Entry Cover CLICK	P.G.	8431927044976	Each	u	39
	70023210	Side Entry CLICK 60x100	P.G.	8431927037404	Each	u	39
	70023215	Side Entry CLICK 60x150	P.G.	8431927037411	Each	u	39
	70023220	Side Entry CLICK 60x200	P.G.	8431927037428	Each	u	39
	70023230	Side Entry CLICK 60x300	P.G.	8431927037435	Each	u	39
	70023240	Side Entry CLICK 60x400	P.G.	8431927037442	Each	u	39
	70023250	Side Entry CLICK 60x500	P.G.	8431927037459	Each	u	39
	70023260	Side Entry CLICK 60x600	P.G.	8431927037466	Each	u	39
	70023320	Side Entry CLICK 85x200	P.G.	8431927037473	Each	u	39
	70023330	Side Entry CLICK 85x300	P.G.	8431927037480	Each	u	39
	70023340	Side Entry CLICK 85x400	P.G.	8431927037497	Each	u	39

Product Reference Index

Reference	Product	Finish	EAN Code	Pack Unit	Unit	Page
70023350	Side Entry CLICK 85x500	P.G.	8431927037503	Each	u	39
70023360	Side Entry CLICK 85x600	P.G.	8431927037510	Each	u	39
70023410	Side Entry CLICK 100x100	P.G.	On Request	Each	u	39
70023420	Side Entry CLICK 100x200	P.G.	8431927045959	Each	u	39
70023430	Side Entry CLICK 100x300	P.G.	8431927045966	Each	u	39
70023440	Side Entry CLICK 100x400	P.G.	8431927045973	Each	u	39
70023450	Side Entry CLICK 100x500	P.G.	8431927045980	Each	u	39
70023460	Side Entry CLICK 100x600	P.G.	8431927045997	Each	u	39
70024110	Crossover CLICK 35x100	P.G.	8431927037527	Each	u	39
70024115	Crossover CLICK 35x150	P.G.	8431927037534	Each	u	39
70024120	Crossover CLICK 35x200	P.G.	8431927037541	Each	u	39
70024130	Crossover CLICK 35x300	P.G.	8431927037558	Each	u	39
70024210	Crossover CLICK 60x100	P.G.	8431927037565	Each	u	39
70024215	Crossover CLICK 60x150	P.G.	8431927037572	Each	u	39
70024220	Crossover CLICK 60x200	P.G.	8431927037589	Each	u	39
70024230	Crossover CLICK 60x300	P.G.	8431927037596	Each	u	39
70024240	Crossover CLICK 60x400	P.G.	8431927037602	Each	u	39
70024250	Crossover CLICK 60x500	P.G.	8431927037619	Each	u	39
70024260	Crossover CLICK 60x600	P.G.	8431927037626	Each	u	39
70024320	Crossover CLICK 85x200	P.G.	8431927037633	Each	u	39
70024330	Crossover CLICK 85x300	P.G.	8431927037640	Each	u	39
70024340	Crossover CLICK 85x400	P.G.	8431927037657	Each	u	39
70024350	Crossover CLICK 85x500	P.G.	8431927037664	Each	u	39
70024360	Crossover CLICK 85x600	P.G.	8431927037671	Each	u	39
70024410	Crossover CLICK 100x100	P.G.	On Request	Each	u	39
70024420	Crossover CLICK 100x200	P.G.	8431927051264	Each	u	39
70024430	Crossover CLICK 100x300	P.G.	8431927051271	Each	u	39
70024440	Crossover CLICK 100x400	P.G.	8431927051288	Each	u	39
70024450	Crossover CLICK 100x500	P.G.	8431927051295	Each	u	39
70024460	Crossover CLICK 100x600	P.G.	8431927051301	Each	u	39
70025110	Inside Riser CLICK 35x100	P.G.	8431927037688	Each	u	40
70025115	Inside Riser CLICK 35x150	P.G.	8431927037695	Each	u	40
70025120	Inside Riser CLICK 35x200	P.G.	8431927037701	Each	u	40
70025130	Inside Riser CLICK 35x300	P.G.	8431927037718	Each	u	40
70025206	INDUCANAL Inside Riser CLICK	P.G.	8431927044983	Each	u	40
70025210	Inside Riser CLICK 60x100	P.G.	8431927037725	Each	u	40
70025215	Inside Riser CLICK 60x150	P.G.	8431927037732	Each	u	40
70025220	Inside Riser CLICK 60x200	P.G.	8431927037749	Each	u	40
70025230	Inside Riser CLICK 60x300	P.G.	8431927037756	Each	u	40
70025240	Inside Riser CLICK 60x400	P.G.	8431927037763	Each	u	40
70025250	Inside Riser CLICK 60x500	P.G.	8431927037770	Each	u	40
70025260	Inside Riser CLICK 60x600	P.G.	8431927037787	Each	u	40
70025320	Inside Riser CLICK 85x200	P.G.	8431927037794	Each	u	40
70025330	Inside Riser CLICK 85x300	P.G.	8431927037800	Each	u	40
70025340	Inside Riser CLICK 85x400	P.G.	8431927037817	Each	u	40
70025350	Inside Riser CLICK 85x500	P.G.	8431927037824	Each	u	40
70025360	Inside Riser CLICK 85x600	P.G.	8431927037831	Each	u	40
70025410	Inside Riser CLICK 100x100	P.G.	On Request	Each	u	40
70025420	Inside Riser CLICK 100x200	P.G.	8431927051318	Each	u	40
70025430	Inside Riser CLICK 100x300	P.G.	8431927051325	Each	u	40
70025440	Inside Riser CLICK 100x400	P.G.	8431927051332	Each	u	40
70025450	Inside Riser CLICK 100x500	P.G.	8431927051349	Each	u	40
70025460	Inside Riser CLICK 100x600	P.G.	8431927051356	Each	u	40
70026110	Outside Riser CLICK 35x100	P.G.	8431927037848	Each	u	40
70026115	Outside Riser CLICK 35x150	P.G.	8431927037855	Each	u	40
70026120	Outside Riser CLICK 35x200	P.G.	8431927037862	Each	u	40
70026130	Outside Riser CLICK 35x300	P.G.	8431927037879	Each	u	40
70026206	INDUCANAL Outside Riser CLICK	P.G.	8431927044990		u	40
70026210	Outside Riser CLICK 60x100	P.G.	8431927037886	Each	u	40
70026215	Outside Riser CLICK 60x150	P.G.	8431927037893	Each	u	40
70026220	Outside Riser CLICK 60x200	P.G.	8431927037909	Each	u	40
70026230	Outside Riser CLICK 60x300	P.G.	8431927037916	Each	u	40
70026240	Outside Riser CLICK 60x400	P.G.	8431927037923	Each	u	40
70026250	Outside Riser CLICK 60x500	P.G.	8431927037930	Each	u	40
70026260	Outside Riser CLICK 60x600	P.G.	8431927037947	Each	u	40
70026320	Outside Riser CLICK 85x200	P.G.	8431927037954	Each	u	40
70026330	Outside Riser CLICK 85x300	P.G.	8431927037961	Each	u	40
70026340	Outside Riser CLICK 85x400	P.G.	8431927037978	Each	u	40

Reference	Product	Finish	EAN Code	Pack Unit	Unit	Page	
70026350	Outside Riser CLICK 85x500	P.G.	8431927037985	Each	u	40	
70026360	Outside Riser CLICK 85x600	P.G.	8431927037992	Each	u	40	
70026410	Outside Riser CLICK 100x100	P.G.	On Request	Each	u	40	
70026420	Outside Riser CLICK 100x200	P.G.	8431927051363	Each	u	40	
70026430	Outside Riser CLICK 100x300	P.G.	8431927051370	Each	u	40	
70026440	Outside Riser CLICK 100x400	P.G.	8431927051387	Each	u	40	
70026450	Outside Riser CLICK 100x500	P.G.	8431927051394	Each	u	40	
70026460	Outside Riser CLICK 100x600	P.G.	8431927051400	Each	u	40	
70027100	Base Entry Rejiband/Pemsaband 100	P.G.	8431927044259	Each	u	44	
70027150	Base Entry Rejiband/Pemsaband 150	P.G.	8431927044266	Each	u	44	
70028110	Adjustable Bend CLICK 35x100 PG	P.G.	8431927043832	Each	u	41	
70028115	Adjustable Bend CLICK 35x150 PG	P.G.	8431927043849	Each	u	41	
70028120	Adjustable Bend CLICK 35x200 PG	P.G.	8431927043856	Each	u	41	
70028130	Adjustable Bend CLICK 35x300 PG	P.G.	8431927043863	Each	u	41	
70028210	Adjustable Bend CLICK 60x100 PG	P.G.	8431927043870	Each	u	41	
70028215	Adjustable Bend CLICK 60x150 PG	P.G.	8431927043887	Each	u	41	
70028220	Adjustable Bend CLICK 60x200 PG	P.G.	8431927043894	Each	u	41	
70028230	Adjustable Bend CLICK 60x300 PG	P.G.	8431927043900	Each	u	41	
7003	70030110	90° Bend CLICK 35x100	H.D.G.*	8431927038005	Each	u	38
	70030115	90° Bend CLICK 35x150	H.D.G.*	8431927038012	Each	u	38
	70030120	90° Bend CLICK 35x200	H.D.G.*	8431927038029	Each	u	38
	70030130	90° Bend CLICK 35x300	H.D.G.*	8431927038036	Each	u	38
	70030210	90° Bend CLICK 60x100	H.D.G.*	8431927038043	Each	u	38
	70030215	90° Bend CLICK 60x150	H.D.G.*	8431927038050	Each	u	38
	70030220	90° Bend CLICK 60x200	H.D.G.*	8431927038067	Each	u	38
	70030230	90° Bend CLICK 60x300	H.D.G.*	8431927038074	Each	u	38
	70030240	90° Bend CLICK 60x400	H.D.G.*	8431927038081	Each	u	38
	70030250	90° Bend CLICK 60x500	H.D.G.*	8431927038098	Each	u	38
	70030260	90° Bend CLICK 60x600	H.D.G.*	8431927038104	Each	u	38
	70030320	90° Bend CLICK 85x200	H.D.G.*	8431927038111	Each	u	38
	70030330	90° Bend CLICK 85x300	H.D.G.*	8431927038128	Each	u	38
	70030340	90° Bend CLICK 85x400	H.D.G.*	8431927038135	Each	u	38
	70030350	90° Bend CLICK 85x500	H.D.G.*	8431927038142	Each	u	38
	70030360	90° Bend CLICK 85x600	H.D.G.*	8431927038159	Each	u	38
	70030410	90° Bend CLICK 100x100	H.D.G.*	On Request	Each	u	38
	70030420	90° Bend CLICK 100x200	H.D.G.*	8431927046000	Each	u	38
	70030430	90° Bend CLICK 100x300	H.D.G.*	8431927046017	Each	u	38
	70030440	90° Bend CLICK 100x400	H.D.G.*	8431927046024	Each	u	38
	70030450	90° Bend CLICK 100x500	H.D.G.*	8431927046031	Each	u	38
	70030460	90° Bend CLICK 100x600	H.D.G.*	8431927046048	Each	u	38
	70031100	Universal Corner 35	H.D.G.*	8431927046147	Each	u	41
	70031200	Universal Corner 60	H.D.G.*	8431927046154	Each	u	41
	70031300	Universal Corner 85	H.D.G.*	8431927046161	Each	u	41
	70031400	Universal Corner 100	H.D.G.*	8431927046178	Each	u	41
	70032110	Tee CLICK 35x100	H.D.G.*	8431927038166	Each	u	38
	70032115	Tee CLICK 35x150	H.D.G.*	8431927038173	Each	u	38
	70032120	Tee CLICK 35x200	H.D.G.*	8431927038180	Each	u	38
	70032130	Tee CLICK 35x300	H.D.G.*	8431927038197	Each	u	38
	70032210	Tee CLICK 60x100	H.D.G.*	8431927038203	Each	u	38
	70032215	Tee CLICK 60x150	H.D.G.*	8431927038210	Each	u	38
	70032220	Tee CLICK 60x200	H.D.G.*	8431927038227	Each	u	38
	70032230	Tee CLICK 60x300	H.D.G.*	8431927038234	Each	u	38
	70032240	Tee CLICK 60x400	H.D.G.*	8431927038241	Each	u	38
	70032250	Tee CLICK 60x500	H.D.G.*	8431927038258	Each	u	38
	70032260	Tee CLICK 60x600	H.D.G.*	8431927038265	Each	u	38
	70032320	Tee CLICK 85x200	H.D.G.*	8431927038272	Each	u	38
	70032330	Tee CLICK 85x300	H.D.G.*	8431927038289	Each	u	38
	70032340	Tee CLICK 85x400	H.D.G.*	8431927038296	Each	u	38
	70032350	Tee CLICK 85x500	H.D.G.*	8431927038302	Each	u	38
	70032360	Tee CLICK 85x600	H.D.G.*	8431927038319	Each	u	38
	70032410	Tee CLICK 100x100	H.D.G.*	8431927083135	Each	u	38
	70032420	Tee CLICK 100x200	H.D.G.*	8431927051417	Each	u	38
	70032430	Tee CLICK 100x300	H.D.G.*	8431927051424	Each	u	38
	70032440	Tee CLICK 100x400	H.D.G.*	8431927051431	Each	u	38
	70032450	Tee CLICK 100x500	H.D.G.*	8431927051448	Each	u	38
	70032460	Tee CLICK 100x600	H.D.G.*	8431927051455	Each	u	38
	70033110	Side Entry CLICK 35x100	H.D.G.*	8431927038326	Each	u	39
	70033115	Side Entry CLICK 35x150	H.D.G.*	8431927038333	Each	u	39

Product Reference Index

Reference	Product	Finish	EAN Code	Pack Unit	Unit	Page
70033120	Side Entry CLICK 35x200	H.D.G.*	8431927038340	Each	u	39
70033130	Side Entry CLICK 35x300	H.D.G.*	8431927038357	Each	u	39
70033210	Side Entry CLICK 60x100	H.D.G.*	8431927038364	Each	u	39
70033215	Side Entry CLICK 60x150	H.D.G.*	8431927038371	Each	u	39
70033220	Side Entry CLICK 60x200	H.D.G.*	8431927038388	Each	u	39
70033230	Side Entry CLICK 60x300	H.D.G.*	8431927038395	Each	u	39
70033240	Side Entry CLICK 60x400	H.D.G.*	8431927038401	Each	u	39
70033250	Side Entry CLICK 60x500	H.D.G.*	8431927038418	Each	u	39
70033260	Side Entry CLICK 60x600	H.D.G.*	8431927038425	Each	u	39
70033320	Side Entry CLICK 85x200	H.D.G.*	8431927038432	Each	u	39
70033330	Side Entry CLICK 85x300	H.D.G.*	8431927038449	Each	u	39
70033340	Side Entry CLICK 85x400	H.D.G.*	8431927038456	Each	u	39
70033350	Side Entry CLICK 85x500	H.D.G.*	8431927038463	Each	u	39
70033360	Side Entry CLICK 85x600	H.D.G.*	8431927038470	Each	u	39
70033410	Side Entry CLICK 100x100	H.D.G.*	On Request	Each	u	39
70033420	Side Entry CLICK 100x200	H.D.G.*	8431927046055	Each	u	39
70033430	Side Entry CLICK 100x300	H.D.G.*	8431927046062	Each	u	39
70033440	Side Entry CLICK 100x400	H.D.G.*	8431927046079	Each	u	39
70033450	Side Entry CLICK 100x500	H.D.G.*	8431927046086	Each	u	39
70033460	Side Entry CLICK 100x600	H.D.G.*	8431927046093	Each	u	39
70034110	Crossover CLICK 35x100	H.D.G.*	8431927038487	Each	u	39
70034115	Crossover CLICK 35x150	H.D.G.*	8431927038494	Each	u	39
70034120	Crossover CLICK 35x200	H.D.G.*	8431927038500	Each	u	39
70034130	Crossover CLICK 35x300	H.D.G.*	8431927038517	Each	u	39
70034210	Crossover CLICK 60x100	H.D.G.*	8431927038524	Each	u	39
70034215	Crossover CLICK 60x150	H.D.G.*	8431927038531	Each	u	39
70034220	Crossover CLICK 60x200	H.D.G.*	8431927038548	Each	u	39
70034230	Crossover CLICK 60x300	H.D.G.*	8431927038555	Each	u	39
70034240	Crossover CLICK 60x400	H.D.G.*	8431927038562	Each	u	39
70034250	Crossover CLICK 60x500	H.D.G.*	8431927038579	Each	u	39
70034260	Crossover CLICK 60x600	H.D.G.*	8431927038586	Each	u	39
70034320	Crossover CLICK 85x200	H.D.G.*	8431927038593	Each	u	39
70034330	Crossover CLICK 85x300	H.D.G.*	8431927038609	Each	u	39
70034340	Crossover CLICK 85x400	H.D.G.*	8431927038616	Each	u	39
70034350	Crossover CLICK 85x500	H.D.G.*	8431927038623	Each	u	39
70034360	Crossover CLICK 85x600	H.D.G.*	8431927038630	Each	u	39
70034410	Crossover CLICK 100x100	H.D.G.*	8431927085290	Each	u	39
70034420	Crossover CLICK 100x200	H.D.G.*	8431927051462	Each	u	39
70034430	Crossover CLICK 100x300	H.D.G.*	8431927051479	Each	u	39
70034440	Crossover CLICK 100x400	H.D.G.*	8431927051486	Each	u	39
70034450	Crossover CLICK 100x500	H.D.G.*	8431927051493	Each	u	39
70034460	Crossover CLICK 100x600	H.D.G.*	8431927051509	Each	u	39
70035110	Inside Riser CLICK 35x100	H.D.G.*	8431927038647	Each	u	40
70035115	Inside Riser CLICK 35x150	H.D.G.*	8431927038654	Each	u	40
70035120	Inside Riser CLICK 35x200	H.D.G.*	8431927038661	Each	u	40
70035130	Inside Riser CLICK 35x300	H.D.G.*	8431927038678	Each	u	40
70035210	Inside Riser CLICK 60x100	H.D.G.*	8431927038685	Each	u	40
70035215	Inside Riser CLICK 60x150	H.D.G.*	8431927038692	Each	u	40
70035220	Inside Riser CLICK 60x200	H.D.G.*	8431927038708	Each	u	40
70035230	Inside Riser CLICK 60x300	H.D.G.*	8431927038715	Each	u	40
70035240	Inside Riser CLICK 60x400	H.D.G.*	8431927038722	Each	u	40
70035250	Inside Riser CLICK 60x500	H.D.G.*	8431927038739	Each	u	40
70035260	Inside Riser CLICK 60x600	H.D.G.*	8431927038746	Each	u	40
70035320	Inside Riser CLICK 85x200	H.D.G.*	8431927038753	Each	u	40
70035330	Inside Riser CLICK 85x300	H.D.G.*	8431927038760	Each	u	40
70035340	Inside Riser CLICK 85x400	H.D.G.*	8431927038777	Each	u	40
70035350	Inside Riser CLICK 85x500	H.D.G.*	8431927038784	Each	u	40
70035360	Inside Riser CLICK 85x600	H.D.G.*	8431927038791	Each	u	40
70035410	Inside Riser CLICK 100x100	H.D.G.*	8431927083142	Each	u	40
70035420	Inside Riser CLICK 100x200	H.D.G.*	8431927051516	Each	u	40
70035430	Inside Riser CLICK 100x300	H.D.G.*	8431927051523	Each	u	40
70035440	Inside Riser CLICK 100x400	H.D.G.*	8431927051530	Each	u	40
70035450	Inside Riser CLICK 100x500	H.D.G.*	8431927051547	Each	u	40
70035460	Inside Riser CLICK 100x600	H.D.G.*	8431927051554	Each	u	40
70036110	Outside Riser CLICK 35x100	H.D.G.*	8431927038807	Each	u	40
70036115	Outside Riser CLICK 35x150	H.D.G.*	8431927038814	Each	u	40
70036120	Outside Riser CLICK 35x200	H.D.G.*	8431927038821	Each	u	40
70036130	Outside Riser CLICK 35x300	H.D.G.*	8431927038838	Each	u	40

Reference	Product	Finish	EAN Code	Pack Unit	Unit	Page
70036210	Outside Riser CLICK 60x100	H.D.G.*	8431927038845	Each	u	40
70036215	Outside Riser CLICK 60x150	H.D.G.*	8431927038852	Each	u	40
70036220	Outside Riser CLICK 60x200	H.D.G.*	8431927038869	Each	u	40
70036230	Outside Riser CLICK 60x300	H.D.G.*	8431927038876	Each	u	40
70036240	Outside Riser CLICK 60x400	H.D.G.*	8431927038883	Each	u	40
70036250	Outside Riser CLICK 60x500	H.D.G.*	8431927038890	Each	u	40
70036260	Outside Riser CLICK 60x600	H.D.G.*	8431927038906	Each	u	40
70036320	Outside Riser CLICK 85x200	H.D.G.*	8431927038913	Each	u	40
70036330	Outside Riser CLICK 85x300	H.D.G.*	8431927038920	Each	u	40
70036340	Outside Riser CLICK 85x400	H.D.G.*	8431927038937	Each	u	40
70036350	Outside Riser CLICK 85x500	H.D.G.*	8431927038944	Each	u	40
70036360	Outside Riser CLICK 85x600	H.D.G.*	8431927038951	Each	u	40
70036410	Outside Riser CLICK 100x100	H.D.G.*	8431927083159	Each	u	40
70036420	Outside Riser CLICK 100x200	H.D.G.*	8431927051561	Each	u	40
70036430	Outside Riser CLICK 100x300	H.D.G.*	8431927051578	Each	u	40
70036440	Outside Riser CLICK 100x400	H.D.G.*	8431927051585	Each	u	40
70036450	Outside Riser CLICK 100x500	H.D.G.*	8431927051592	Each	u	40
70036460	Outside Riser CLICK 100x600	H.D.G.*	8431927051608	Each	u	40
70037100	Base Entry Rejiband/Pemsaband 100	H.D.G.*	8431927044273	Each	u	44
70037150	Base Entry Rejiband/Pemsaband 150	H.D.G.*	8431927044280	Each	u	44
70038110	Adjustable Bend 35x100	H.D.G.*	8431927043917	Each	u	41
70038115	Adjustable Bend 35x150	H.D.G.*	8431927043924	Each	u	41
70038120	Adjustable Bend 35x200	H.D.G.*	8431927043931	Each	u	41
70038130	Adjustable Bend 35x300	H.D.G.*	8431927043948	Each	u	41
70038210	Adjustable Bend 60x100	H.D.G.*	8431927043955	Each	u	41
70038215	Adjustable Bend 60x150	H.D.G.*	8431927043962	Each	u	41
70038220	Adjustable Bend 60x200	H.D.G.*	8431927043979	Each	u	41
70038230	Adjustable Bend 60x300	H.D.G.*	8431927043986	Each	u	41
70039110	End Cover 35x100	H.D.G.*	8431927044174	Each	u	41
70039115	End Cover 35x150	H.D.G.*	8431927044181	Each	u	41
70039120	End Cover 35x200	H.D.G.*	8431927044198	Each	u	41
70039130	End Cover 35x300	H.D.G.*	8431927044204	Each	u	41
70039210	End Cover 60x100	H.D.G.*	8431927044211	Each	u	41
70039215	End Cover 60x150	H.D.G.*	8431927044228	Each	u	41
70039220	End Cover 60x200	H.D.G.*	8431927044235	Each	u	41
70039230	End Cover 60x300	H.D.G.*	8431927044242	Each	u	41
70039240	End Cover 60x400	H.D.G.*	8431927049476	Each	u	41
70039245	End Cover 60x450	H.D.G.*	8431927050700	Each	u	41
70039250	End Cover 60x500	H.D.G.*	8431927049483	Each	u	41
70039260	End Cover 60x600	H.D.G.*	8431927049490	Each	u	41
70039310	End Cover 85x100	H.D.G.*	8431927049506	Each	u	41
70039320	End Cover 85x200	H.D.G.*	8431927049513	Each	u	41
70039330	End Cover 85x300	H.D.G.*	8431927049520	Each	u	41
70039340	End Cover 85x400	H.D.G.*	8431927049537	Each	u	41
70039350	End Cover 85x500	H.D.G.*	8431927049544	Each	u	41
70039360	End Cover 85x600	H.D.G.*	8431927049551	Each	u	41
70039410	End Cover 100x100	H.D.G.*	8431927049568	Each	u	41
70039415	End Cover 100x150	H.D.G.*	8431927050717	Each	u	41
70039420	End Cover 100x200	H.D.G.*	8431927049575	Each	u	41
70039430	End Cover 100x300	H.D.G.*	8431927049582	Each	u	41
70039440	End Cover 100x400	H.D.G.*	8431927049599	Each	u	41
70039445	End Cover 100x450	H.D.G.*	8431927050724	Each	u	41
70039450	End Cover 100x500	H.D.G.*	8431927049605	Each	u	41
70039460	End Cover 100x600	H.D.G.*	8431927049612	Each	u	41
70039475	End Cover 100x750	H.D.G.*	On Request	Each	u	41
70039490	End Cover 100x900	H.D.G.*	On Request	Each	u	41
70039510	End Cover 120x100	H.D.G.*	On Request	Each	u	41
70039515	End Cover 120x150	H.D.G.*	On Request	Each	u	41
70039520	End Cover 120x200	H.D.G.*	On Request	Each	u	41
70039530	End Cover 120x300	H.D.G.*	On Request	Each	u	41
70039540	End Cover 120x400	H.D.G.*	On Request	Each	u	41
70039545	End Cover 120x450	H.D.G.*	On Request	Each	u	41
70039550	End Cover 120x500	H.D.G.*	On Request	Each	u	41
70039560	End Cover 120x600	H.D.G.*	On Request	Each	u	41
70039575	End Cover 120x750	H.D.G.*	On Request	Each	u	41
70039590	End Cover 120x900	H.D.G.*	On Request	Each	u	41
7012	70120200 Rejiband Pemsaband Coupler	P.G.	8431927045881	Each	u	44
7013	70130200 Rejiband Pemsaband Coupler	H.D.G.*	8431927045898	Each	u	44

Product Reference Index

Reference	Product	Finish	EAN Code	Pack Unit	Unit	Page	
7042	70420911	Universal Bracket	P.G.	8431927009739	10	u	43
7043	70430911	Universal Bracket	H.D.G.*	8431927009746	10	u	43
7100	71000000	Protector	Plastic	8431927009753	25	m	44
7102	71020300	Central Joiner 300 .	P.G.	8431927009760	10	u	42
	71020400	Central Joiner 400 .	P.G.	8431927009777	10	u	42
	71020500	Central Joiner 500 .	P.G.	8431927009784	10	u	42
	71020600	Central Joiner 600 .	P.G.	8431927009791	10	u	42
	71021005	Coupler 35	P.G.	8431927009814	50	u	42
	71021006	Riser/Dropper 35	P.G.	8431927009821	4	u	42
	71021010	Reducer/End Cover 35x100	P.G.	8431927044013	Each	u	41
	71021015	Reducer/End Cover 35x150	P.G.	8431927044020	Each	u	41
	71021020	Reducer/End Cover 35x200	P.G.	8431927044037	Each	u	41
	71021030	Reducer/End Cover 35x300	P.G.	8431927044044	Each	u	41
	71022005	Coupler 60	P.G.	8431927010056	50	u	42
	71022006	Riser/Dropper 60	P.G.	8431927010063	4	u	42
	71022010	Reducer/End Cover 60x100	P.G.	8431927044051	Each	u	41
	71022015	Reducer/End Cover 60x150	P.G.	8431927044068	Each	u	41
	71022020	Reducer/End Cover 60x200	P.G.	8431927044075	Each	u	41
	71022030	Reducer/End Cover 60x300	P.G.	8431927044082	Each	u	41
	71022040	Reducer/End Cover 60x400	P.G.	On Request	Each	u	41
	71022050	Reducer/End Cover 60x500	P.G.	On Request	Each	u	41
	71022060	Reducer/End Cover 60x600	P.G.	On Request	Each	u	41
	71023005	Coupler 85/100	P.G.	8431927013019	25	u	42
	71023020	Reducer/End Cover 85x200	P.G.	On Request	Each	u	41
	71023030	Reducer/End Cover 85x300	P.G.	On Request	Each	u	41
	71023040	Reducer/End Cover 85x400	P.G.	On Request	Each	u	41
	71023050	Reducer/End Cover 85x500	P.G.	On Request	Each	u	41
	71023060	Reducer/End Cover 85x600	P.G.	On Request	Each	u	41
	71024020	Reducer/End Cover 100x200	P.G.	On Request	Each	u	41
	71024030	Reducer/End Cover 100x300	P.G.	On Request	Each	u	41
	71024040	Reducer/End Cover 100x400	P.G.	On Request	Each	u	41
	71024050	Reducer/End Cover 100x500	P.G.	On Request	Each	u	41
	71024060	Reducer/End Cover 100x600	P.G.	On Request	Each	u	41
	71025010	Reducer/End Cover 120x100	P.G.	On Request	Each	u	41
	71025015	Reducer/End Cover 120x150	P.G.	On Request	Each	u	41
	71025020	Reducer/End Cover 120x200	P.G.	On Request	Each	u	41
	71025030	Reducer/End Cover 120x300	P.G.	On Request	Each	u	41
	71025040	Reducer/End Cover 120x400	P.G.	On Request	Each	u	41
	71025045	Reducer/End Cover 120x450	P.G.	On Request	Each	u	41
	71025050	Reducer/End Cover 120x500	P.G.	On Request	Each	u	41
	71025060	Reducer/End Cover 120x600	P.G.	On Request	Each	u	41
7103	71030300	Central Joiner 300	H.D.G.*	8431927010414	10	u	42
	71030400	Central Joiner 400	H.D.G.*	8431927010421	10	u	42
	71030500	Central Joiner 500	H.D.G.*	8431927010438	10	u	42
	71030600	Central Joiner 600	H.D.G.*	8431927010445	10	u	42
	71031005	Coupler 35	H.D.G.*	8431927010469	50	u	42
	71031006	Riser/Dropper 35	H.D.G.*	8431927010476	4	u	42
	71031010	Reducer 35x100	H.D.G.*	8431927044099	Each	u	42
	71031015	Reducer 35x150	H.D.G.*	8431927044105	Each	u	42
	71031020	Reducer 35x200	H.D.G.*	8431927044112	Each	u	42
	71031030	Reducer 35x300	H.D.G.*	8431927044129	Each	u	42
	71032005	Coupler 60	H.D.G.*	8431927010704	50	u	42
	71032006	Riser/Dropper 60	H.D.G.*	8431927010711	4	u	42
	71032010	Reducer 60x100	H.D.G.*	8431927044136	Each	u	41
	71032015	Reducer 60x150	H.D.G.*	8431927044143	Each	u	41
	71032020	Reducer 60x200	H.D.G.*	8431927044150	Each	u	41
	71032030	Reducer 60x300	H.D.G.*	8431927044167	Each	u	41
	71032040	Reducer 60x400	H.D.G.*	8431927049759	Each	u	41
	71032045	Reducer 60x450	H.D.G.*	8431927050731	Each	u	41
	71032050	Reducer 60x500	H.D.G.*	8431927049766	Each	u	41
	71032060	Reducer 60x600	H.D.G.*	8431927049773	Each	u	41
	71033005	Coupler 85/100	H.D.G.*	8431927013026	25	u	42
	71033010	Reducer 85x100	H.D.G.*	8431927049780	Each	u	41
	71033020	Reducer 85x200	H.D.G.*	8431927049797	Each	u	41
	71033030	Reducer 85x300	H.D.G.*	8431927049803	Each	u	41
	71033040	Reducer 85x400	H.D.G.*	8431927049810	Each	u	41

Reference	Product	Finish	EAN Code	Pack Unit	Unit	Page	
	71033050	Reducer 85x500	H.D.G.*	8431927049827	Each	u	41
	71033060	Reducer 85x600	H.D.G.*	8431927049834	Each	u	41
	71034010	Reducer 100x100	H.D.G.*	8431927049841	Each	u	41
	71034015	Reducer 100x150	H.D.G.*	8431927050748	Each	u	41
	71034020	Reducer 100x200	H.D.G.*	8431927049858	Each	u	41
	71034030	Reducer 100x300	H.D.G.*	8431927049865	Each	u	41
	71034040	Reducer 100x400	H.D.G.*	8431927049872	Each	u	41
	71034045	Reducer 100x450	H.D.G.*	8431927050755	Each	u	41
	71034050	Reducer 100x500	H.D.G.*	8431927049889	Each	u	41
	71034060	Reducer 100x600	H.D.G.*	8431927049896	Each	u	41
	71035010	Reducer 120x100	H.D.G.*	On Request	Each	u	41
	71035015	Reducer 120x150	H.D.G.*	On Request	Each	u	41
	71035020	Reducer 120x200	H.D.G.*	On Request	Each	u	41
	71035030	Reducer 120x300	H.D.G.*	On Request	Each	u	41
	71035040	Reducer 120x400	H.D.G.*	On Request	Each	u	41
	71035045	Reducer 120x450	H.D.G.*	On Request	Each	u	41
	71035050	Reducer 120x500	H.D.G.*	On Request	Each	u	41
	71035060	Reducer 120x600	H.D.G.*	On Request	Each	u	41
7302	73020060	Inducanal 90° Bend Cover CLICK	P.G.	8431927011060	Each	u	38
	73020100	90° Bend Cover CLICK 100	P.G.	8431927038968	Each	u	38
	73020150	90° Bend Cover CLICK 150	P.G.	8431927038975	Each	u	38
	73020200	90° Bend Cover CLICK 200	P.G.	8431927038982	Each	u	38
	73020300	90° Bend Cover CLICK 300	P.G.	8431927038999	Each	u	38
	73020400	90° Bend Cover CLICK 400	P.G.	8431927039002	Each	u	38
	73020500	90° Bend Cover CLICK 500	P.G.	8431927039019	Each	u	38
	73020600	90° Bend Cover CLICK 600	P.G.	8431927039026	Each	u	38
	73021060	COVER 60	P.G.	8431927016133	24	m	9, 37
	73021100	COVER 100	P.G.	8431927016140	24	m	9, 37
	73021150	COVER 150	P.G.	8431927016157	12	m	9, 37
	73021200	COVER 200	P.G.	8431927016164	12	m	9, 37
	73021300	COVER 300	P.G.	8431927016171	6	m	9, 37
	73021400	COVER 400	P.G.	8431927016188	6	m	9, 37
	73021500	COVER 500	P.G.	8431927016195	6	m	9, 37
	73021600	COVER 600	P.G.	8431927016201	6	m	9, 37
	73022100	Tee Cover CLICK 100	P.G.	8431927039033	Each	u	38
	73022150	Tee Cover CLICK 150	P.G.	8431927039040	Each	u	38
	73022200	Tee Cover CLICK 200	P.G.	8431927039057	Each	u	38
	73022300	Tee Cover CLICK 300	P.G.	8431927039064	Each	u	38
	73022400	Tee Cover CLICK 400	P.G.	8431927039071	Each	u	38
	73022500	Tee Cover CLICK 500	P.G.	8431927039088	Each	u	38
	73022600	Tee Cover CLICK 600	P.G.	8431927039095	Each	u	38
	73023060	Inducanal Side Entry Cover CLICK	P.G.	8431927045003	Each	u	39
	73023100	Side Entry Cover CLICK 100	P.G.	8431927039101	Each	u	39
	73023150	Side Entry Cover CLICK 150	P.G.	8431927039118	Each	u	39
	73023200	Side Entry Cover CLICK 200	P.G.	8431927039125	Each	u	39
	73023300	Side Entry Cover CLICK 300	P.G.	8431927039132	Each	u	39
	73023400	Side Entry Cover CLICK 400	P.G.	8431927039149	Each	u	39
	73023500	Side Entry Cover CLICK 500	P.G.	8431927039156	Each	u	39
	73023600	Side Entry Cover CLICK 600	P.G.	8431927039163	Each	u	39
	73024100	Crossover Cover CLICK 100	P.G.	8431927039170	Each	u	39
	73024150	Crossover Cover CLICK 150	P.G.	8431927039187	Each	u	39
	73024200	Crossover Cover CLICK 200	P.G.	8431927039194	Each	u	39
	73024300	Crossover Cover CLICK 300	P.G.	8431927039200	Each	u	39
	73024400	Crossover Cover CLICK 400	P.G.	8431927039217	Each	u	39
	73024500	Crossover Cover CLICK 500	P.G.	8431927039224	Each	u	39
	73024600	Crossover Cover CLICK 600	P.G.	8431927039231	Each	u	39
	73025060	Inducanal Inside Riser Cover CLICK	P.G.	8431927045010	Each	u	40
	73025100	Inside Riser Cover CLICK 100	P.G.	8431927039248	Each	u	40
	73025150	Inside Riser Cover CLICK 150	P.G.	8431927039255	Each	u	40
	73025200	Inside Riser Cover CLICK 200	P.G.	8431927039262	Each	u	40
	73025300	Inside Riser Cover CLICK 300	P.G.	8431927039279	Each	u	40
	73025400	Inside Riser Cover CLICK 400	P.G.	8431927039286	Each	u	40
	73025500	Inside Riser Cover CLICK 500	P.G.	8431927039293	Each	u	40
	73025600	Inside Riser Cover CLICK 600	P.G.	8431927039309	Each	u	40
	73026060	Inducanal Outside Riser Cover CLICK	P.G.	8431927045027	Each	u	40

Product Reference Index

Reference	Product	Finish	EAN Code	Pack Unit	Unit	Page	
	73026100	Outside Riser Cover CLICK 100	P.G.	8431927039316	Each	u	40
	73026150	Outside Riser Cover CLICK 150	P.G.	8431927039323	Each	u	40
	73026200	Outside Riser Cover CLICK 200	P.G.	8431927039330	Each	u	40
	73026300	Outside Riser Cover CLICK 300	P.G.	8431927039347	Each	u	40
	73026400	Outside Riser Cover CLICK 400	P.G.	8431927039354	Each	u	40
	73026500	Outside Riser Cover CLICK 500	P.G.	8431927039361	Each	u	40
	73026600	Outside Riser Cover CLICK 600	P.G.	8431927039378	Each	u	40
7303	73030100	90° Bend Cover CLICK 100	H.D.G.*	8431927039385	Each	u	38
	73030150	90° Bend Cover CLICK 150	H.D.G.*	8431927039392	Each	u	38
	73030200	90° Bend Cover CLICK 200	H.D.G.*	8431927039408	Each	u	38
	73030300	90° Bend Cover CLICK 300	H.D.G.*	8431927039415	Each	u	38
	73030400	90° Bend Cover CLICK 400	H.D.G.*	8431927039422	Each	u	38
	73030500	90° Bend Cover CLICK 500	H.D.G.*	8431927039439	Each	u	38
	73030600	90° Bend Cover CLICK 600	H.D.G.*	8431927039446	Each	u	38
	73031060	COVER 60	H.D.G.*	8431927016218	24	m	9, 37
	73031100	COVER 100	H.D.G.*	8431927016225	24	m	9, 23, 37
	73031150	COVER 150	H.D.G.*	8431927016232	12	m	9, 23, 37
	73031200	COVER 200	H.D.G.*	8431927016249	12	m	9, 23, 37
	73031300	COVER 300	H.D.G.*	8431927016256	6	m	9, 23, 37
	73031400	COVER 400	H.D.G.*	8431927016263	6	m	9, 23, 37
	73031450	COVER 450	H.D.G.*	8431927016263	6	m	9, 23, 37
	73031500	COVER 500	H.D.G.*	8431927016270	6	m	9, 23, 37
	73031600	COVER 600	H.D.G.*	8431927016287	6	m	9, 23, 37
	73031750	COVER 750	H.D.G.*	8431927049902	6	m	23
	73031900	COVER 900	H.D.G.*	8431927049179	4	m	23
	73032100	Tee Cover CLICK 100	H.D.G.*	8431927039453	Each	u	38
	73032150	Tee Cover CLICK 150	H.D.G.*	8431927039460	Each	u	38
	73032200	Tee Cover CLICK 200	H.D.G.*	8431927039477	Each	u	38
	73032300	Tee Cover CLICK 300	H.D.G.*	8431927039484	Each	u	38
	73032400	Tee Cover CLICK 400	H.D.G.*	8431927039491	Each	u	38
	73032500	Tee Cover CLICK 500	H.D.G.*	8431927039507	Each	u	38
	73032600	Tee Cover CLICK 600	H.D.G.*	8431927039514	Each	u	38
	73033100	Side Entry Cover CLICK 100	H.D.G.*	8431927039521	Each	u	39
	73033150	Side Entry Cover CLICK 150	H.D.G.*	8431927039538	Each	u	39
	73033200	Side Entry Cover CLICK 200	H.D.G.*	8431927039545	Each	u	39
	73033300	Side Entry Cover CLICK 300	H.D.G.*	8431927039552	Each	u	39
	73033400	Side Entry Cover CLICK 400	H.D.G.*	8431927039569	Each	u	39
	73033500	Side Entry Cover CLICK 500	H.D.G.*	8431927039576	Each	u	39
	73033600	Side Entry Cover CLICK 600	H.D.G.*	8431927039583	Each	u	39
	73034100	Crossover Cover CLICK 100	H.D.G.*	8431927039590	Each	u	39
	73034150	Crossover Cover CLICK 150	H.D.G.*	8431927039606	Each	u	39
	73034200	Crossover Cover CLICK 200	H.D.G.*	8431927039613	Each	u	39
	73034300	Crossover Cover CLICK 300	H.D.G.*	8431927039620	Each	u	39
	73034400	Crossover Cover CLICK 400	H.D.G.*	8431927039637	Each	u	39
	73034500	Crossover Cover CLICK 500	H.D.G.*	8431927039644	Each	u	39
	73034600	Crossover Cover CLICK 600	H.D.G.*	8431927039651	Each	u	39
	73035100	Inside Riser Cover CLICK 100	H.D.G.*	8431927039668	Each	u	40
	73035150	Inside Riser Cover CLICK 150	H.D.G.*	8431927039675	Each	u	40
	73035200	Inside Riser Cover CLICK 200	H.D.G.*	8431927039682	Each	u	40
	73035300	Inside Riser Cover CLICK 300	H.D.G.*	8431927039699	Each	u	40
	73035400	Inside Riser Cover CLICK 400	H.D.G.*	8431927039705	Each	u	40
	73035500	Inside Riser Cover CLICK 500	H.D.G.*	8431927039712	Each	u	40
	73035600	Inside Riser Cover CLICK 600	H.D.G.*	8431927039729	Each	u	40
	73036100	Outside Riser Cover CLICK 100	H.D.G.*	8431927039736	Each	u	40
	73036150	Outside Riser Cover CLICK 150	H.D.G.*	8431927039743	Each	u	40
	73036200	Outside Riser Cover CLICK 200	H.D.G.*	8431927039750	Each	u	40
	73036300	Outside Riser Cover CLICK 300	H.D.G.*	8431927039767	Each	u	40
	73036400	Outside Riser Cover CLICK 400	H.D.G.*	8431927039774	Each	u	40
	73036500	Outside Riser Cover CLICK 500	H.D.G.*	8431927039781	Each	u	40
	73036600	Outside Riser Cover CLICK 600	H.D.G.*	8431927039798	Each	u	40
7305	73051060	COVER 60	S.S. 304	8431927078421	24	m	9
	73051100	COVER 100	S.S. 304	8431927078438	24	m	9
	73051150	COVER 150	S.S. 304	8431927078445	12	m	9
	73051200	COVER 200	S.S. 304	8431927078452	12	m	9
	73051300	COVER 300	S.S. 304	8431927078469	6	m	9

Reference	Product	Finish	EAN Code	Pack Unit	Unit	Page
	73051400 COVER 400	S.S. 304	8431927078476	6	m	9
	73051500 COVER 500	S.S. 304	8431927078483	6	m	9
	73051600 COVER 600	S.S. 304	8431927078490	6	m	9
7306	73061060 COVER 60	S.S. 316	8431927016294	24	m	9
	73061100 COVER 100	S.S. 316	8431927016300	24	m	9
	73061150 COVER 150	S.S. 316	8431927016317	12	m	9
	73061200 COVER 200	S.S. 316	8431927016324	12	m	9
	73061300 COVER 300	S.S. 316	8431927016331	6	m	9
	73061400 COVER 400	S.S. 316	8431927016348	6	m	9
	73061500 COVER 500	S.S. 316	8431927016355	6	m	9
	73061600 COVER 600	S.S. 316	8431927016362	6	m	9
7512	75121100 INDUCANAL CLICK 35x100	P.G.	8431927034977	24	m	36
	75121150 INDUCANAL CLICK 35x150	P.G.	8431927034984	12	m	36
	75121200 INDUCANAL CLICK 35x200	P.G.	8431927034991	12	m	36
	75121300 INDUCANAL CLICK 35x300	P.G.	8431927035004	12	m	36
	75122060 INDUCANAL CLICK 60x 60	P.G.	8431927011862	24	m	36
	75122100 INDUCANAL CLICK 60x100	P.G.	8431927016737	24	m	36
	75122150 INDUCANAL CLICK 60x150	P.G.	8431927016744	12	m	36
	75122200 INDUCANAL CLICK 60x200	P.G.	8431927016751	12	m	36
	75122300 INDUCANAL CLICK 60x300	P.G.	8431927035011	6	m	36
	75122400 INDUCANAL CLICK 60x400	P.G.	8431927041708	6	m	36
	75122500 INDUCANAL CLICK 60x500	P.G.	8431927041715	6	m	36
	75122600 INDUCANAL CLICK 60x600	P.G.	8431927041722	6	m	36
	75131100 INDUCANAL CLICK 35x100	H.D.G.*	8431927012852	24	m	36
	75131150 INDUCANAL CLICK 35x150	H.D.G.*	8431927012869	12	m	36
	75131200 INDUCANAL CLICK 35x200	H.D.G.*	8431927012876	12	m	36
	75131300 INDUCANAL CLICK 35x300	H.D.G.*	8431927012883	12	m	36
	75132060 INDUCANAL CLICK 60x 60	H.D.G.*	8431927047632	24	m	36
	75132100 INDUCANAL CLICK 60x100	H.D.G.*	8431927012890	24	m	36
	75132150 INDUCANAL CLICK 60x150	H.D.G.*	8431927012906	12	m	36
	75132200 INDUCANAL CLICK 60x200	H.D.G.*	8431927012913	12	m	36
	75132300 INDUCANAL CLICK 60x300	H.D.G.*	8431927012920	6	m	36
	75132400 INDUCANAL CLICK 60x400	H.D.G.*	8431927012937	6	m	36
	75132500 INDUCANAL CLICK 60x500	H.D.G.*	8431927012944	6	m	36
	75132600 INDUCANAL CLICK 60x600	H.D.G.*	8431927012951	6	m	36
7522	75223200 PEMSABAND LX PERFORATED CLICK 85X200	P.G.	8431927012708	6	m	36
	75223300 PEMSABAND LX PERFORATED CLICK 85X300	P.G.	8431927012715	6	m	36
	75223400 PEMSABAND LX PERFORATED CLICK 85X400	P.G.	8431927012722	6	m	36
	75223500 PEMSABAND LX PERFORATED CLICK 85X500	P.G.	8431927012739	6	m	36
	75223600 PEMSABAND LX PERFORATED CLICK 85X600	P.G.	8431927012746	6	m	36
	75224200 PEMSABAND LX PERFORATED CLICK 100X200	P.G.	8431927036995	6	m	36
	75224300 PEMSABAND LX PERFORATED CLICK 100X300	P.G.	8431927043696	6	m	36
	75224400 PEMSABAND LX PERFORATED CLICK 100X400	P.G.	8431927037008	6	m	36
	75224500 PEMSABAND LX PERFORATED CLICK 100X500	P.G.	8431927043702	6	m	36
	75224600 PEMSABAND LX PERFORATED CLICK 100X600	P.G.	8431927045034	6	m	36
7523	75232100 PEMSABAND SX PERFORATED CLICK 60x100	H.D.G.*	8431927012029	24	m	36
	75232150 PEMSABAND SX PERFORATED CLICK 60x150	H.D.G.*	8431927012036	12	m	36
	75232200 PEMSABAND SX PERFORATED CLICK 60X200	H.D.G.*	8431927012043	12	m	36
	75232300 PEMSABAND SX PERFORATED CLICK 60X300	H.D.G.*	8431927012050	6	m	36
	75232400 PEMSABAND SX PERFORATED CLICK 60X400	H.D.G.*	8431927012067	6	m	36
	75232500 PEMSABAND SX PERFORATED CLICK 60X500	H.D.G.*	8431927012074	6	m	36
	75232600 PEMSABAND SX PERFORATED CLICK 60X600	H.D.G.*	8431927012081	6	m	36
	75233200 PEMSABAND LX PERFORATED CLICK 85X200	H.D.G.*	8431927012753	6	m	36
	75233300 PEMSABAND LX PERFORATED CLICK 85X300	H.D.G.*	8431927012760	6	m	36
	75233400 PEMSABAND LX PERFORATED CLICK 85X400	H.D.G.*	8431927012777	6	m	36
	75233500 PEMSABAND LX PERFORATED CLICK 85X500	H.D.G.*	8431927012784	6	m	36
	75233600 PEMSABAND LX PERFORATED CLICK 85X600	H.D.G.*	8431927012791	6	m	36
	75234200 PEMSABAND LX PERFORATED CLICK 100X200	H.D.G.*	8431927043719	6	m	36
	75234300 PEMSABAND LX PERFORATED CLICK 100X300	H.D.G.*	8431927043726	6	m	36
	75234400 PEMSABAND LX PERFORATED CLICK 100X400	H.D.G.*	8431927043733	6	m	36
	75234500 PEMSABAND LX PERFORATED CLICK 100X500	H.D.G.*	8431927043740	6	m	36
	75234600 PEMSABAND LX PERFORATED CLICK 100X600	H.D.G.*	8431927045041	6	m	36
7542	75423200 INDUCANAL CLICK 85X200	P.G.	8431927012807	6	m	36
	75423300 INDUCANAL CLICK 85X300	P.G.	8431927012814	6	m	36
	75423400 INDUCANAL CLICK 85X400	P.G.	8431927012821	6	m	36

Product Reference Index

Reference	Product	Finish	EAN Code	Pack Unit	Unit	Page	
	75423500	INDUCANAL CLICK 85X500	P.G.	8431927012838	6	m	36
	75423600	INDUCANAL CLICK 85X600	P.G.	8431927012845	6	m	36
	75424200	INDUCANAL 100X200	P.G.	8431927043757	6	m	36
	75424300	INDUCANAL 100X300	P.G.	8431927043764	6	m	36
	75424400	INDUCANAL 100X400	P.G.	8431927043771	6	m	36
	75424500	INDUCANAL 100X500	P.G.	8431927043788	6	m	36
	75424600	INDUCANAL 100X600	P.G.	8431927045058	6	m	36
7543	75433200	INDUCANAL CLICK 85X200	H.D.G.*	8431927012968	6	m	36
	75433300	INDUCANAL CLICK 85X300	H.D.G.*	8431927012975	6	m	36
	75433400	INDUCANAL CLICK 85X400	H.D.G.*	8431927012982	6	m	36
	75433500	INDUCANAL CLICK 85X500	H.D.G.*	8431927012999	6	m	36
	75433600	INDUCANAL CLICK 85X600	H.D.G.*	8431927013002	6	m	36
	75434200	INDUCANAL 100X200	H.D.G.*	8431927043795	6	m	36
	75434300	INDUCANAL 100X300	H.D.G.*	8431927043801	6	m	36
	75434400	INDUCANAL 100X400	H.D.G.*	8431927043818	6	m	36
	75434500	INDUCANAL 100X500	H.D.G.*	8431927043825	6	m	36
	75434600	INDUCANAL 100X600	H.D.G.*	8431927045065	6	m	36
7552	75522100	PEMSABAND SX PERFORATED CLICK 60x100	P.G.	8431927016416	24	m	36
	75522150	PEMSABAND SX PERFORATED CLICK 60x150	P.G.	8431927016423	12	m	36
	75522200	PEMSABAND SX PERFORATED CLICK 60X200	P.G.	8431927016430	12	m	36
	75522300	PEMSABAND SX PERFORATED CLICK 60X300	P.G.	8431927034960	6	m	36
	75522400	PEMSABAND SX PERFORATED CLICK 60X400	P.G.	8431927041647	6	m	36
	75522500	PEMSABAND SX PERFORATED CLICK 60X500	P.G.	8431927041654	6	m	36
	75522600	PEMSABAND SX PERFORATED CLICK 60X600	P.G.	8431927041661	6	m	36
	75523200	PEMSABAND SX PERFORATED CLICK 85x200	P.G.	8431927052780	6	m	36
	75523300	PEMSABAND SX PERFORATED CLICK 85x300	P.G.	8431927052797	6	m	36
	75523400	PEMSABAND SX PERFORATED CLICK 85x400	P.G.	8431927052803	6	m	36
	75523500	PEMSABAND SX PERFORATED CLICK 85x500	P.G.	8431927052810	6	m	36
	75523600	PEMSABAND SX PERFORATED CLICK 85x600	P.G.	8431927052827	6	m	36
	75524200	PEMSABAND SX PERFORATED 100x200	P.G.	8431927052834	6	m	36
	75524300	PEMSABAND SX PERFORATED 100x300	P.G.	8431927052841	6	m	36
	75524400	PEMSABAND SX PERFORATED 100x400	P.G.	8431927052858	6	m	36
	75524500	PEMSABAND SX PERFORATED 100x500	P.G.	8431927052865	6	m	36
	75524600	PEMSABAND SX PERFORATED 100x600	P.G.	8431927052872	6	m	36
7553	75533200	PEMSABAND SX PERFORATED CLICK 85x200	H.D.G.*	8431927052889	6	m	36
	75533300	PEMSABAND SX PERFORATED CLICK 85x300	H.D.G.*	8431927052896	6	m	36
	75533400	PEMSABAND SX PERFORATED CLICK 85x400	H.D.G.*	8431927052902	6	m	36
	75533500	PEMSABAND SX PERFORATED CLICK 85x500	H.D.G.*	8431927052919	6	m	36
	75533600	PEMSABAND SX PERFORATED CLICK 85x600	H.D.G.*	8431927052926	6	m	36
	75534200	PEMSABAND SX PERFORATED 100x200	H.D.G.*	8431927052933	6	m	36
	75534300	PEMSABAND SX PERFORATED 100x300	H.D.G.*	8431927052940	6	m	36
	75534400	PEMSABAND SX PERFORATED 100x400	H.D.G.*	8431927052957	6	m	36
	75534500	PEMSABAND SX PERFORATED 100x500	H.D.G.*	8431927052964	6	m	36
	75534600	PEMSABAND SX PERFORATED 100x600	H.D.G.*	8431927052971	6	m	36
7582	75821100	PEMSABAND LX PERFORATED CLICK 35x100	P.G.	8431927040541	24	m	36
	75821150	PEMSABAND LX PERFORATED CLICK 35x150	P.G.	8431927040558	12	m	36
	75821200	PEMSABAND LX PERFORATED CLICK 35X200	P.G.	8431927040565	12	m	36
	75821300	PEMSABAND LX PERFORATED CLICK 35X300	P.G.	8431927040572	12	m	36
	75821400	PEMSABAND LX PERFORATED CLICK 35X400	P.G.	8431927040589	6	m	36
	75822100	PEMSABAND LX PERFORATED CLICK 60x100	P.G.	8431927040619	24	m	36
	75822150	PEMSABAND LX PERFORATED CLICK 60x150	P.G.	8431927040626	12	m	36
	75822200	PEMSABAND LX PERFORATED CLICK 60X200	P.G.	8431927040633	12	m	36
	75822300	PEMSABAND LX PERFORATED CLICK 60X300	P.G.	8431927040640	6	m	36
	75822400	PEMSABAND LX PERFORATED CLICK 60X400	P.G.	8431927040657	6	m	36
	75822500	PEMSABAND LX PERFORATED CLICK 60X500	P.G.	8431927040664	6	m	36
	75822600	PEMSABAND LX PERFORATED CLICK 60X600	P.G.	8431927040671	6	m	36
7583	75831100	PEMSABAND LX PERFORATED CLICK 35x100	H.D.G.*	8431927047342	24	m	36
	75831150	PEMSABAND LX PERFORATED CLICK 35x150	H.D.G.*	8431927047359	12	m	36
	75831200	PEMSABAND LX PERFORATED CLICK 35x200	H.D.G.*	8431927047366	12	m	36
	75831300	PEMSABAND LX PERFORATED CLICK 35x300	H.D.G.*	8431927047373	12	m	36
	75832100	PEMSABAND LX PERFORATED CLICK 60x100	H.D.G.*	8431927047397	24	m	36
	75832150	PEMSABAND LX PERFORATED CLICK 60x150	H.D.G.*	8431927047403	12	m	36
	75832200	PEMSABAND LX PERFORATED CLICK 60x200	H.D.G.*	8431927047410	12	m	36
	75832300	PEMSABAND LX PERFORATED CLICK 60x300	H.D.G.*	8431927047427	6	m	36
	75832400	PEMSABAND LX PERFORATED CLICK 60x400	H.D.G.*	8431927047434	6	m	36

Reference	Product	Finish	EAN Code	Pack Unit	Unit	Page
	75832500 PEMSABAND LX PERFORATED CLICK 60x500	H.D.G.*	8431927047441	6	m	36
	75832600 PEMSABAND LX PERFORATED CLICK 60x600	H.D.G.*	8431927047458	6	m	36
7612	76122100 PEMSABAND RX PERFORATED 60X100	P.G.	8431927046246	24	m	37
	76122200 PEMSABAND RX PERFORATED 60X200	P.G.	8431927043023	12	m	37
	76122300 PEMSABAND RX PERFORATED 60X300	P.G.	8431927043030	6	m	37
	76122400 PEMSABAND RX PERFORATED 60X400	P.G.	8431927043047	6	m	37
	76122500 PEMSABAND RX PERFORATED 60X500	P.G.	8431927043054	6	m	37
	76122600 PEMSABAND RX PERFORATED 60X600	P.G.	8431927043061	6	m	37
	76123200 PEMSABAND RX PERFORATED 85X200	P.G.	8431927043078	6	m	37
	76123300 PEMSABAND RX PERFORATED 85X300	P.G.	8431927043085	6	m	37
	76123400 PEMSABAND RX PERFORATED 85X400	P.G.	8431927043092	6	m	37
	76123500 PEMSABAND RX PERFORATED 85X500	P.G.	8431927043108	6	m	37
	76123600 PEMSABAND RX PERFORATED 85X600	P.G.	8431927043115	6	m	37
	76124200 PEMSABAND RX PERFORATED 100X200	P.G.	8431927043122	6	m	37
	76124300 PEMSABAND RX PERFORATED 100X300	P.G.	8431927043139	6	m	37
	76124400 PEMSABAND RX PERFORATED 100X400	P.G.	8431927043146	6	m	37
	76124500 PEMSABAND RX PERFORATED 100X500	P.G.	8431927043153	6	m	37
	76124600 PEMSABAND RX PERFORATED 100X600	P.G.	8431927045096	6	m	37
7613	76132100 PEMSABAND RX PERFORATED 60X100	H.D.G.*	8431927046260	24	m	37
	76132200 PEMSABAND RX PERFORATED 60X200	H.D.G.*	8431927043160	12	m	37
	76132300 PEMSABAND RX PERFORATED 60X300	H.D.G.*	8431927043177	6	m	37
	76132400 PEMSABAND RX PERFORATED 60X400	H.D.G.*	8431927043184	6	m	37
	76132500 PEMSABAND RX PERFORATED 60X500	H.D.G.*	8431927043191	6	m	37
	76132600 PEMSABAND RX PERFORATED 60X600	H.D.G.*	8431927043207	6	m	37
	76133200 PEMSABAND RX PERFORATED 85X200	H.D.G.*	8431927043214	6	m	37
	76133300 PEMSABAND RX PERFORATED 85X300	H.D.G.*	8431927043221	6	m	37
	76133400 PEMSABAND RX PERFORATED 85X400	H.D.G.*	8431927043238	6	m	37
	76133500 PEMSABAND RX PERFORATED 85X500	H.D.G.*	8431927043245	6	m	37
	76133600 PEMSABAND RX PERFORATED 85X600	H.D.G.*	8431927043252	6	m	37
	76134200 PEMSABAND RX PERFORATED 100X200	H.D.G.*	8431927043269	6	m	37
	76134300 PEMSABAND RX PERFORATED 100X300	H.D.G.*	8431927043276	6	m	37
	76134400 PEMSABAND RX PERFORATED 100X400	H.D.G.*	8431927043283	6	m	37
	76134500 PEMSABAND RX PERFORATED 100X500	H.D.G.*	8431927043290	6	m	37
	76134600 PEMSABAND RX PERFORATED 100X600	H.D.G.*	8431927045102	6	m	37
8901	89010000 IDENTIFICATION PLATE	Plastic	8431927012203	50	u	13
	89011000 REJIFIX		8431927014689	Each	25 m	12
9203	92032100 MEGABAND Ladder tray 60x100	H.D.G.*	8431927046543	3	m	23
	92032150 MEGABAND Ladder tray 60x150	H.D.G.*	8431927050236	3	m	23
	92032200 MEGABAND Ladder tray 60x200	H.D.G.*	8431927046550	3	m	23
	92032300 MEGABAND Ladder tray 60x300	H.D.G.*	8431927046567	3	m	23
	92032400 MEGABAND Ladder tray 60x400	H.D.G.*	8431927046574	3	m	23
	92032450 MEGABAND Ladder tray 60x450	H.D.G.*	8431927050243	3	m	23
	92032500 MEGABAND Ladder tray 60x500	H.D.G.*	8431927046581	3	m	23
	92032600 MEGABAND Ladder tray 60x600	H.D.G.*	8431927046598	3	m	23
	92032700 MEGABAND Ladder tray 60x700	H.D.G.*	8431927046604	3(*)	m	23
	92032800 MEGABAND Ladder tray 60x800	H.D.G.*	8431927046611	3(*)	m	23
	92032900 MEGABAND Ladder tray 60x900	H.D.G.*	8431927046628	3(*)	m	23
	92032990 MEGABAND Ladder tray 60x1000	H.D.G.*	8431927046635	3(*)	m	23
	92033100 MEGABAND Ladder tray 85x100	H.D.G.*	8431927046642	3	m	23
	92033200 MEGABAND Ladder tray 85x200	H.D.G.*	8431927046659	3	m	23
	92033300 MEGABAND Ladder tray 85x300	H.D.G.*	8431927046666	3	m	23
	92033400 MEGABAND Ladder tray 85x400	H.D.G.*	8431927046673	3	m	23
	92033500 MEGABAND Ladder tray 85x500	H.D.G.*	8431927046680	3	m	23
	92033600 MEGABAND Ladder tray 85x600	H.D.G.*	8431927046697	3	m	23
	92033700 MEGABAND Ladder tray 85x700	H.D.G.*	8431927046703	3(*)	m	23
	92033800 MEGABAND Ladder tray 85x800	H.D.G.*	8431927046710	3(*)	m	23
	92033900 MEGABAND Ladder tray 85x900	H.D.G.*	8431927046727	3(*)	m	23
	92033990 MEGABAND Ladder tray 85x1000	H.D.G.*	8431927046734	3(*)	m	23
	92034100 MEGABAND Ladder tray 100x100	H.D.G.*	8431927046741	3	m	23
	92034150 MEGABAND Ladder tray 100x150	H.D.G.*	8431927050250	3	m	23
	92034200 MEGABAND Ladder tray 100x200	H.D.G.*	8431927046758	3	m	23
	92034300 MEGABAND Ladder tray 100x300	H.D.G.*	8431927046765	3	m	23
	92034400 MEGABAND Ladder tray 100x400	H.D.G.*	8431927046772	3	m	23
	92034450 MEGABAND Ladder tray 100x450	H.D.G.*	8431927050267	3	m	23
	92034500 MEGABAND Ladder tray 100x500	H.D.G.*	8431927046789	3	m	23

Product Reference Index

Reference	Product	Finish	EAN Code	Pack Unit	Unit	Page	
92034600	MEGABAND Ladder tray 100x600	H.D.G.*	8431927046796	3	m	23	
92034700	MEGABAND Ladder tray 100x700	H.D.G.*	8431927046802	3(*)	m	23	
92034750	MEGABAND Ladder tray 100x750	H.D.G.*	8431927050274	3(*)	m	23	
92034800	MEGABAND Ladder tray 100x800	H.D.G.*	8431927046819	3(*)	m	23	
92034900	MEGABAND Ladder tray 100x900	H.D.G.*	8431927046826	3(*)	m	23	
92034990	MEGABAND Ladder tray 100x1000	H.D.G.*	8431927046833	3(*)	m	23	
92035100	MEGABAND Ladder tray 120x100	H.D.G.*	8431927046840	3	m	23	
92035150	MEGABAND Ladder tray 120x150	H.D.G.*	8431927050281	3	m	23	
92035200	MEGABAND Ladder tray 120x200	H.D.G.*	8431927046857	3	m	23	
92035300	MEGABAND Ladder tray 120x300	H.D.G.*	8431927046864	3	m	23	
92035400	MEGABAND Ladder tray 120x400	H.D.G.*	8431927046871	3	m	23	
92035450	MEGABAND Ladder tray 120x450	H.D.G.*	8431927050298	3	m	23	
92035500	MEGABAND Ladder tray 120x500	H.D.G.*	8431927046888	3	m	23	
92035600	MEGABAND Ladder tray 120x600	H.D.G.*	8431927046895	3	m	23	
92035700	MEGABAND Ladder tray 120x700	H.D.G.*	8431927046901	3(*)	m	23	
92035750	MEGABAND Ladder tray 120x750	H.D.G.*	8431927050304	3(*)	m	23	
92035800	MEGABAND Ladder tray 120x800	H.D.G.*	8431927046918	3(*)	m	23	
92035900	MEGABAND Ladder tray 120x900	H.D.G.*	8431927046925	3(*)	m	23	
92035990	MEGABAND Ladder tray 120x1000	H.D.G.*	8431927046932	3(*)	m	23	
9213	92132100	MEGABAND Ladder tray 60x100x6 m	H.D.G.*	8431927046949	6	m	23
	92132150	MEGABAND Ladder tray 60x150x6 m	H.D.G.*	On Request	6	m	23
	92132200	MEGABAND Ladder tray 60x200x6 m	H.D.G.*	8431927046956	6	m	23
	92132300	MEGABAND Ladder tray 60x300x6 m	H.D.G.*	8431927046963	6	m	23
	92132400	MEGABAND Ladder tray 60x400x6 m	H.D.G.*	8431927046970	6	m	23
	92132450	MEGABAND Ladder tray 60x450x6 m	H.D.G.*	On Request	6	m	23
	92132500	MEGABAND Ladder tray 60x500x6 m	H.D.G.*	8431927046987	6	m	23
	92132600	MEGABAND Ladder tray 60x600x6 m	H.D.G.*	8431927046994	6	m	23
	92132700	MEGABAND Ladder tray 60x700x6 m	H.D.G.*	8431927047007	6(*)	m	23
	92132800	MEGABAND Ladder tray 60x800x6 m	H.D.G.*	8431927047014	6(*)	m	23
	92132900	MEGABAND Ladder tray 60x900x6 m	H.D.G.*	8431927047021	6(*)	m	23
	92132990	MEGABAND Ladder tray 60x1000x6 m	H.D.G.*	8431927047038	6(*)	m	23
	92133100	MEGABAND Ladder tray 85x100x6 m	H.D.G.*	8431927047045	6	m	23
	92133200	MEGABAND Ladder tray 85x200x6 m	H.D.G.*	8431927047052	6	m	23
	92133300	MEGABAND Ladder tray 85x300x6 m	H.D.G.*	8431927047069	6	m	23
	92133400	MEGABAND Ladder tray 85x400x6 m	H.D.G.*	8431927047076	6	m	23
	92133500	MEGABAND Ladder tray 85x500x6 m	H.D.G.*	8431927047083	6	m	23
	92133600	MEGABAND Ladder tray 85x600x6 m	H.D.G.*	8431927047090	6	m	23
	92133700	MEGABAND Ladder tray 85x700x6 m	H.D.G.*	8431927047106	6(*)	m	23
	92133800	MEGABAND Ladder tray 85x800x6 m	H.D.G.*	8431927047113	6(*)	m	23
	92133900	MEGABAND Ladder tray 85x900x6 m	H.D.G.*	8431927047120	6(*)	m	23
	92133990	MEGABAND Ladder tray 85x1000x6 m	H.D.G.*	8431927047137	6(*)	m	23
	92134100	MEGABAND Ladder tray 100x100x6 m	H.D.G.*	8431927047144	6	m	23
	92134150	MEGABAND Ladder tray 100x150x6 m	H.D.G.*	On Request	6	m	23
	92134200	MEGABAND Ladder tray 100x200x6 m	H.D.G.*	8431927047151	6	m	23
	92134300	MEGABAND Ladder tray 100x300x6 m	H.D.G.*	8431927047168	6	m	23
	92134400	MEGABAND Ladder tray 100x400x6 m	H.D.G.*	8431927047175	6	m	23
	92134450	MEGABAND Ladder tray 100x450x6 m	H.D.G.*	On Request	6	m	23
	92134500	MEGABAND Ladder tray 100x500x6 m	H.D.G.*	8431927047182	6	m	23
	92134600	MEGABAND Ladder tray 100x600x6 m	H.D.G.*	8431927047199	6	m	23
	92134700	MEGABAND Ladder tray 100x700x6 m	H.D.G.*	8431927047205	6(*)	m	23
	92134750	MEGABAND Ladder tray 100x750x6 m	H.D.G.*	On Request	6(*)	m	23
	92134800	MEGABAND Ladder tray 100x800x6 m	H.D.G.*	8431927047212	6(*)	m	23
	92134900	MEGABAND Ladder tray 100x900x6 m	H.D.G.*	8431927047229	6(*)	m	23
	92134990	MEGABAND Ladder tray 100x1000x6 m	H.D.G.*	8431927047236	6(*)	m	23
	92135100	MEGABAND Ladder tray 120x100x6 m	H.D.G.*	8431927047243	6	m	23
	92135150	MEGABAND Ladder tray 120x150x6 m	H.D.G.*	On Request	6	m	23
	92135200	MEGABAND Ladder tray 120x200x6 m	H.D.G.*	8431927047250	6	m	23
	92135300	MEGABAND Ladder tray 120x300x6 m	H.D.G.*	8431927047267	6	m	23
	92135400	MEGABAND Ladder tray 120x400x6 m	H.D.G.*	8431927047274	6	m	23
	92135450	MEGABAND Ladder tray 120x450x6 m	H.D.G.*	On Request	6	m	23
	92135500	MEGABAND Ladder tray 120x500x6 m	H.D.G.*	8431927047281	6	m	23
	92135600	MEGABAND Ladder tray 120x600x6 m	H.D.G.*	8431927047298	6	m	23
	92135700	MEGABAND Ladder tray 120x700x6 m	H.D.G.*	8431927047304	6(*)	m	23
	92135750	MEGABAND Ladder tray 120x750x6 m	H.D.G.*	On Request	6(*)	m	23
	92135800	MEGABAND Ladder tray 120x800x6 m	H.D.G.*	8431927047311	6(*)	m	23

Reference	Product	Finish	EAN Code	Pack Unit	Unit	Page
	92135900 MEGABAND Ladder tray 120x900x6 m	H.D.G.*	8431927047328	6(*)	m	23
	92135990 MEGABAND Ladder tray 120x1000x6 m	H.D.G.*	8431927047335	6(*)	m	23
9303	93032100 90° Bend MEGABAND 60x 100	H.D.G.*	8431927047717	Each	u	24
	93032150 90° Bend MEGABAND 60x 150	H.D.G.*	8431927050342	Each	u	24
	93032200 90° Bend MEGABAND 60x 200	H.D.G.*	8431927047724	Each	u	24
	93032300 90° Bend MEGABAND 60x 300	H.D.G.*	8431927047731	Each	u	24
	93032400 90° Bend MEGABAND 60x 400	H.D.G.*	8431927047748	Each	u	24
	93032450 90° Bend MEGABAND 60x 450	H.D.G.*	8431927050359	Each	u	24
	93032500 90° Bend MEGABAND 60x 500	H.D.G.*	8431927047755	Each	u	24
	93032600 90° Bend MEGABAND 60x 600	H.D.G.*	8431927047762	Each	u	24
	93032700 90° Bend MEGABAND 60x 700	H.D.G.*	8431927047779	Each	u	24
	93032800 90° Bend MEGABAND 60x 800	H.D.G.*	8431927047786	Each	u	24
	93032900 90° Bend MEGABAND 60x 900	H.D.G.*	8431927047793	Each	u	24
	93032990 90° Bend MEGABAND 60x1000	H.D.G.*	8431927047809	Each	u	24
	93033100 90° Bend MEGABAND 85x 100	H.D.G.*	8431927047816	Each	u	24
	93033200 90° Bend MEGABAND 85x 200	H.D.G.*	8431927047823	Each	u	24
	93033300 90° Bend MEGABAND 85x 300	H.D.G.*	8431927047830	Each	u	24
	93033400 90° Bend MEGABAND 85x 400	H.D.G.*	8431927047847	Each	u	24
	93033500 90° Bend MEGABAND 85x 500	H.D.G.*	8431927047854	Each	u	24
	93033600 90° Bend MEGABAND 85x 600	H.D.G.*	8431927047861	Each	u	24
	93033700 90° Bend MEGABAND 85x 700	H.D.G.*	8431927047878	Each	u	24
	93033800 90° Bend MEGABAND 85x 800	H.D.G.*	8431927047885	Each	u	24
	93033900 90° Bend MEGABAND 85x 900	H.D.G.*	8431927047892	Each	u	24
	93033990 90° Bend MEGABAND 85x1000	H.D.G.*	8431927047908	Each	u	24
	93034100 90° Bend MEGABAND 100x 100	H.D.G.*	8431927047915	Each	u	24
	93034150 90° Bend MEGABAND 100x 150	H.D.G.*	8431927050366	Each	u	24
	93034200 90° Bend MEGABAND 100x 200	H.D.G.*	8431927047922	Each	u	24
	93034300 90° Bend MEGABAND 100x 300	H.D.G.*	8431927047939	Each	u	24
	93034400 90° Bend MEGABAND 100x 400	H.D.G.*	8431927047946	Each	u	24
	93034450 90° Bend MEGABAND 100x 450	H.D.G.*	8431927050373	Each	u	24
	93034500 90° Bend MEGABAND 100x 500	H.D.G.*	8431927047953	Each	u	24
	93034600 90° Bend MEGABAND 100x 600	H.D.G.*	8431927047960	Each	u	24
	93034700 90° Bend MEGABAND 100x 700	H.D.G.*	8431927047977	Each	u	24
	93034750 90° Bend MEGABAND 100x 750	H.D.G.*	8431927050380	Each	u	24
	93034800 90° Bend MEGABAND 100x 800	H.D.G.*	8431927047984	Each	u	24
	93034900 90° Bend MEGABAND 100x 900	H.D.G.*	8431927047991	Each	u	24
	93034990 90° Bend MEGABAND 100x1000	H.D.G.*	8431927048004	Each	u	24
	93035100 90° Bend MEGABAND 120x 100	H.D.G.*	8431927048011	Each	u	24
	93035150 90° Bend MEGABAND 120x 150	H.D.G.*	8431927050397	Each	u	24
	93035200 90° Bend MEGABAND 120x 200	H.D.G.*	8431927048028	Each	u	24
	93035300 90° Bend MEGABAND 120x 300	H.D.G.*	8431927048035	Each	u	24
	93035400 90° Bend MEGABAND 120x 400	H.D.G.*	8431927048042	Each	u	24
	93035450 90° Bend MEGABAND 120x 450	H.D.G.*	8431927050403	Each	u	24
	93035500 90° Bend MEGABAND 120x 500	H.D.G.*	8431927048059	Each	u	24
	93035600 90° Bend MEGABAND 120x 600	H.D.G.*	8431927048066	Each	u	24
	93035700 90° Bend MEGABAND 120x 700	H.D.G.*	8431927048073	Each	u	24
	93035750 90° Bend MEGABAND 120x 750	H.D.G.*	8431927050410	Each	u	24
	93035800 90° Bend MEGABAND 120x 800	H.D.G.*	8431927048080	Each	u	24
	93035900 90° Bend MEGABAND 120x 900	H.D.G.*	8431927048097	Each	u	24
	93035990 90° Bend MEGABAND 120x1000	H.D.G.*	8431927048103	Each	u	24
9313	93132100 Tee MEGABAND 60x 100	H.D.G.*	8431927048110	Each	u	24
	93132150 Tee MEGABAND 60x 150	H.D.G.*	8431927050427	Each	u	24
	93132200 Tee MEGABAND 60x 200	H.D.G.*	8431927048127	Each	u	24
	93132300 Tee MEGABAND 60x 300	H.D.G.*	8431927048134	Each	u	24
	93132400 Tee MEGABAND 60x 400	H.D.G.*	8431927048141	Each	u	24
	93132450 Tee MEGABAND 60x 450	H.D.G.*	8431927050434	Each	u	24
	93132500 Tee MEGABAND 60x 500	H.D.G.*	8431927048158	Each	u	24
	93132600 Tee MEGABAND 60x 600	H.D.G.*	8431927048165	Each	u	24
	93132700 Tee MEGABAND 60x 700	H.D.G.*	8431927048172	Each	u	24
	93132800 Tee MEGABAND 60x 800	H.D.G.*	8431927048189	Each	u	24
	93132900 Tee MEGABAND 60x 900	H.D.G.*	8431927048196	Each	u	24
	93132990 Tee MEGABAND 60x1000	H.D.G.*	8431927048202	Each	u	24
	93133100 Tee MEGABAND 85x 100	H.D.G.*	8431927048219	Each	u	24
	93133200 Tee MEGABAND 85x 200	H.D.G.*	8431927048226	Each	u	24
	93133300 Tee MEGABAND 85x 300	H.D.G.*	8431927048233	Each	u	24

Product Reference Index

Reference	Product	Finish	EAN Code	Pack Unit	Unit	Page	
93133400	Tee MEGABAND 85x 400	H.D.G.*	8431927048240	Each	u	24	
93133500	Tee MEGABAND 85x 500	H.D.G.*	8431927048257	Each	u	24	
93133600	Tee MEGABAND 85x 600	H.D.G.*	8431927048264	Each	u	24	
93133700	Tee MEGABAND 85x 700	H.D.G.*	8431927048271	Each	u	24	
93133800	Tee MEGABAND 85x 800	H.D.G.*	8431927048288	Each	u	24	
93133900	Tee MEGABAND 85x 900	H.D.G.*	8431927048295	Each	u	24	
93133990	Tee MEGABAND 85x1000	H.D.G.*	8431927048301	Each	u	24	
93134100	Tee MEGABAND 100x 100	H.D.G.*	8431927048318	Each	u	24	
93134150	Tee MEGABAND 100x 150	H.D.G.*	8431927050441	Each	u	24	
93134200	Tee MEGABAND 100x 200	H.D.G.*	8431927048325	Each	u	24	
93134300	Tee MEGABAND 100x 300	H.D.G.*	8431927048332	Each	u	24	
93134400	Tee MEGABAND 100x 400	H.D.G.*	8431927048349	Each	u	24	
93134450	Tee MEGABAND 100x 450	H.D.G.*	8431927050458	Each	u	24	
93134500	Tee MEGABAND 100x 500	H.D.G.*	8431927048356	Each	u	24	
93134600	Tee MEGABAND 100x 600	H.D.G.*	8431927048363	Each	u	24	
93134700	Tee MEGABAND 100x 700	H.D.G.*	8431927048370	Each	u	24	
93134750	Tee MEGABAND 100x 750	H.D.G.*	8431927050465	Each	u	24	
93134800	Tee MEGABAND 100x 800	H.D.G.*	8431927048387	Each	u	24	
93134900	Tee MEGABAND 100x 900	H.D.G.*	8431927048394	Each	u	24	
93134990	Tee MEGABAND 100x1000	H.D.G.*	8431927048400	Each	u	24	
93135100	Tee MEGABAND 120x 100	H.D.G.*	8431927048417	Each	u	24	
93135150	Tee MEGABAND 120x 150	H.D.G.*	8431927050472	Each	u	24	
93135200	Tee MEGABAND 120x 200	H.D.G.*	8431927048424	Each	u	24	
93135300	Tee MEGABAND 120x 300	H.D.G.*	8431927048431	Each	u	24	
93135400	Tee MEGABAND 120x 400	H.D.G.*	8431927048448	Each	u	24	
93135450	Tee MEGABAND 120x 450	H.D.G.*	8431927050489	Each	u	24	
93135500	Tee MEGABAND 120x 500	H.D.G.*	8431927048455	Each	u	24	
93135600	Tee MEGABAND 120x 600	H.D.G.*	8431927048462	Each	u	24	
93135700	Tee MEGABAND 120x 700	H.D.G.*	8431927048479	Each	u	24	
93135750	Tee MEGABAND 120x 750	H.D.G.*	8431927050496	Each	u	24	
93135800	Tee MEGABAND 120x 800	H.D.G.*	8431927048486	Each	u	24	
93135900	Tee MEGABAND 120x 900	H.D.G.*	8431927048493	Each	u	24	
93135990	Tee MEGABAND 120x1000	H.D.G.*	8431927048509	Each	u	24	
9323	93232100	Crossover MEGABAND 60x 100	H.D.G.*	8431927048516	Each	u	24
	93232150	Crossover MEGABAND 60x 150	H.D.G.*	8431927050502	Each	u	24
	93232200	Crossover MEGABAND 60x 200	H.D.G.*	8431927048523	Each	u	24
	93232300	Crossover MEGABAND 60x 300	H.D.G.*	8431927048530	Each	u	24
	93232400	Crossover MEGABAND 60x 400	H.D.G.*	8431927048547	Each	u	24
	93232450	Crossover MEGABAND 60x 450	H.D.G.*	8431927050519	Each	u	24
	93232500	Crossover MEGABAND 60x 500	H.D.G.*	8431927048554	Each	u	24
	93232600	Crossover MEGABAND 60x 600	H.D.G.*	8431927048561	Each	u	24
	93232700	Crossover MEGABAND 60x 700	H.D.G.*	8431927048578	Each	u	24
	93232800	Crossover MEGABAND 60x 800	H.D.G.*	8431927048585	Each	u	24
	93232900	Crossover MEGABAND 60x 900	H.D.G.*	8431927048592	Each	u	24
	93232990	Crossover MEGABAND 60x1000	H.D.G.*	8431927048608	Each	u	24
	93233100	Crossover MEGABAND 85x 100	H.D.G.*	8431927048615	Each	u	24
	93233200	Crossover MEGABAND 85x 200	H.D.G.*	8431927048622	Each	u	24
	93233300	Crossover MEGABAND 85x 300	H.D.G.*	8431927048639	Each	u	24
	93233400	Crossover MEGABAND 85x 400	H.D.G.*	8431927048646	Each	u	24
	93233500	Crossover MEGABAND 85x 500	H.D.G.*	8431927048653	Each	u	24
	93233600	Crossover MEGABAND 85x 600	H.D.G.*	8431927048660	Each	u	24
	93233700	Crossover MEGABAND 85x 700	H.D.G.*	8431927048677	Each	u	24
	93233800	Crossover MEGABAND 85x 800	H.D.G.*	8431927048684	Each	u	24
	93233900	Crossover MEGABAND 85x 900	H.D.G.*	8431927048691	Each	u	24
	93233990	Crossover MEGABAND 85x1000	H.D.G.*	8431927048707	Each	u	24
	93234100	Crossover MEGABAND 100x 100	H.D.G.*	8431927048714	Each	u	24
	93234150	Crossover MEGABAND 100x 150	H.D.G.*	8431927050526	Each	u	24
	93234200	Crossover MEGABAND 100x 200	H.D.G.*	8431927048721	Each	u	24
	93234300	Crossover MEGABAND 100x 300	H.D.G.*	8431927048738	Each	u	24
	93234400	Crossover MEGABAND 100x 400	H.D.G.*	8431927048745	Each	u	24
	93234450	Crossover MEGABAND 100x 450	H.D.G.*	8431927050533	Each	u	24
	93234500	Crossover MEGABAND 100x 500	H.D.G.*	8431927048752	Each	u	24
	93234600	Crossover MEGABAND 100x 600	H.D.G.*	8431927048769	Each	u	24
	93234700	Crossover MEGABAND 100x 700	H.D.G.*	8431927048776	Each	u	24
	93234750	Crossover MEGABAND 100x 750	H.D.G.*	8431927050540	Each	u	24

Reference	Product	Finish	EAN Code	Pack Unit	Unit	Page	
	93234800	Crossover MEGABAND 100x 800	H.D.G.*	8431927048783	Each	u	24
	93234900	Crossover MEGABAND 100x 900	H.D.G.*	8431927048790	Each	u	24
	93234990	Crossover MEGABAND 100x1000	H.D.G.*	8431927048806	Each	u	24
	93235100	Crossover MEGABAND 120x 100	H.D.G.*	8431927048813	Each	u	24
	93235150	Crossover MEGABAND 120x 150	H.D.G.*	8431927050557	Each	u	24
	93235200	Crossover MEGABAND 120x 200	H.D.G.*	8431927048820	Each	u	24
	93235300	Crossover MEGABAND 120x 300	H.D.G.*	8431927048837	Each	u	24
	93235400	Crossover MEGABAND 120x 400	H.D.G.*	8431927048844	Each	u	24
	93235450	Crossover MEGABAND 120x 450	H.D.G.*	8431927050564	Each	u	24
	93235500	Crossover MEGABAND 120x 500	H.D.G.*	8431927048851	Each	u	24
	93235600	Crossover MEGABAND 120x 600	H.D.G.*	8431927048868	Each	u	24
	93235700	Crossover MEGABAND 120x 700	H.D.G.*	8431927048875	Each	u	24
	93235750	Crossover MEGABAND 120x 750	H.D.G.*	8431927050571	Each	u	24
	93235800	Crossover MEGABAND 120x 800	H.D.G.*	8431927048882	Each	u	24
	93235900	Crossover MEGABAND 120x 900	H.D.G.*	8431927048899	Each	u	24
	93235990	Crossover MEGABAND 120x1000	H.D.G.*	8431927048905	Each	u	24
9343	93432100	Articulated Riser Section MEGABAND 60X100	H.D.G.*	8431927049933	Each	u	26
	93432150	Articulated Riser Section MEGABAND 60X150	H.D.G.*	8431927050588	Each	u	26
	93432200	Articulated Riser Section MEGABAND 60X200	H.D.G.*	8431927049940	Each	u	26
	93432300	Articulated Riser Section MEGABAND 60X300	H.D.G.*	8431927049957	Each	u	26
	93432400	Articulated Riser Section MEGABAND 60X400	H.D.G.*	8431927049964	Each	u	26
	93432450	Articulated Riser Section MEGABAND 60X450	H.D.G.*	8431927050595	Each	u	26
	93432500	Articulated Riser Section MEGABAND 60X500	H.D.G.*	8431927049971	Each	u	26
	93432600	Articulated Riser Section MEGABAND 60X600	H.D.G.*	8431927049988	Each	u	26
	93433100	Articulated Riser Section MEGABAND 85X100	H.D.G.*	8431927049995	Each	u	26
	93433200	Articulated Riser Section MEGABAND 85X200	H.D.G.*	8431927050007	Each	u	26
	93433300	Articulated Riser Section MEGABAND 85X300	H.D.G.*	8431927050014	Each	u	26
	93433400	Articulated Riser Section MEGABAND 85X400	H.D.G.*	8431927050021	Each	u	26
	93433500	Articulated Riser Section MEGABAND 85X500	H.D.G.*	8431927050038	Each	u	26
	93433600	Articulated Riser Section MEGABAND 85X600	H.D.G.*	8431927050045	Each	u	26
	93434100	Articulated Riser Section MEGABAND 100X100	H.D.G.*	8431927050052	Each	u	26
	93434150	Articulated Riser Section MEGABAND 100X150	H.D.G.*	8431927050601	Each	u	26
	93434200	Articulated Riser Section MEGABAND 100X200	H.D.G.*	8431927050069	Each	u	26
	93434300	Articulated Riser Section MEGABAND 100X300	H.D.G.*	8431927050076	Each	u	26
	93434400	Articulated Riser Section MEGABAND 100X400	H.D.G.*	8431927050083	Each	u	26
	93434450	Articulated Riser Section MEGABAND 100X450	H.D.G.*	8431927050618	Each	u	26
	93434500	Articulated Riser Section MEGABAND 100X500	H.D.G.*	8431927050090	Each	u	26
	93434600	Articulated Riser Section MEGABAND 100X600	H.D.G.*	8431927050106	Each	u	26
	93434800	Articulated Riser Section MEGABAND 100X800	H.D.G.*	On Request	Each	u	26
	93435100	Articulated Riser Section MEGABAND 120X100	H.D.G.*	8431927050113	Each	u	26
	93435150	Articulated Riser Section MEGABAND 120X150	H.D.G.*	8431927050625	Each	u	26
	93435200	Articulated Riser Section MEGABAND 120X200	H.D.G.*	8431927050120	Each	u	26
	93435300	Articulated Riser Section MEGABAND 120X300	H.D.G.*	8431927050137	Each	u	26
	93435400	Articulated Riser Section MEGABAND 120X400	H.D.G.*	8431927050144	Each	u	26
	93435450	Articulated Riser Section MEGABAND 120X450	H.D.G.*	8431927050632	Each	u	26
	93435500	Articulated Riser Section MEGABAND 120X500	H.D.G.*	8431927050151	Each	u	26
	93435600	Articulated Riser Section MEGABAND 120X600	H.D.G.*	8431927050168	Each	u	26
9353	93532100	Inside Riser MEGABAND 60x 100	H.D.G.*	8431927051820	Each	u	26
	93532150	Inside Riser MEGABAND 60x 150	H.D.G.*	8431927051837	Each	u	26
	93532200	Inside Riser MEGABAND 60x 200	H.D.G.*	8431927051844	Each	u	26
	93532300	Inside Riser MEGABAND 60x 300	H.D.G.*	8431927051851	Each	u	26
	93532400	Inside Riser MEGABAND 60x 400	H.D.G.*	8431927051868	Each	u	26
	93532450	Inside Riser MEGABAND 60x 450	H.D.G.*	8431927051875	Each	u	26
	93532500	Inside Riser MEGABAND 60x 500	H.D.G.*	8431927051882	Each	u	26
	93532600	Inside Riser MEGABAND 60x 600	H.D.G.*	8431927051899	Each	u	26
	93532700	Inside Riser MEGABAND 60x 700	H.D.G.*	8431927051905	Each	u	26
	93532800	Inside Riser MEGABAND 60x 800	H.D.G.*	8431927051912	Each	u	26
	93532900	Inside Riser MEGABAND 60x 900	H.D.G.*	8431927051929	Each	u	26
	93532990	Inside Riser MEGABAND 60x1000	H.D.G.*	8431927051936	Each	u	26
	93533100	Inside Riser MEGABAND 85x 100	H.D.G.*	8431927051943	Each	u	26
	93533200	Inside Riser MEGABAND 85x 200	H.D.G.*	8431927051950	Each	u	26
	93533300	Inside Riser MEGABAND 85x 300	H.D.G.*	8431927051967	Each	u	26
	93533400	Inside Riser MEGABAND 85x 400	H.D.G.*	8431927051974	Each	u	26
	93533500	Inside Riser MEGABAND 85x 500	H.D.G.*	8431927051981	Each	u	26
	93533600	Inside Riser MEGABAND 85x 600	H.D.G.*	8431927051998	Each	u	26

Product Reference Index

Reference	Product	Finish	EAN Code	Pack Unit	Unit	Page	
93533700	Inside Riser MEGABAND 85x 700	H.D.G.*	8431927052001	Each	u	26	
93533800	Inside Riser MEGABAND 85x 800	H.D.G.*	8431927052018	Each	u	26	
93533900	Inside Riser MEGABAND 85x 900	H.D.G.*	8431927052025	Each	u	26	
93533990	Inside Riser MEGABAND 85x1000	H.D.G.*	8431927052032	Each	u	26	
93534100	Inside Riser MEGABAND 100x 100	H.D.G.*	8431927052049	Each	u	26	
93534150	Inside Riser MEGABAND 100x 150	H.D.G.*	8431927052056	Each	u	26	
93534200	Inside Riser MEGABAND 100x 200	H.D.G.*	8431927052063	Each	u	26	
93534300	Inside Riser MEGABAND 100x 300	H.D.G.*	8431927052070	Each	u	26	
93534400	Inside Riser MEGABAND 100x 400	H.D.G.*	8431927052087	Each	u	26	
93534450	Inside Riser MEGABAND 100x 450	H.D.G.*	8431927052094	Each	u	26	
93534500	Inside Riser MEGABAND 100x 500	H.D.G.*	8431927052100	Each	u	26	
93534600	Inside Riser MEGABAND 100x 600	H.D.G.*	8431927052117	Each	u	26	
93534700	Inside Riser MEGABAND 100x 700	H.D.G.*	8431927052124	Each	u	26	
93534750	Inside Riser MEGABAND 100x 750	H.D.G.*	8431927052131	Each	u	26	
93534800	Inside Riser MEGABAND 100x 800	H.D.G.*	8431927052148	Each	u	26	
93534900	Inside Riser MEGABAND 100x 900	H.D.G.*	8431927052155	Each	u	26	
93534990	Inside Riser MEGABAND 100x1000	H.D.G.*	8431927052162	Each	u	26	
93535100	Inside Riser MEGABAND 120x 100	H.D.G.*	8431927052179	Each	u	26	
93535150	Inside Riser MEGABAND 120x 150	H.D.G.*	8431927052186	Each	u	26	
93535200	Inside Riser MEGABAND 120x 200	H.D.G.*	8431927052193	Each	u	26	
93535300	Inside Riser MEGABAND 120x 300	H.D.G.*	8431927052209	Each	u	26	
93535400	Inside Riser MEGABAND 120x 400	H.D.G.*	8431927052216	Each	u	26	
93535450	Inside Riser MEGABAND 120x 450	H.D.G.*	8431927052223	Each	u	26	
93535500	Inside Riser MEGABAND 120x 500	H.D.G.*	8431927052230	Each	u	26	
93535600	Inside Riser MEGABAND 120x 600	H.D.G.*	8431927052247	Each	u	26	
93535700	Inside Riser MEGABAND 120x 700	H.D.G.*	8431927052254	Each	u	26	
93535750	Inside Riser MEGABAND 120x 750	H.D.G.*	8431927052261	Each	u	26	
93535800	Inside Riser MEGABAND 120x 800	H.D.G.*	8431927052278	Each	u	26	
93535900	Inside Riser MEGABAND 120x 900	H.D.G.*	8431927052285	Each	u	26	
93535990	Inside Riser MEGABAND 120x1000	H.D.G.*	8431927052292	Each	u	26	
9363	93632100	Outside Riser MEGABAND 60x 100	H.D.G.*	8431927052308	Each	u	26
	93632150	Outside Riser MEGABAND 60x 150	H.D.G.*	8431927052315	Each	u	26
	93632200	Outside Riser MEGABAND 60x 200	H.D.G.*	8431927052322	Each	u	26
	93632300	Outside Riser MEGABAND 60x 300	H.D.G.*	8431927052339	Each	u	26
	93632400	Outside Riser MEGABAND 60x 400	H.D.G.*	8431927052346	Each	u	26
	93632450	Outside Riser MEGABAND 60x 450	H.D.G.*	8431927052353	Each	u	26
	93632500	Outside Riser MEGABAND 60x 500	H.D.G.*	8431927052360	Each	u	26
	93632600	Outside Riser MEGABAND 60x 600	H.D.G.*	8431927052377	Each	u	26
	93632700	Outside Riser MEGABAND 60x 700	H.D.G.*	8431927052384	Each	u	26
	93632800	Outside Riser MEGABAND 60x 800	H.D.G.*	8431927052391	Each	u	26
	93632900	Outside Riser MEGABAND 60x 900	H.D.G.*	8431927052407	Each	u	26
	93632990	Outside Riser MEGABAND 60x1000	H.D.G.*	8431927052414	Each	u	26
	93633100	Outside Riser MEGABAND 85x 100	H.D.G.*	8431927052421	Each	u	26
	93633200	Outside Riser MEGABAND 85x 200	H.D.G.*	8431927052438	Each	u	26
	93633300	Outside Riser MEGABAND 85x 300	H.D.G.*	8431927052445	Each	u	26
	93633400	Outside Riser MEGABAND 85x 400	H.D.G.*	8431927052452	Each	u	26
	93633500	Outside Riser MEGABAND 85x 500	H.D.G.*	8431927052469	Each	u	26
	93633600	Outside Riser MEGABAND 85x 600	H.D.G.*	8431927052476	Each	u	26
	93633700	Outside Riser MEGABAND 85x 700	H.D.G.*	8431927052483	Each	u	26
	93633800	Outside Riser MEGABAND 85x 800	H.D.G.*	8431927052490	Each	u	26
	93633900	Outside Riser MEGABAND 85x 900	H.D.G.*	8431927052506	Each	u	26
	93633990	Outside Riser MEGABAND 85x1000	H.D.G.*	8431927052513	Each	u	26
	93634100	Outside Riser MEGABAND 100x 100	H.D.G.*	8431927052520	Each	u	26
	93634150	Outside Riser MEGABAND 100x 150	H.D.G.*	8431927052537	Each	u	26
	93634200	Outside Riser MEGABAND 100x 200	H.D.G.*	8431927052544	Each	u	26
	93634300	Outside Riser MEGABAND 100x 300	H.D.G.*	8431927052551	Each	u	26
	93634400	Outside Riser MEGABAND 100x 400	H.D.G.*	8431927052568	Each	u	26
	93634450	Outside Riser MEGABAND 100x 450	H.D.G.*	8431927052575	Each	u	26
	93634500	Outside Riser MEGABAND 100x 500	H.D.G.*	8431927052582	Each	u	26
	93634600	Outside Riser MEGABAND 100x 600	H.D.G.*	8431927052599	Each	u	26
	93634700	Outside Riser MEGABAND 100x 700	H.D.G.*	8431927052606	Each	u	26
	93634750	Outside Riser MEGABAND 100x 750	H.D.G.*	8431927052612	Each	u	26
	93634800	Outside Riser MEGABAND 100x 800	H.D.G.*	8431927052629	Each	u	26
	93634900	Outside Riser MEGABAND 100x 900	H.D.G.*	8431927052636	Each	u	26
	93634990	Outside Riser MEGABAND 100x1000	H.D.G.*	8431927052643	Each	u	26

Reference	Product	Finish	EAN Code	Pack Unit	Unit	Page	
	93635100	Outside Riser MEGABAND 120x 100	H.D.G.*	8431927052650	Each	u	26
	93635150	Outside Riser MEGABAND 120x 150	H.D.G.*	8431927052667	Each	u	26
	93635200	Outside Riser MEGABAND 120x 200	H.D.G.*	8431927052674	Each	u	26
	93635300	Outside Riser MEGABAND 120x 300	H.D.G.*	8431927052681	Each	u	26
	93635400	Outside Riser MEGABAND 120x 400	H.D.G.*	8431927052698	Each	u	26
	93635450	Outside Riser MEGABAND 120x 450	H.D.G.*	8431927052704	Each	u	26
	93635500	Outside Riser MEGABAND 120x 500	H.D.G.*	8431927052711	Each	u	26
	93635600	Outside Riser MEGABAND 120x 600	H.D.G.*	8431927052728	Each	u	26
	93635700	Outside Riser MEGABAND 120x 700	H.D.G.*	8431927052735	Each	u	26
	93635750	Outside Riser MEGABAND 120x 750	H.D.G.*	8431927052742	Each	u	26
	93635800	Outside Riser MEGABAND 120x 800	H.D.G.*	8431927052759	Each	u	26
	93635900	Outside Riser MEGABAND 120x 900	H.D.G.*	8431927052766	Each	u	26
	93635990	Outside Riser MEGABAND 120x1000	H.D.G.*	8431927052773	Each	u	26
9393	93930002	Coupler MEGABAND 60	H.D.G.*	8431927048912	50	u	27
	93930003	Coupler MEGABAND 85/120	H.D.G.*	8431927048929	50	u	27
	93930004	Cable Outlet MEGABAND	H.D.G.*	8431927049193	Each	u	29
	93930005	Universal Bracket Megaband H.D.G	H.D.G.*	8431927082305	5	u	28
	93930012	Riser/Dropper MEGABAND 60	H.D.G.*	8431927048936	8	u	27
	93930013	Riser/Dropper MEGABAND 85/120	H.D.G.*	8431927048943	8	u	27
	93930021	MEGABAND Hold Down Clamp H.D.G	H.D.G.*	8431927068125	50	u	27
	93930110	Cable Metal Clamp NW10	H.D.G.*	8431927048967	Each	u	29
	93930115	Cable Metal Clamp NW15	H.D.G.*	8431927048974	Each	u	29
	93930120	Cable Metal Clamp NW20	H.D.G.*	8431927048981	Each	u	29
	93930125	Cable Metal Clamp NW25	H.D.G.*	8431927048998	Each	u	29
	93930132	Cable Metal Clamp NW32	H.D.G.*	8431927049001	Each	u	29
	93930140	Cable Metal Clamp NW40	H.D.G.*	8431927049018	Each	u	29
	93930145	Cable Metal Clamp NW45	H.D.G.*	8431927049025	Each	u	29
	93930150	Cable Metal Clamp NW50	H.D.G.*	8431927049032	Each	u	29
	93930160	Cable Metal Clamp NW60	H.D.G.*	8431927049049	Each	u	29
	93930170	Cable Metal Clamp NW70	H.D.G.*	8431927049056	Each	u	29
	93930180	Cable Metal Clamp NW80	H.D.G.*	8431927049063	Each	u	29
	93930190	Cable Metal Clamp NW90	H.D.G.*	8431927049070	Each	u	29
	93930202	Side Connector 60 H.D.G	H.D.G.*	8431927050175	Each	u	28
	93930203	Side Connector 85 H.D.G	H.D.G.*	8431927050182	Each	u	28
	93930204	Side Connector 100 H.D.G	H.D.G.*	8431927050199	Each	u	28
	93930205	Side Connector 120 H.D.G	H.D.G.*	8431927050205	Each	u	28
9403	94030100	90° Bend Cover MEGABAND 100	H.D.G.*	8431927049209	Each	u	25
	94030150	90° Bend Cover MEGABAND 150	H.D.G.*	8431927050649	Each	u	25
	94030200	90° Bend Cover MEGABAND 200	H.D.G.*	8431927049216	Each	u	25
	94030300	90° Bend Cover MEGABAND 300	H.D.G.*	8431927049223	Each	u	25
	94030400	90° Bend Cover MEGABAND 400	H.D.G.*	8431927049230	Each	u	25
	94030450	90° Bend Cover MEGABAND 450	H.D.G.*	8431927050656	Each	u	25
	94030500	90° Bend Cover MEGABAND 500	H.D.G.*	8431927049247	Each	u	25
	94030600	90° Bend Cover MEGABAND 600	H.D.G.*	8431927049254	Each	u	25
	94030700	90° Bend Cover MEGABAND 700	H.D.G.*	8431927049261	Each	u	25
	94030750	90° Bend Cover MEGABAND 750	H.D.G.*	8431927050663	Each	u	25
	94030800	90° Bend Cover MEGABAND 800	H.D.G.*	8431927049278	Each	u	25
	94030900	90° Bend Cover MEGABAND 900	H.D.G.*	8431927049285	Each	u	25
	94030990	90° Bend Cover MEGABAND 1000	H.D.G.*	8431927049292	Each	u	25
9413	94130100	Tee/Crossover Cover MEGABAND 100	H.D.G.*	8431927049308	Each	u	25
	94130150	Tee/Crossover Cover MEGABAND 150	H.D.G.*	8431927050670	Each	u	25
	94130200	Tee/Crossover Cover MEGABAND 200	H.D.G.*	8431927049315	Each	u	25
	94130300	Tee/Crossover Cover MEGABAND 300	H.D.G.*	8431927049322	Each	u	25
	94130400	Tee/Crossover Cover MEGABAND 400	H.D.G.*	8431927049339	Each	u	25
	94130450	Tee/Crossover Cover MEGABAND 450	H.D.G.*	8431927050687	Each	u	25
	94130500	Tee/Crossover Cover MEGABAND 500	H.D.G.*	8431927049346	Each	u	25
	94130600	Tee/Crossover Cover MEGABAND 600	H.D.G.*	8431927049353	Each	u	25
	94130700	Tee/Crossover Cover MEGABAND 700	H.D.G.*	8431927049360	Each	u	25
	94130750	Tee/Crossover Cover MEGABAND 750	H.D.G.*	8431927050694	Each	u	25
	94130800	Tee/Crossover Cover MEGABAND 800	H.D.G.*	8431927049377	Each	u	25
	94130900	Tee/Crossover Cover MEGABAND 900	H.D.G.*	8431927049384	Each	u	25
	94130990	Tee/Crossover Cover MEGABAND 1000	H.D.G.*	8431927049391	Each	u	25

(*) The hot dip galvanized finish is NOT AN ACCURATE AESTHETIC FINISH. It is a very effective corrosion protection. COLOUR DIFFERENCES CAN OCCUR (shades of grey), brightness and surface finish (roughness, smoothness), created during the process employed. This is normal and does NOT AFFECT THE QUALITY AND DURATION OF THE ANTI-CORROSION PROTECTION.

Terms and Conditions



1 Interpretation

- 1.1 In these Conditions, unless the context otherwise requires:
 - 1.1.1 "the Company" means Pemsa UK Limited of Unit 2, Hunslet Trading Estate, Severn Road, Leeds, LS10 1BL;
 - 1.1.2 "the Customer" means the person, firm or corporation with whom the Company contracts for the sale of the Goods upon these Conditions;
 - 1.1.3 "the Goods" means the goods (including any instalments of the goods or any part of them) which the Company is to manufacture and supply to the Customer in accordance with the Contract;
 - 1.1.4 "the Contract" means the contract for the sale and purchase of the Goods by the Customer;
 - 1.1.5 "Business day" means any day other than Saturday, Sunday or a bank or public holiday.

2 Limitation of Contract

- 2.1 All orders accepted by the Company shall be based upon these Conditions which shall override and take the place of any other terms or conditions produced or referred to by the Customer.
- 2.2 If the Customer places an order with which the Company wishes to proceed, an order confirmation (the "Confirmation") will be sent to the Customer containing details of the order. The Confirmation in conjunction with these Conditions shall form the basis of the contract between the Company and the Client. In the event of any conflict or inconsistency between these Conditions and the terms of the Confirmation, the terms of the Confirmation shall prevail. No variations shall be binding unless agreed in writing between authorised representatives of the Company and the Customer.
- 2.3 All representations, whether written or oral, made prior to the acceptance of the Customer's order by the Company are expressly excluded from the Contract, unless otherwise agreed in writing by both parties.
- 2.4 No variation of or addition to these Conditions shall be binding unless agreed in writing between an authorised representative of the Company and the Customer, and no order placed may be cancelled, deferred or varied without the written agreement of an authorised representative of the Company.

3 Prices

- 3.1 All prices quoted, price lists or estimates (whether written or oral) issued by the Company from time to time shall not bind the Company and the price charged may be adjusted to take account of any fluctuations in VAT, government duties or in the cost of manufacture unless the price was stated to be fixed and the Customer has complied in all respects with the terms and conditions specified by the Company subject to which the price was stated to be fixed.
- 3.2 Where Goods are to be delivered to a destination outside the United Kingdom, prices unless expressly stated to be otherwise, are ex-works.
- 3.3 All prices quoted are exclusive of VAT and will be subject to VAT at the rate in force at the time.

4 Cancellation

- 4.1 The Customer may cancel an order once accepted, however, cancellation of the order by the Customer for whatever reason shall entitle the Company to recover for any loss of profit and all costs, charges and expenses incurred by the Company in respect of the order up to the date of receipt by the Company of written notification of cancellation from the Customer.

5 Acceptance

- 5.1 The Company routinely inspects any Goods supplied to the Customer. If the Customer requests any bespoke or specialist testing the additional costs or expenses if any, incurred by the Company shall be charged to the Customer in addition to the price.
- 5.2 In the event that the Customer requires the testing to be carried out in its' presence or before a representative then the Customer shall attend at the Company's premises upon the Company giving notice of availability of the Goods for testing within 7 days of the date of the notice. If the Customer does not attend or if within 14 days of the Customer having attended the Customer does not notify the Company that the Goods do not accord with the Contract specifying reasons, then the Customer shall be deemed to have accepted that the Goods are in accordance with the Contract and shall not be entitled to reject them or to claim damages or compensation from the Company on the grounds of anything which the testing revealed or would have revealed if it had been carried out.
- 5.3 Irregardless of the above, the Customer shall inspect the Goods immediately upon their arrival at the delivery destination in order to ascertain:
 - 5.3.1 that the number of items and packages and the quantities are as specified and the Goods are as described in the Company's delivery note;
 - 5.3.2 whether the Goods have been damaged in transit;
 - 5.3.3 that the Goods are those specified in the Customer's order stated on the Company's Delivery Note. Any discrepancy between the Goods delivered and those described in the Company's delivery note and any damage to the Goods in transit must be notified to the Company in writing within three Business Days of receipt of the Goods. In the case of Goods damaged in transit, the Customer shall retain the damaged Goods for a period of one month from the date of receipt by the Customer during which period the Customer will permit the Company and its representatives to examine the Goods and any damage to them incurred in transit. In the case of non-delivery of the Goods the Customer must notify the Company in writing within 10 Business Days of the receipt by the Customer of the Company's delivery note.
- 5.4 The Customer shall be deemed to have accepted the Goods as being in accordance with the Contract unless within 10 Business Days of receipt of the Goods the Customer notifies the Company in writing of any defect in materials or workmanship or failure to comply with designs, drawings, specifications or other data supplied by the Customer or any other failure of the Goods to conform with the Contract which would be apparent upon such inspection and testing as it is reasonable for the Customer to undertake within such 10 Business Days.
- 5.5 Where the Goods are not manufactured by the Company, are delivered direct to the Customer by, or collected by the Customer from the manufacturer, the Company shall not be liable for any loss or damage to the Goods whatsoever and whensoever occurring.

6 Payment

- 6.1 The price for the Goods including any charges for packaging, freight, insurance or any other charge whatsoever must be paid upon presentation of a pro-forma invoice and

in any event prior to delivery. The Company reserves the right to refuse delivery if the price has not been so paid and shall not be liable for any loss caused to the Customer.

- 6.2 Where the Customer has been offered a credit account with the Company, unless otherwise agreed, payment for the Goods shall be made not later than the last day of the month following the month in which the Goods were despatched from the Company's premises. The time stipulated for payment shall be of the essence and failure to pay within the period specified shall entitle the company on the expiration of 14 days notice in writing to the Customer to suspend further performance of the Contract pending payment and in addition the Company shall be entitled without liability wholly or partly to cancel the Contract or any other contract between the Company and the Customer without prejudice to any other remedy available to the Company.
- 6.3 Where Goods are delivered by instalments, the Customer shall pay for each instalment in accordance with the terms of this Condition.
- 6.4 The Company shall be entitled to interest (as well before as after a judgment) any part of the Contract price not paid by its due date from that date until actual payment at the rate of 4% per annum above HSBC Bank plc's base lending rate prevailing from time to time during such period.
- 6.5 Unless otherwise agreed in writing the Customer shall not be entitled to set off against any monies due to the Company under the Contract, any amount claimed by or due to the Customer from the Company whether pursuant to the Contract or on any other account whatsoever.
- 6.6 Unless otherwise agreed in writing, all accounts shall be paid at the Company's registered office. Cheques and money orders shall be made payable to or to the order of the Company. Only the company's official receipt will be treated as valid.

7 Property and Title to the Goods

- 7.1 The Goods shall be at the risk of the Customer from the time at which they are loaded onto the vehicle on which they are to be delivered to the Customer whether such vehicle is the Customer's own vehicle or a third party's vehicle.
- 7.2 Notwithstanding section 7.1 the legal and beneficial ownership of the Goods shall remain with the Company until such time as the Customer shall have paid to the Company in cash or cleared funds payment in full of the price of the Goods and all other goods agreed to be sold by the Company to the Customer for which payment is due.
- 7.3 Until the title to and property in the Goods pass to the Customer the following provisions shall apply:
 - 7.3.1 The Customer shall hold the Goods solely as fiduciary agent and bailee for the Company and shall keep them separate from the Customer's own Goods or those of any third party and in a manner which makes them readily identifiable as the Goods of the Company.
 - 7.3.2 The Goods shall be properly stored, protected and insured and the Company shall be entitled to examine them in storage at any time during normal business hours and upon giving the Customer reasonable notice of its intention to do so and to enter upon any premises owned or occupied or access to which is controlled by the Customer for that purpose;
 - 7.3.3 The Company may at any time without prior notice to the Customer (and provided the Goods are still in existence and have not been resold) repossess and resell the Goods if any of the events specified in section 13 occurs or if any sum due from the Customer to the Company under the Contract or on any other account or pursuant to any other contract is not paid on the due date for payment. For the purpose of exercising its rights under this subparagraph 7.3.3 the Company, its employees or agents together with any vehicles considered by the Company to be necessary shall be entitled at any time without prior notice to the Customer to free and unrestricted entry upon and access to the Customer's premises and/or other locations where any of the Goods are situated.
- 7.4 Notwithstanding section 7.2 above the Customer may as principal in the ordinary course of business sell the Goods by bona fide sale at full market value; in which case:
 - 7.4.1 the Goods shall be deemed sold or used in the order delivered to the Customer.
 - 7.4.2 any resale by the Customer of the Goods in which property has not passed to the Customer shall (as between the Company and the Customer only) be treated as if made by the Customer as agent for the Company;
 - 7.4.3 the proceeds of sale of any Goods shall be held by the Customer in trust for the Company to the extent of all sums recoverable by the Company under section 7.2 above;
 - 7.4.4 the Customer shall keep any proceeds of sale as referred to in section 7.4.3 in a separate account and not mingled with other monies or paid into any overdrawn account and shall at all times be identifiable as the Company's money. In any event the Company shall have the right to trace such proceeds.
- 7.5 The Company may at any time appropriate to such indebtedness as it thinks fit sums received from the Customer notwithstanding any purported appropriation or designation by the Customer;
- 7.6 The rights and remedies conferred upon the Company by this section 7 are in addition to shall not in anyway prejudice, limit or restrict any other rights or remedies of the Company under the Contract.

8 Delivery

- 8.1 Any date or time given by the Company to the Customer for the delivery of the Goods is approximate only and it is not of the essence of the Contract and such failure shall not constitute a breach of contract by the Company entitling the Customer to terminate the Contract and/or to claim damages against the Company and the Company shall be entitled to an extension of the time fixed for delivery which is reasonable in all the circumstances.
- 8.2 The Company may deliver the Product in advance of the quoted delivery date on giving reasonable notice to the Customer.
- 8.3 Where the company is to make separate deliveries under a single order or where deliveries are to be made in instalments then failure to comply with any delivery date shall not be deemed to be a repudiation of the balance of the contract.
- 8.4 If the Company agrees that the Customer may collect the Goods, the Customer shall collect them within 3 days of being notified that they are ready for collection failing which the Company may despatch the Goods at the Customer's risk and expense or store them in which case the Customer shall pay the Company's reasonable storage charges and the Goods shall be stored at the Customer's risk. If the Customer requests the Company to

delay despatch of the Goods and the Company agrees to do so the Customer shall pay the Company's reasonable storage charges and the Goods shall be stored at the Customer's risk as from the date upon which the Goods are ready for despatch.

- 8.5 If the Company arrives at the Customer's desired delivery site on the delivery date and on attending the site is unable to affect delivery of the Product due to the Customer being unprepared or absent, or if the Customer fails to give the Company adequate delivery instructions at the time stated for delivery then, without limiting any other right or remedy available to the Company, the Company may store the Product until actual delivery and charge the Customer for the reasonable costs (including insurance) of storage and re-delivery.

9 Warranty and Liability

Subject to the following provisions the Company warrants that the Goods will correspond with their specification at the time of delivery and will be free from defects in material and workmanship.

- 9.1 The above warranty is given by the Company subject to the following conditions:

9.1.1 the Company shall be under no liability in respect of any defect in the Goods arising from any drawing, design or specification supplied by the Customer;

9.1.2 the Company shall be under no liability in respect of any defect arising from fair wear and tear, wilful damage, negligence, abnormal working conditions, failure to follow the Company's instructions (whether oral or in Writing), misuse or alteration or repair of the Goods without the Company's approval;

9.1.3 the Company shall be under no liability under the above warranty (or any other warranty, condition or guarantee) if the total price for the Goods has not been paid by the due date for payment;

9.1.4 the above warranty does not extend to parts, materials or equipment not manufactured by the Company, in respect of which the Customer shall only be entitled to the benefit of any such warranty or guarantee as is given by the manufacturer to the Company.

- 9.2 Subject as expressly provided in these Conditions, and except where the Goods are sold to a person dealing as a consumer (within the meaning of the Unfair Contract Terms Act 1977), all warranties, conditions or other terms implied by statute or common law are excluded to the fullest extent permitted by law.

- 9.3 Where the Goods are sold under a consumer transaction (as defined by the Consumer Transactions (Restrictions on Statements) Order 1976) the statutory rights of the Customer are not affected by these Terms.

- 9.4 Subject to section 6, a claim by the Customer which is based on any defect in the quality or condition of the Goods or their failure to correspond with specification shall (whether or not delivery is refused by the Customer) be notified to the Company within seven days from the date of delivery or (where the defect or failure was not apparent on reasonable inspection) within a reasonable time after discovery of the defect or failure. If delivery is not refused, and the Customer does not notify the Company accordingly, the Customer shall not be entitled to reject the Goods and the Company shall have no liability for such defect or failure, and the Customer shall be bound to pay the price as if the Goods had been delivered in accordance with the Contract.

- 9.5 Where a valid claim in respect of any of the Goods which is based on a defect in the quality or condition of the Goods or their failure to meet specification is notified to the Company in accordance with these Terms, the Company may replace the Goods (or the part in question) free of charge or, at the Company's sole discretion, refund to the Customer the price of the Goods (or a proportionate part of the price), in which case the Company shall have no further liability to the Customer.

- 9.6 Except in respect of death or personal injury caused by the Company's negligence, or liability for defective products under the Consumer Protection Act 1987, the Company shall not be liable to the Customer by reason of any representation (unless fraudulent), or any implied warranty, condition or other term, or any duty at common law, or under the express terms of the Contract, for loss of profit or for any indirect, special or consequential loss or damage, costs, expenses or other claims for compensation whatsoever (whether caused by the negligence of the Company, its employees or agents or otherwise) which arise out of or in connection with the supply of the Goods (including any delay in supplying or any failure to supply the Goods in accordance with the Contract or at all) or their use or resale by the Customer, and the entire liability of the Company under or in connection with the Contract shall not exceed the price of the Goods, except as expressly provided in these Terms.

10 Force Majeure

- 10.1 The Company shall not be liable or be deemed to be in breach of these Conditions by reason of any delay in performing, or any failure to perform, any of the Company's obligations in relation to the Goods, if the delay or failure was due to any cause beyond the Company's reasonable control. Without limiting the foregoing, the following shall be regarded as causes beyond the Company's reasonable control:

10.1.1 Act of God, explosion, flood, tempest, fire or accident;

10.1.2 war or threat of war, sabotage, insurrection, civil disturbance or requisition;

10.1.3 acts, restrictions, regulations, bye-laws, prohibitions or measures of any kind on the part of any governmental, parliamentary or local authority;

10.1.4 import or export regulations or embargoes;

10.1.5 strikes, lock-outs or other industrial actions or trade disputes (whether involving employees of the Company or of a third party);

10.1.6 difficulties in obtaining raw materials, labour, fuel, parts or machinery;

10.1.7 power failure or breakdown in machinery. In the event of the foregoing the Company may suspend further performance of the Contract for so long as it is so delayed or prevented and such suspension shall not constitute a breach of the Contract on the part of the Company. The Company shall inform the Customer in writing of any such suspension of performance of the Contract and if such suspension continues for more than 12 weeks either the Company or the Customer may by notice in writing to the other terminate the Contract but without prejudice to the Company's right to be paid in accordance with the Contract for any part of the Goods which may have been despatched to the Customer prior to the suspension of performance by the Company and to be reimbursed all other costs, charges and expenses incurred by the Company pursuant to the Contract up to the date of such notice of termination where it is given by the Company and up to the date of receipt thereof by the Customer where it is given by the Customer.

11 Customers own Designs

- 11.1 The Customer shall be responsible for the accuracy of its own designs and drawings and other data supplied to the Company by the Customer its employees or agents notwithstanding that the Company may have examined, inspected, studied or commented to the Customer upon any such designs, drawings, specifications or other data.

- 11.2 If the Company is required in connection with the manufacture of the Goods to carry out any research or development work all intellectual property rights therein shall be the property of the Company and the Customer shall keep confidential all information disclosed by the Company to it concerning such research and development work and shall not exploit such information for its own purposes without the prior written consent of the Company provided that the foregoing provision shall not prevent the Customer from using the Goods for whatever purpose it may think fit.

12 Intellectual Property

- 12.1 The Customer warrants that any design or instruction furnished or given to the Company shall not be such as to cause the Company to infringe any letters patent registered designs or trademarks in the execution of the Customer's order. The Customer shall indemnify the Company against all claims actions and costs made or brought against the Company (whether in England or elsewhere) in respect of the infringement of any United Kingdom or foreign patent, trademark, trade name, registered design or similar right.

13 Breach of Contract by or Insolvency of the Customer

- 13.1 If any of the following events occurs or in the opinion of the Company is reasonably likely to occur:

13.1.1 the Customer commits any breach of the Contract; or

13.1.2 any distress or execution is levied upon any of the Goods or property of the Customer and is not paid out within 7 days; or

13.1.3 the Customer (or where the Customer is a partnership any partner thereof) offers to make any arrangements with or for the benefit of its or his creditors generally or a petition is presented to make the Customer or any such partner bankrupt; or

13.1.4 the Customer (being a limited company) has an Administrative Receiver or a Receiver and Manager appointed of the whole or any part of its undertaking property or assets or a petition is presented or an order is made or a resolution is passed for the winding up of the Customer or for the appointment of an Administrator thereof the Company may without prejudice to any other rights or remedies it may have against the Customer suspend further performance of the Contract or by notice in writing to the Customer terminate the Contract as it thinks fit. Notwithstanding any such suspension or termination, the Customer shall pay the Company in accordance with the Contract for all Goods despatched by the Company up to that date and shall indemnify the Company against any loss, liability or expense incurred by the Company in connection with the Contract including (without prejudice to the generality of the foregoing) loss of profit, liabilities and expenses in connection with raw materials and tooling obtained or produced for the purposes of the Contract and the cost of labour and overhead expenses reasonably attributable to the Contract.

14 Notices

- 14.1 Any notice to be given pursuant to these Conditions shall in the case of a notice to the Company be sent to it at its registered office and shall in the case of a notice to the Customer be sent to the Customer at its registered office if the Customer is a Company and in any other case to the address of the Customer last known to the Company. Any such notice may be given by post, telex or facsimile transmission. To prove service in the case of a notice given by post it shall be sufficient to show that the notice was despatched by first class recorded delivery service in a correctly addressed and adequately stamped envelope and to prove service in the case of a notice given by telex or facsimile transmission it shall be sufficient to show that it was made to the correct telex or telephone number. Service shall be deemed to have been effected 24 hours after despatch by post telex or facsimile transmission.

15 General

- 15.1 If any clause or sub-clause of these Conditions is held by any competent authority to be invalid or unenforceable in whole or in part, the validity of the other clauses or sub-clauses and the remainder of the provisions in question shall not be affected hereby.

- 15.2 The headings to these Conditions are inserted for ease of reference and shall not affect their construction.

- 15.3 The Company may subcontract any or all of its obligations hereunder without the prior consent of the Customer.

- 15.4 Any concession granted to the Customer by the Company or any waiver by the Company of its rights under these Conditions in respect of any particular transaction or series of transactions shall not be deemed an agreement to confer the same concessions in respect of any further transactions.

- 15.5 This contract shall not bestow any rights on any third parties and to this end the Contracts (Rights of third Parties) Act 1999 is excluded to the fullest extent possible.

- 15.6 The law applicable to this contract is English law and the Customer and the Company hereby submit to the exclusive jurisdiction of the Courts of England and Wales.

16 Returns

- 16.1 The Company is under no obligation to accept for return any unwanted or over-ordered goods.

- 16.2 Any surplus goods, for return, will only be considered providing that they do not exceed 10% of the invoice value.

- 16.3 All goods are subject to a re-handling charge and inspection by the Company before being accepted for return.

- 16.4 Special order items and finishes, and goods from construction sites, will not be accepted for return by the Company.



Please consult inside the document for further information on these certifications.



**HEAD OFFICE, MANUFACTURING
AND CENTRAL STORES:**

PEMSA SPAIN

C/ Galileo Galilei, 22-24. P.E. La Garena
28806 Alcalá de Henares. Madrid
Tel.: +34 91 802 34 88 / Fax: +34 91 802 33 81
info@pemsa-rejiband.com

EXPORT OFFICE:

Tel.: +34 91 802 34 99 / Fax: +34 91 802 34 82
export@pemsa-rejiband.com

SUBSIDIARIES:

PEMSA UK:

Units 2 & 3 Hunslet Trading Estate
Severn Road, LEEDS LS10 1BL
Tel.: +44 113 277 9090
Fax: +44 113 277 5939
sales@pemsa.co.uk

PEMSA FRANCE

ZI Le clos aux pois. 12 rue de la closerie
BAT G. LISSES.
91052 Evry Cedex. Francia
Tel.: +33 01 60 86 75 65 / Fax: +33 01 60 87 11 83
service-client@pemsa.fr

PEMSA PORTUGAL

Estrada de Polima
Centro Industrial de Aboboda. Edif. Fase 2, 2º K
2785-543 São Domingos de Rana. Portugal
Tel.: +351 21 4445725 / Fax: +351 21 4445727
pemsa.portugal@pemsa-rejiband.com



Please consult inside the document for further information on these certifications.